

JOIST PRODUCTS

TELLING[®]



BUILDSTRONG[™]
.com

THE LEADER OF METAL FRAMING INNOVATION

TABLE OF CONTENTS

Strength is by design. TELLING® structural framing products are engineered C-shaped members, roll formed with the highest-grade galvanized steel available. These framing members are intended for use in curtain wall, axial load-bearing walls, floor joists and roof truss applications. TELLING structural framing is manufactured in a vast variety of web sizes, flanges and gauge configurations. We also have the ability to provide custom lengths, special packaging and markings upon request. Whatever the application and wherever the code, TELLING has the right part for the job. Check out our Structural Catalog.

Floor Joist Span Tables:

Titan Floor Joist (TJ)

Notes.....	2
Titan Floor Joists Section Properties	3
Titan Simple Spans 10 - 20 & 10 - 30 psf	4
Titan Simple Spans 10 - 40 & 10 - 50 psf	5
Titan Simple Spans 15 - 125 & 40 -125 psf	6
Titan Two Equal Spans 10 - 20 & 10-30 psf.....	7
Titan Two Equal Spans 10 - 40 & 10 - 50 psf.....	8
Titan Two Equal Spans 15 - 125 & 40 - 125 psf.....	9

Traditional Floor Joists

Notes.....	10
Traditional Floor Joist Section Properties.....	11-13

Traditional Floor Joist Span Tables:

10 psf Dead Load and 20 psf Live Load	14-17
10 psf Dead Load and 30 psf Live Load	18-20
10 psf Dead Load and 40 psf Live Load	21-23
10 psf Dead Load and 50 psf Live Load	24-26
15 psf Dead Load and 125 psf Live Load.....	27-30
40 psf Dead Load and 125 psf Live Load.....	31-34

Traditional Floor Joist Dimensional Drawings:

Kicker Connection at Steel Joist (Perpendicular)	35
Joist Bearing Detail (Concrete).....	36
Joist Bearing Detail (Steel).....	37
Joist Bearing Detail (Stud Wall).....	38
Joist Bearing Detail (Concrete).....	39
Joist Bearing Detail (Steel).....	40
Joist Bearing Detail (Stud Wall).....	41
Joist Bridge Detail.....	42
Floor Joist Opening Detail.....	43
Joist Hanger Details	44
Joist Wall Framing Detail.....	45
Joist Bearing Detail	46

TITAN FLOOR JOISTS (TJ): NOTES

Bridging Recommendations:

Floor joist bridging may be spaced as indicated below, except where member design requires an alternate spacing.

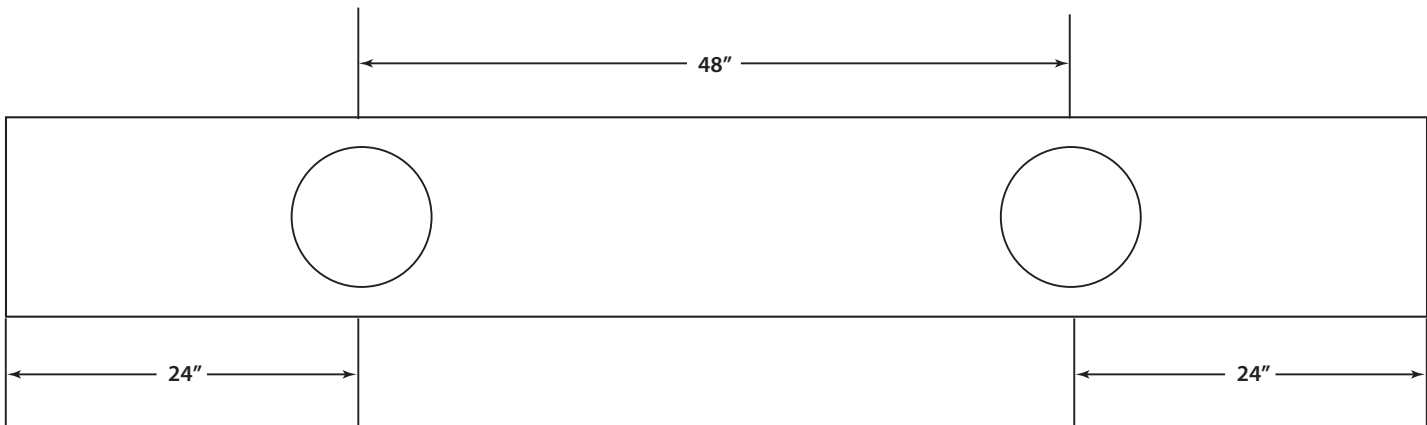
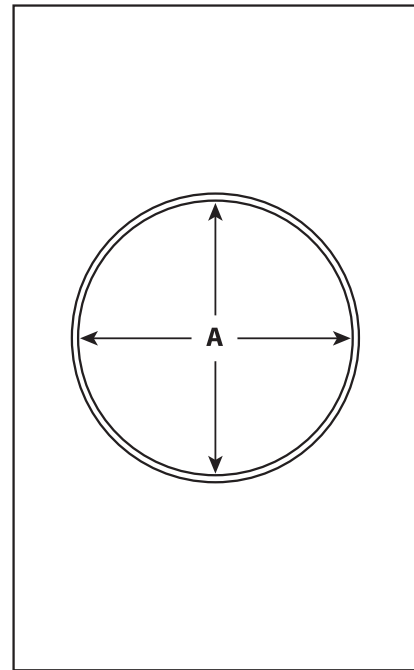
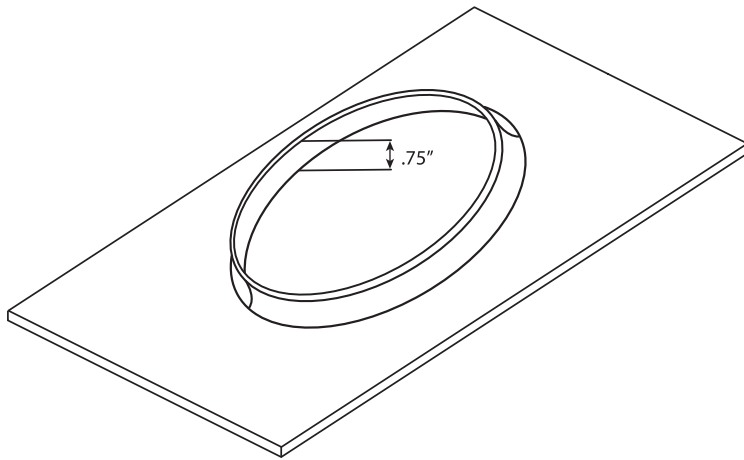
Span(ft)	Minimum Number of Rows
up to 14	1 at mid span
14 to 20	2 at 1/3 point
20 to 26	3 at 1/4 point
> 26'	8' oc

Titan Joist Hole Spacing

Joist Web (in)	Min Hole Spacing S (in)
10"	48" OC, 24" OC from Ends
12"	48" OC, 24" OC from Ends
14"	48" OC, 24" OC from Ends

Punch Hole Data

Joist Web Size	Punch Diameter	Hole Opening Size (A)	Hole Return Flange Lip
10"	6"	6.3"	0.75"
12"	8"	8.3"	0.75"
14"	10"	10.3"	0.75"



TITAN FLOOR JOISTS (TJ): SECTION PROPERTIES

TITAN FLOOR JOISTS (TJ): ROUND HOLE WITH 0.75" RETURN LIP

Section	Design	Gross Properties ²						50 ksi Effective Properties					Torsional Properties ²				
	Thickness	Area	Weight	Ixx	Rx	Iyy	Ry	Ixx	Sxx	Ma	Va(4)	Vah(5)	Jx1000	Cw	Xo	Ro	
	(in)	(in ²)	(lb/ft)	(in ⁴)	(in)	(in ⁴)	(in)	(in ⁴)	(in ³)	(in-k)	(lb)	(lb)	(in ⁴)	(in ⁶)	(in)	(in)	β
1000TJ200-54	0.0566	0.839	2.86	11.278	3.666	0.378	0.671	9.79	1.71	51.1	1661	1867	0.896	7.665	-1.135	3.896	0.915
1000TJ200-68	0.0713	1.050	3.57	13.994	3.652	0.460	0.662	12.32	2.42	72.5	3345	2351	1.779	9.401	-1.120	3.876	0.917
1000TJ200-97	0.1017	1.474	5.02	19.336	3.622	0.609	0.643	17.54	3.74	112.0	9864	5343	5.082	12.679	-1.088	3.836	0.920
1000TJ250-54	0.0566	0.896	3.05	12.677	3.762	0.653	0.854	11.39	1.88	56.3	1661	1867	0.957	12.922	-1.505	4.140	0.868
1000TJ250-68	0.0713	1.121	3.81	15.751	3.749	0.799	0.844	14.17	2.77	82.9	3345	2351	1.899	15.909	-1.488	4.121	0.870
1000TJ250-97	0.1017	1.576	5.36	21.827	3.722	1.072	0.825	19.64	4.18	140.6	9864	5343	5.433	21.632	-1.454	4.080	0.873
1000TJ300-54	0.0566	0.960	3.27	14.210	3.848	1.059	1.050	12.30	1.99	59.5	1661	1867	1.025	20.788	-1.933	4.432	0.810
1000TJ300-68	0.0713	1.201	4.09	17.677	3.836	1.302	1.041	15.31	2.88	86.3	3345	2351	2.035	25.668	-1.915	4.412	0.812
1000TJ300-97	0.1017	1.690	5.75	24.558	3.812	1.764	1.022	21.84	4.59	137.5	9864	5343	5.827	35.113	-1.879	4.371	0.815
1200TJ200-54 ¹	0.0566	0.953	3.24	17.662	4.306	0.393	0.643	15.94	2.07	62.1	1377	1860	1.017	11.550	-1.032	4.474	0.947
1200TJ200-68	0.0713	1.192	4.06	21.947	4.291	0.479	0.634	19.26	2.96	88.7	2771	2570	2.020	14.176	-1.017	4.455	0.948
1200TJ200-97	0.1017	1.677	5.71	30.417	4.258	0.635	0.615	28.06	4.66	139.5	8147	3342	5.783	19.150	-0.987	4.414	0.950
1200TJ250-54 ¹	0.0566	1.009	3.43	19.681	4.416	0.683	0.823	16.59	2.15	64.3	1377	1860	1.078	19.505	-1.378	4.699	0.914
1200TJ250-68	0.0713	1.263	4.30	24.484	4.402	0.836	0.813	21.22	3.01	90.0	2771	2570	2.141	24.034	-1.362	4.679	0.915
1200TJ250-97	0.1017	1.779	6.05	34.016	4.373	1.121	0.794	30.45	5.04	150.8	8147	3342	6.134	32.734	-1.329	4.639	0.918
1200TJ300-54 ¹	0.0566	1.073	3.65	21.901	4.518	1.112	1.018	20.33	2.37	71.0	1377	1860	1.146	31.326	-1.781	4.962	0.871
1200TJ300-68	0.0713	1.344	4.57	27.274	4.505	1.367	1.009	25.61	3.41	102.2	2771	2570	2.277	38.711	-1.764	4.943	0.873
1200TJ300-97	0.1017	1.894	6.44	37.979	4.478	1.852	0.989	34.27	5.94	178.0	8147	3342	6.528	53.048	-1.730	4.902	0.875
1400TJ200-68	0.0713	1.335	4.54	32.284	4.918	0.494	0.608	27.28	3.51	104.9	2365	2680	2.262	20.083	-0.932	5.043	0.966
1400TJ200-97	0.1017	1.881	6.40	44.853	4.883	0.655	0.590	40.36	5.58	167.1	6939	5002	6.484	27.156	-0.904	5.001	0.967
1400TJ250-68	0.0713	1.406	4.78	35.743	5.042	0.865	0.784	30.21	3.55	106.3	2365	2680	2.383	34.118	-1.257	5.255	0.943
1400TJ250-97	0.1017	1.983	6.75	49.764	5.010	1.160	0.765	43.79	6.01	180.0	6939	5002	6.835	46.520	-1.225	5.214	0.945
1400TJ300-68	0.0713	1.486	5.06	39.559	5.159	1.420	0.977	34.51	3.76	112.5	2365	2680	2.519	54.930	-1.637	5.500	0.911
1400TJ300-97	0.1017	2.097	7.14	55.186	5.130	1.924	0.958	49.22	6.51	195.0	6939	5002	7.230	75.361	-1.604	5.460	0.914

Notes:

1. Web-height to thickness ratio exceeds 200. Web Stiffeners are required at all support points, end conditions and concentrated loads.
2. Gross and Torsional Properties are based on the full, unreduced section, away from lip reinforced holes.
3. Effective section modulus, Sxx, and allowable moment, Ma, are calculated for an unperforated section. Independent confirmatory tests have been performed showing that the flexural strength for these sections is predictable using NASPEC formulations for unperforated members.
4. Effective moment of inertia has been reduced based on testing. For sections without tests, values are interpolated or extrapolated.
5. Listed allowable shear, Va, is based on the full web away from lip reinforced holes.
6. Listed allowable shear, Vah, is based on tests including interpolation/extrapolation of untested sections for shear at the perforations.

TITAN FLOOR JOISTS (TJ) SIMPLE SPANS

10 psf DL, 20 psf LL

Controlling Allowable Span: L/360 LL Defl.

Section	12	16	24
1000TJ200-54	27'-9"	25'-2"	22'-0"
1000TJ200-68	29'-11"	27'-2"	23'-9"
1000TJ200-97	33'-8"	30'-7"	26'-9"
1000TJ250-54	29'-2"	26'-6"	23'-2"
1000TJ250-68	31'-4"	28'-6"	24'-11"
1000TJ250-97	35'-0"	31'-9"	27'-9"
1000TJ300-54	29'-11"	27'-2"	23'-9"
1000TJ300-68	32'-2"	29'-3"	25'-6"
1000TJ300-97	36'-3"	32'-11"	28'-9"
1200TJ200-54 ¹	32'-7"	29'-8"	25'-11"
1200TJ200-68	34'-9"	31'-7"	27'-7"
1200TJ200-97	39'-5"	35'-9"	31'-3"
1200TJ250-54 ¹	33'-1"	30'-0"	26'-3"
1200TJ250-68	35'-11"	32'-7"	28'-6"
1200TJ250-97	40'-6"	36'-9"	32'-1"
1200TJ300-54 ¹	35'-4"	32'-2"	28'-1"
1200TJ300-68	38'-2"	34'-9"	30'-4"
1200TJ300-97	42'-1"	38'-3"	33'-5"
1400TJ200-68	39'-0"	35'-5"	31'-0"
1400TJ200-97	44'-6"	40'-5"	35'-3"
1400TJ250-68	40'-4"	36'-8"	32'-0"
1400TJ250-97	45'-8"	41'-6"	36'-3"
1400TJ300-68	42'-2"	38'-4"	33'-6"
1400TJ300-97	47'-6"	43'-2"	37'-8"

10 psf DL, 20 psf LL

Controlling Allowable Span: L/480 LL Defl.

Section	12	16	24
1000TJ200-54	25'-2"	22'-10"	20'-0"
1000TJ200-68	27'-2"	24'-8"	21'-7"
1000TJ200-97	30'-7"	27'-10"	24'-3"
1000TJ250-54	26'-6"	24'-1"	21'-0"
1000TJ250-68	28'-6"	25'-11"	22'-7"
1000TJ250-97	31'-9"	28'-10"	25'-2"
1000TJ300-54	27'-2"	24'-8"	21'-7"
1000TJ300-68	29'-3"	26'-7"	23'-2"
1000TJ300-97	32'-11"	29'-11"	26'-1"
1200TJ200-54 ¹	29'-8"	26'-11"	23'-6"
1200TJ200-68	31'-7"	28'-8"	25'-0"
1200TJ200-97	35'-9"	32'-6"	28'-5"
1200TJ250-54 ¹	30'-0"	27'-3"	23'-10"
1200TJ250-68	32'-7"	29'-7"	25'-10"
1200TJ250-97	36'-9"	33'-5"	29'-2"
1200TJ300-54 ¹	32'-2"	29'-2"	25'-6"
1200TJ300-68	34'-9"	31'-6"	27'-6"
1200TJ300-97	38'-3"	34'-9"	30'-4"
1400TJ200-68	35'-5"	32'-2"	28'-2"
1400TJ200-97	40'-5"	36'-8"	32'-1"
1400TJ250-68	36'-8"	33'-4"	29'-1"
1400TJ250-97	41'-6"	37'-9"	32'-11"
1400TJ300-68	38'-4"	34'-10"	30'-5"
1400TJ300-97	43'-2"	39'-3"	34'-3"

10 psf DL, 30 psf LL

Controlling Allowable Span: L/360 LL Defl.

Section	12	16	24
1000TJ200-54	24'-2"	22'-0"	19'-2"
1000TJ200-68	26'-2"	23'-9"	20'-9"
1000TJ200-97	29'-5"	26'-9"	23'-4"
1000TJ250-54	25'-6"	23'-2"	20'-2"
1000TJ250-68	27'-5"	24'-11"	21'-9"
1000TJ250-97	30'-7"	27'-9"	24'-3"
1000TJ300-54	26'-2"	23'-9"	20'-9"
1000TJ300-68	28'-1"	25'-6"	22'-4"
1000TJ300-97	31'-8"	28'-9"	25'-1"
1200TJ200-54 ¹	28'-6"	25'-11"	22'-7"
1200TJ200-68	30'-4"	27'-7"	24'-1"
1200TJ200-97	34'-5"	31'-3"	27'-4"
1200TJ250-54 ¹	28'-10"	26'-3"	22'-11"
1200TJ250-68	31'-4"	28'-6"	24'-10"
1200TJ250-97	35'-4"	32'-1"	28'-1"
1200TJ300-54 ¹	30'-11"	28'-1"	24'-3"
1200TJ300-68	33'-4"	30'-4"	26'-6"
1200TJ300-97	36'-9"	33'-5"	29'-2"
1400TJ200-68	34'-1"	31'-0"	27'-1"
1400TJ200-97	38'-10"	35'-3"	30'-10"
1400TJ250-68	35'-3"	32'-0"	28'-0"
1400TJ250-97	39'-11"	36'-3"	31'-8"
1400TJ300-68	36'-10"	33'-6"	29'-3"
1400TJ300-97	41'-6"	37'-8"	32'-11"

10 psf DL, 30 psf LL

Controlling Allowable Span: L/480 LL Defl.

Section	12	16	24
1000TJ200-54	22'-0"	20'-0"	17'-5"
1000TJ200-68	23'-9"	21'-7"	18'-10"
1000TJ200-97	26'-9"	24'-3"	21'-2"
1000TJ250-54	23'-2"	21'-0"	18'-4"
1000TJ250-68	24'-11"	22'-7"	19'-9"
1000TJ250-97	27'-9"	25'-2"	22'-0"
1000TJ300-54	23'-9"	21'-7"	18'-10"
1000TJ300-68	25'-6"	23'-2"	20'-3"
1000TJ300-97	28'-9"	26'-1"	22'-10"
1200TJ200-54 ¹	25'-11"	23'-6"	20'-6"
1200TJ200-68	27'-7"	25'-0"	21'-10"
1200TJ200-97	31'-3"	28'-5"	24'-10"
1200TJ250-54 ¹	26'-3"	23'-10"	20'-10"
1200TJ250-68	28'-6"	25'-10"	22'-7"
1200TJ250-97	32'-1"	29'-2"	25'-6"
1200TJ300-54 ¹	28'-1"	25'-6"	22'-3"
1200TJ300-68	30'-4"	27'-6"	24'-1"
1200TJ300-97	33'-5"	30'-4"	26'-6"
1400TJ200-68	31'-0"	28'-2"	24'-7"
1400TJ200-97	35'-3"	32'-1"	28'-0"
1400TJ250-68	32'-0"	29'-1"	25'-5"
1400TJ250-97	36'-3"	32'-11"	28'-9"
1400TJ300-68	33'-6"	30'-5"	26'-7"
1400TJ300-97	37'-8"	34'-3"	29'-11"

Titan Floor Joist Simple Span Limiting Wall Height Notes (applicable for all psfs)

1. Allowable Span based on flexural strength, end shear (perforated or unperforated), L/240 Total Load deflection and Live Load (LL) deflection as noted.
2. Spans are based on continuous support of each flange over the full length of the joist.
3. Web stiffeners required at all supports
4. Joists must be braced against rotation at all supports.

TITAN FLOOR JOISTS (TJ) SIMPLE SPANS

10 psf DL, 40 psf LL

Controlling Allowable Span: L/360 LL Defl.

Section	12	16	24
1000TJ200-54	22'-0"	20'-0"	17'-5"
1000TJ200-68	23'-9"	21'-7"	18'-10"
1000TJ200-97	26'-9"	24'-3"	21'-2"
1000TJ250-54	23'-2"	21'-0"	18'-4"
1000TJ250-68	24'-11"	22'-7"	19'-9"
1000TJ250-97	27'-9"	25'-2"	22'-0"
1000TJ300-54	23'-9"	21'-7"	18'-10"
1000TJ300-68	25'-6"	23'-2"	20'-3"
1000TJ300-97	28'-9"	26'-1"	22'-10"
1200TJ200-54 ¹	25'-11"	23'-6"	20'-4"
1200TJ200-68	27'-7"	25'-0"	21'-10"
1200TJ200-97	31'-3"	28'-5"	24'-10"
1200TJ250-54 ¹	26'-3"	23'-10"	20'-8"
1200TJ250-68	28'-6"	25'-10"	22'-7"
1200TJ250-97	32'-1"	29'-2"	25'-6"
1200TJ300-54 ¹	28'-1"	25'-6"	21'-9"
1200TJ300-68	30'-4"	27'-6"	24'-1"
1200TJ300-97	33'-5"	30'-4"	26'-6"
1400TJ200-68	31'-0"	28'-2"	24'-7"
1400TJ200-97	35'-3"	32'-1"	28'-0"
1400TJ250-68	32'-0"	29'-1"	25'-5"
1400TJ250-97	36'-3"	32'-11"	28'-9"
1400TJ300-68	33'-6"	30'-5"	26'-7"
1400TJ300-97	37'-8"	34'-3"	29'-11"

10 psf DL, 40 psf LL

Controlling Allowable Span: L/480 LL Defl.

Section	12	16	24
1000TJ200-54	20'-0"	18'-2"	15'-10"
1000TJ200-68	21'-7"	19'-7"	17'-1"
1000TJ200-97	24'-3"	22'-1"	19'-3"
1000TJ250-54	21'-0"	19'-1"	16'-8"
1000TJ250-68	22'-7"	20'-6"	17'-11"
1000TJ250-97	25'-2"	22'-11"	20'-0"
1000TJ300-54	21'-7"	19'-7"	17'-1"
1000TJ300-68	23'-2"	21'-1"	18'-5"
1000TJ300-97	26'-1"	23'-9"	20'-9"
1200TJ200-54 ¹	23'-6"	21'-4"	18'-8"
1200TJ200-68	25'-0"	22'-9"	19'-10"
1200TJ200-97	28'-5"	25'-10"	22'-6"
1200TJ250-54 ¹	23'-10"	21'-8"	18'-11"
1200TJ250-68	25'-10"	23'-6"	20'-6"
1200TJ250-97	29'-2"	26'-6"	23'-2"
1200TJ300-54 ¹	25'-6"	23'-2"	20'-3"
1200TJ300-68	27'-6"	25'-0"	21'-10"
1200TJ300-97	30'-4"	27'-7"	24'-1"
1400TJ200-68	28'-2"	25'-7"	22'-4"
1400TJ200-97	32'-1"	29'-1"	25'-5"
1400TJ250-68	29'-1"	26'-5"	23'-1"
1400TJ250-97	32'-11"	29'-11"	26'-2"
1400TJ300-68	30'-5"	27'-8"	24'-2"
1400TJ300-97	34'-3"	31'-1"	27'-2"

10 psf DL, 50 psf LL

Controlling Allowable Span: L/360 LL Defl.

Section	12	16	24
1000TJ200-54	20'-5"	18'-6"	16'-2"
1000TJ200-68	22'-0"	20'-0"	17'-6"
1000TJ200-97	24'-10"	22'-6"	19'-8"
1000TJ250-54	21'-6"	19'-6"	17'-0"
1000TJ250-68	23'-1"	21'-0"	18'-4"
1000TJ250-97	25'-9"	23'-5"	20'-5"
1000TJ300-54	22'-0"	20'-0"	17'-6"
1000TJ300-68	23'-8"	21'-6"	18'-10"
1000TJ300-97	26'-8"	24'-3"	21'-2"
1200TJ200-54 ¹	24'-0"	21'-10"	18'-6"
1200TJ200-68	25'-7"	23'-3"	20'-4"
1200TJ200-97	29'-0"	26'-4"	23'-0"
1200TJ250-54 ¹	24'-4"	22'-1"	18'-10"
1200TJ250-68	26'-5"	24'-0"	21'-0"
1200TJ250-97	29'-10"	27'-1"	23'-8"
1200TJ300-54 ¹	26'-1"	23'-8"	19'-10"
1200TJ300-68	28'-2"	25'-7"	22'-4"
1200TJ300-97	31'-0"	28'-2"	24'-7"
1400TJ200-68	28'-9"	26'-1"	22'-10"
1400TJ200-97	32'-9"	29'-9"	26'-0"
1400TJ250-68	29'-9"	27'-0"	23'-7"
1400TJ250-97	33'-8"	30'-7"	26'-8"
1400TJ300-68	31'-1"	28'-3"	24'-8"
1400TJ300-97	35'-0"	31'-10"	27'-9"

10 psf DL, 50 psf LL

Controlling Allowable Span: L/480 LL Defl.

Section	12	16	24
1000TJ200-54	18'-6"	16'-10"	14'-8"
1000TJ200-68	20'-0"	18'-2"	15'-11"
1000TJ200-97	22'-6"	20'-6"	17'-10"
1000TJ250-54	19'-6"	17'-9"	15'-6"
1000TJ250-68	21'-0"	19'-1"	16'-8"
1000TJ250-97	23'-5"	21'-3"	18'-7"
1000TJ300-54	20'-0"	18'-2"	15'-11"
1000TJ300-68	21'-6"	19'-7"	17'-1"
1000TJ300-97	24'-3"	22'-0"	19'-3"
1200TJ200-54 ¹	21'-10"	19'-10"	17'-4"
1200TJ200-68	23'-3"	21'-1"	18'-5"
1200TJ200-97	26'-4"	23'-11"	20'-11"
1200TJ250-54 ¹	22'-1"	20'-1"	17'-7"
1200TJ250-68	24'-0"	21'-10"	19'-1"
1200TJ250-97	27'-1"	24'-7"	21'-6"
1200TJ300-54 ¹	23'-8"	21'-6"	18'-9"
1200TJ300-68	25'-7"	23'-3"	20'-3"
1200TJ300-97	28'-2"	25'-7"	22'-4"
1400TJ200-68	26'-1"	23'-9"	20'-9"
1400TJ200-97	29'-9"	27'-0"	23'-7"
1400TJ250-68	27'-0"	24'-6"	21'-5"
1400TJ250-97	30'-7"	27'-9"	24'-3"
1400TJ300-68	28'-3"	25'-8"	22'-5"
1400TJ300-97	31'-10"	28'-11"	25'-3"

TITAN FLOOR JOISTS (TJ) SIMPLE SPANS

15 psf DL, 125 psf LL

Controlling Allowable Span: L/360 LL Defl.

Section	12	16	24
1000TJ200-54	15'-0"	13'-6"	11'-0"
1000TJ200-68	16'-3"	14'-9"	12'-10"
1000TJ200-97	18'-3"	16'-7"	14'-6"
1000TJ250-54	15'-10"	14'-2"	11'-6"
1000TJ250-68	17'-0"	15'-5"	13'-6"
1000TJ250-97	19'-0"	17'-3"	15'-1"
1000TJ300-54	16'-3"	14'-6"	11'-10"
1000TJ300-68	17'-5"	15'-10"	13'-10"
1000TJ300-97	19'-8"	17'-10"	15'-7"
1200TJ200-54 ¹	17'-2"	14'-9"	9'-10"
1200TJ200-68	18'-10"	17'-1"	14'-6"
1200TJ200-97	21'-4"	19'-5"	16'-11"
1200TJ250-54 ¹	17'-6"	14'-9"	9'-10"
1200TJ250-68	19'-6"	17'-8"	14'-7"
1200TJ250-97	21'-11"	19'-11"	17'-5"
1200TJ300-54 ¹	18'-4"	14'-9"	9'-10"
1200TJ300-68	20'-9"	18'-10"	15'-7"
1200TJ300-97	22'-10"	20'-9"	18'-1"
1400TJ200-68	21'-2"	19'-3"	15'-9"
1400TJ200-97	24'-1"	21'-11"	19'-2"
1400TJ250-68	21'-11"	19'-5"	15'-10"
1400TJ250-97	24'-9"	22'-6"	19'-8"
1400TJ300-68	22'-11"	20'-0"	16'-4"
1400TJ300-97	25'-9"	23'-5"	20'-5"

15 psf DL, 125 psf LL

Controlling Allowable Span: L/480 LL Defl.

Section	12	16	24
1000TJ200-54	13'-8"	12'-5"	10'-10"
1000TJ200-68	14'-9"	13'-5"	11'-8"
1000TJ200-97	16'-7"	15'-1"	13'-2"
1000TJ250-54	14'-4"	13'-1"	11'-5"
1000TJ250-68	15'-5"	14'-0"	12'-3"
1000TJ250-97	17'-3"	15'-8"	13'-8"
1000TJ300-54	14'-9"	13'-5"	11'-8"
1000TJ300-68	15'-10"	14'-5"	12'-7"
1000TJ300-97	17'-10"	16'-3"	14'-2"
1200TJ200-54 ¹	16'-1"	14'-7"	9'-10"
1200TJ200-68	17'-1"	15'-7"	13'-7"
1200TJ200-97	19'-5"	17'-8"	15'-5"
1200TJ250-54 ¹	16'-3"	14'-9"	9'-10"
1200TJ250-68	17'-8"	16'-1"	14'-0"
1200TJ250-97	19'-11"	18'-1"	15'-10"
1200TJ300-54 ¹	17'-5"	14'-9"	9'-10"
1200TJ300-68	18'-10"	17'-1"	14'-11"
1200TJ300-97	20'-9"	18'-10"	16'-6"
1400TJ200-68	19'-3"	17'-6"	15'-3"
1400TJ200-97	21'-11"	19'-11"	17'-5"
1400TJ250-68	19'-11"	18'-1"	15'-9"
1400TJ250-97	22'-6"	20'-5"	17'-10"
1400TJ300-68	20'-10"	18'-11"	16'-4"
1400TJ300-97	23'-5"	21'-3"	18'-7"

40 psf DL, 125 psf LL

Controlling Allowable Span: L/360 LL Defl.

Section	12	16	24
1000TJ200-54	14'-4"	12'-5"	10'-0"
1000TJ200-68	16'-3"	14'-9"	12'-1"
1000TJ200-97	18'-3"	16'-7"	14'-6"
1000TJ250-54	15'-0"	13'-0"	10'-0"
1000TJ250-68	17'-0"	15'-5"	12'-11"
1000TJ250-97	19'-0"	17'-3"	15'-1"
1000TJ300-54	15'-6"	13'-5"	10'-0"
1000TJ300-68	17'-5"	15'-10"	13'-2"
1000TJ300-97	19'-8"	17'-10"	15'-7"
1200TJ200-54 ¹	15'-10"	12'-6"	8'-4"
1200TJ200-68	18'-10"	16'-4"	13'-4"
1200TJ200-97	21'-4"	19'-5"	16'-9"
1200TJ250-54 ¹	16'-1"	12'-6"	8'-4"
1200TJ250-68	19'-0"	16'-6"	13'-5"
1200TJ250-97	21'-11"	19'-11"	17'-5"
1200TJ300-54 ¹	16'-8"	12'-6"	8'-4"
1200TJ300-68	20'-3"	17'-7"	14'-4"
1200TJ300-97	22'-10"	20'-9"	18'-1"
1400TJ200-68	20'-7"	17'-9"	14'-4"
1400TJ200-97	24'-1"	21'-11"	18'-4"
1400TJ250-68	20'-8"	17'-11"	14'-4"
1400TJ250-97	24'-9"	22'-6"	19'-0"
1400TJ300-68	21'-3"	18'-5"	14'-4"
1400TJ300-97	25'-9"	23'-5"	19'-10"

40 psf DL, 125 psf LL

Controlling Allowable Span: L/480 LL Defl.

Section	12	16	24
1000TJ200-54	13'-8"	12'-5"	10'-0"
1000TJ200-68	14'-9"	13'-5"	11'-8"
1000TJ200-97	16'-7"	15'-1"	13'-2"
1000TJ250-54	14'-4"	13'-0"	10'-0"
1000TJ250-68	15'-5"	14'-0"	12'-3"
1000TJ250-97	17'-3"	15'-8"	13'-8"
1000TJ300-54	14'-9"	13'-5"	10'-0"
1000TJ300-68	15'-10"	14'-5"	12'-7"
1000TJ300-97	17'-10"	16'-3"	14'-2"
1200TJ200-54 ¹	15'-10"	12'-6"	8'-4"
1200TJ200-68	17'-1"	15'-7"	13'-4"
1200TJ200-97	19'-5"	17'-8"	15'-5"
1200TJ250-54 ¹	16'-1"	12'-6"	8'-4"
1200TJ250-68	17'-8"	16'-1"	13'-5"
1200TJ250-97	19'-11"	18'-1"	15'-10"
1200TJ300-54 ¹	16'-8"	12'-6"	8'-4"
1200TJ300-68	18'-10"	17'-1"	14'-4"
1200TJ300-97	20'-9"	18'-10"	16'-6"
1400TJ200-68	19'-3"	17'-6"	14'-4"
1400TJ200-97	21'-11"	19'-11"	17'-5"
1400TJ250-68	19'-11"	17'-11"	14'-4"
1400TJ250-97	22'-6"	20'-5"	17'-10"
1400TJ300-68	20'-10"	18'-5"	14'-4"
1400TJ300-97	23'-5"	21'-3"	18'-7"

TITAN FLOOR JOISTS (TJ) TWO EQUAL SPANS

10 psf DL, 20 psf LL

Controlling Allowable Span: L/360 LL Defl.

Section	12	16	24
1000TJ200-54	31'-1"	28'-3"	23'-9"
1000TJ200-68	33'-7"	30'-6"	26'-8"
1000TJ200-97	37'-10"	34'-4"	30'-0"
1000TJ250-54	32'-9"	29'-9"	25'-0"
1000TJ250-68	35'-2"	32'-0"	27'-11"
1000TJ250-97	39'-3"	35'-8"	31'-2"
1000TJ300-54	33'-7"	30'-6"	25'-8"
1000TJ300-68	36'-1"	32'-10"	28'-8"
1000TJ300-97	40'-8"	36'-11"	32'-3"
1200TJ200-54 ¹	36'-7"	32'-1"	26'-0"
1200TJ200-68	39'-0"	35'-5"	30'-11"
1200TJ200-97	44'-3"	40'-2"	35'-1"
1200TJ250-54 ¹	37'-1"	32'-8"	26'-4"
1200TJ250-68	40'-3"	36'-7"	31'-7"
1200TJ250-97	45'-5"	41'-3"	36'-1"
1200TJ300-54 ¹	39'-8"	34'-4"	27'-1"
1200TJ300-68	42'-11"	39'-0"	33'-8"
1200TJ300-97	47'-3"	42'-11"	37'-6"
1400TJ200-68	43'-10"	39'-10"	34'-1"
1400TJ200-97	49'-11"	45'-4"	39'-7"
1400TJ250-68	45'-4"	41'-2"	34'-4"
1400TJ250-97	51'-4"	46'-7"	40'-8"
1400TJ300-68	47'-5"	43'-1"	35'-4"
1400TJ300-97	53'-4"	48'-5"	42'-4"

10 psf DL, 20 psf LL

Controlling Allowable Span: L/480 LL Defl.

Section	12	16	24
1000TJ200-54	28'-3"	25'-8"	22'-5"
1000TJ200-68	30'-6"	27'-9"	24'-3"
1000TJ200-97	34'-4"	31'-2"	27'-3"
1000TJ250-54	29'-9"	27'-0"	23'-7"
1000TJ250-68	32'-0"	29'-1"	25'-4"
1000TJ250-97	35'-8"	32'-5"	28'-4"
1000TJ300-54	30'-6"	27'-9"	24'-2"
1000TJ300-68	32'-10"	29'-10"	26'-0"
1000TJ300-97	36'-11"	33'-7"	29'-4"
1200TJ200-54 ¹	33'-3"	30'-3"	26'-0"
1200TJ200-68	35'-5"	32'-2"	28'-1"
1200TJ200-97	40'-2"	36'-6"	31'-10"
1200TJ250-54 ¹	33'-9"	30'-7"	26'-4"
1200TJ250-68	36'-7"	33'-3"	29'-0"
1200TJ250-97	41'-3"	37'-6"	32'-9"
1200TJ300-54 ¹	36'-1"	32'-9"	27'-1"
1200TJ300-68	39'-0"	35'-5"	30'-11"
1200TJ300-97	42'-11"	39'-0"	34'-1"
1400TJ200-68	39'-10"	36'-2"	31'-7"
1400TJ200-97	45'-4"	41'-2"	36'-0"
1400TJ250-68	41'-2"	37'-5"	32'-8"
1400TJ250-97	46'-7"	42'-4"	37'-0"
1400TJ300-68	43'-1"	39'-1"	34'-2"
1400TJ300-97	48'-5"	44'-0"	38'-5"

10 psf DL, 30 psf LL

Controlling Allowable Span: L/360 LL Defl.

Section	12	16	24
1000TJ200-54	27'-2"	24'-8"	20'-7"
1000TJ200-68	29'-4"	26'-8"	23'-3"
1000TJ200-97	33'-0"	30'-0"	26'-2"
1000TJ250-54	28'-7"	26'-0"	21'-7"
1000TJ250-68	30'-9"	27'-11"	24'-5"
1000TJ250-97	34'-3"	31'-2"	27'-2"
1000TJ300-54	29'-4"	26'-8"	22'-3"
1000TJ300-68	31'-7"	28'-8"	25'-0"
1000TJ300-97	35'-6"	32'-3"	28'-2"
1200TJ200-54 ¹	32'-0"	27'-10"	21'-3"
1200TJ200-68	34'-1"	30'-11"	27'-0"
1200TJ200-97	38'-7"	35'-1"	30'-8"
1200TJ250-54 ¹	32'-5"	28'-4"	21'-6"
1200TJ250-68	35'-2"	32'-0"	27'-4"
1200TJ250-97	39'-8"	36'-1"	31'-6"
1200TJ300-54 ¹	34'-4"	29'-5"	22'-1"
1200TJ300-68	37'-6"	34'-0"	29'-2"
1200TJ300-97	41'-3"	37'-6"	32'-9"
1400TJ200-68	38'-3"	34'-9"	29'-6"
1400TJ200-97	43'-7"	39'-7"	34'-7"
1400TJ250-68	39'-7"	36'-0"	29'-9"
1400TJ250-97	44'-10"	40'-8"	35'-7"
1400TJ300-68	41'-5"	37'-6"	30'-7"
1400TJ300-97	46'-7"	42'-4"	37'-0"

10 psf DL, 30 psf LL

Controlling Allowable Span: L/480 LL Defl.

Section	12	16	24
1000TJ200-54	24'-8"	22'-5"	19'-7"
1000TJ200-68	26'-8"	24'-3"	21'-2"
1000TJ200-97	30'-0"	27'-3"	23'-10"
1000TJ250-54	26'-0"	23'-7"	20'-7"
1000TJ250-68	27'-11"	25'-4"	22'-2"
1000TJ250-97	31'-2"	28'-4"	24'-9"
1000TJ300-54	26'-8"	24'-2"	21'-2"
1000TJ300-68	28'-8"	26'-0"	22'-9"
1000TJ300-97	32'-3"	29'-4"	25'-7"
1200TJ200-54 ¹	29'-1"	26'-5"	21'-3"
1200TJ200-68	30'-11"	28'-1"	24'-7"
1200TJ200-97	35'-1"	31'-10"	27'-10"
1200TJ250-54 ¹	29'-5"	26'-9"	21'-6"
1200TJ250-68	32'-0"	29'-0"	25'-4"
1200TJ250-97	36'-1"	32'-9"	28'-7"
1200TJ300-54 ¹	31'-6"	28'-7"	22'-1"
1200TJ300-68	34'-0"	30'-11"	27'-0"
1200TJ300-97	37'-6"	34'-1"	29'-9"
1400TJ200-68	34'-9"	31'-7"	27'-7"
1400TJ200-97	39'-7"	36'-0"	31'-5"
1400TJ250-68	36'-0"	32'-8"	28'-6"
1400TJ250-97	40'-8"	37'-0"	32'-4"
1400TJ300-68	37'-7"	34'-2"	29'-10"
1400TJ300-97	42'-4"	38'-5"	33'-7"

TITAN FLOOR JOISTS (TJ) TWO EQUAL SPANS

10 psf DL, 40 psf LL

Controlling Allowable Span: L/360 LL Defl.

Section	12	16	24
1000TJ200-54	24'-8"	22'-5"	18'-5"
1000TJ200-68	26'-8"	24'-3"	21'-2"
1000TJ200-97	30'-0"	27'-3"	23'-10"
1000TJ250-54	26'-0"	23'-7"	19'-0"
1000TJ250-68	27'-11"	25'-4"	22'-2"
1000TJ250-97	31'-2"	28'-4"	24'-9"
1000TJ300-54	26'-8"	24'-2"	19'-4"
1000TJ300-68	28'-8"	26'-0"	22'-9"
1000TJ300-97	32'-3"	29'-4"	25'-7"
1200TJ200-54 ¹	28'-9"	24'-2"	18'-1"
1200TJ200-68	30'-11"	28'-1"	24'-3"
1200TJ200-97	35'-1"	31'-10"	27'-10"
1200TJ250-54 ¹	29'-3"	24'-5"	18'-3"
1200TJ250-68	32'-0"	29'-0"	24'-6"
1200TJ250-97	36'-1"	32'-9"	28'-7"
1200TJ300-54 ¹	30'-9"	25'-2"	18'-9"
1200TJ300-68	34'-0"	30'-11"	26'-1"
1200TJ300-97	37'-6"	34'-1"	29'-9"
1400TJ200-68	34'-9"	31'-7"	26'-5"
1400TJ200-97	39'-7"	36'-0"	31'-5"
1400TJ250-68	36'-0"	32'-7"	26'-6"
1400TJ250-97	40'-8"	37'-0"	32'-4"
1400TJ300-68	37'-7"	33'-6"	27'-0"
1400TJ300-97	42'-4"	38'-5"	33'-7"

10 psf DL, 40 psf LL

Controlling Allowable Span: L/480 LL Defl.

Section	12	16	24
1000TJ200-54	22'-5"	20'-4"	17'-9"
1000TJ200-68	24'-3"	22'-0"	19'-3"
1000TJ200-97	27'-3"	24'-9"	21'-7"
1000TJ250-54	23'-7"	21'-5"	18'-9"
1000TJ250-68	25'-4"	23'-1"	20'-2"
1000TJ250-97	28'-4"	25'-8"	22'-5"
1000TJ300-54	24'-2"	22'-0"	19'-2"
1000TJ300-68	26'-0"	23'-8"	20'-8"
1000TJ300-97	29'-4"	26'-8"	23'-3"
1200TJ200-54 ¹	26'-5"	24'-0"	18'-1"
1200TJ200-68	28'-1"	25'-6"	22'-4"
1200TJ200-97	31'-10"	28'-11"	25'-3"
1200TJ250-54 ¹	26'-9"	24'-4"	18'-3"
1200TJ250-68	29'-0"	26'-5"	23'-0"
1200TJ250-97	32'-9"	29'-9"	26'-0"
1200TJ300-54 ¹	28'-7"	25'-2"	18'-9"
1200TJ300-68	30'-11"	28'-1"	24'-6"
1200TJ300-97	34'-1"	30'-11"	27'-0"
1400TJ200-68	31'-7"	28'-8"	25'-1"
1400TJ200-97	36'-0"	32'-8"	28'-7"
1400TJ250-68	32'-8"	29'-8"	25'-11"
1400TJ250-97	37'-0"	33'-7"	29'-4"
1400TJ300-68	34'-2"	31'-0"	27'-0"
1400TJ300-97	38'-5"	34'-11"	30'-6"

10 psf DL, 50 psf LL

Controlling Allowable Span: L/360 LL Defl.

Section	12	16	24
1000TJ200-54	22'-11"	20'-7"	16'-3"
1000TJ200-68	24'-9"	22'-6"	19'-8"
1000TJ200-97	27'-10"	25'-4"	22'-1"
1000TJ250-54	24'-1"	21'-7"	16'-9"
1000TJ250-68	25'-11"	23'-7"	20'-7"
1000TJ250-97	28'-11"	26'-3"	22'-11"
1000TJ300-54	24'-9"	22'-3"	17'-0"
1000TJ300-68	26'-7"	24'-2"	21'-1"
1000TJ300-97	29'-11"	27'-3"	23'-9"
1200TJ200-54 ¹	26'-0"	21'-3"	15'-10"
1200TJ200-68	28'-9"	26'-1"	22'-2"
1200TJ200-97	32'-7"	29'-7"	25'-10"
1200TJ250-54 ¹	26'-3"	21'-6"	15'-11"
1200TJ250-68	29'-8"	26'-11"	22'-4"
1200TJ250-97	33'-6"	30'-5"	26'-7"
1200TJ300-54 ¹	27'-1"	22'-1"	16'-4"
1200TJ300-68	31'-7"	28'-8"	23'-9"
1200TJ300-97	34'-10"	31'-8"	27'-7"
1400TJ200-68	32'-3"	29'-4"	23'-3"
1400TJ200-97	36'-9"	33'-5"	29'-2"
1400TJ250-68	33'-5"	29'-9"	23'-4"
1400TJ250-97	37'-9"	34'-4"	30'-0"
1400TJ300-68	34'-11"	30'-7"	23'-9"
1400TJ300-97	39'-3"	35'-8"	31'-2"

10 psf DL, 50 psf LL

Controlling Allowable Span: L/480 LL Defl.

Section	12	16	24
1000TJ200-54	20'-10"	18'-11"	16'-3"
1000TJ200-68	22'-6"	20'-5"	17'-10"
1000TJ200-97	25'-4"	23'-0"	20'-1"
1000TJ250-54	21'-11"	19'-11"	16'-9"
1000TJ250-68	23'-7"	21'-5"	18'-8"
1000TJ250-97	26'-3"	23'-10"	20'-10"
1000TJ300-54	22'-6"	20'-5"	17'-0"
1000TJ300-68	24'-2"	21'-11"	19'-2"
1000TJ300-97	27'-3"	24'-9"	21'-7"
1200TJ200-54 ¹	24'-6"	21'-3"	15'-10"
1200TJ200-68	26'-1"	23'-8"	20'-8"
1200TJ200-97	29'-7"	26'-11"	23'-6"
1200TJ250-54 ¹	24'-10"	21'-6"	15'-11"
1200TJ250-68	26'-11"	24'-6"	21'-5"
1200TJ250-97	30'-5"	27'-7"	24'-2"
1200TJ300-54 ¹	26'-7"	22'-1"	16'-4"
1200TJ300-68	28'-8"	26'-1"	22'-9"
1200TJ300-97	31'-8"	28'-9"	25'-1"
1400TJ200-68	29'-4"	26'-8"	23'-3"
1400TJ200-97	33'-5"	30'-4"	26'-6"
1400TJ250-68	30'-4"	27'-7"	23'-4"
1400TJ250-97	34'-4"	31'-2"	27'-3"
1400TJ300-68	31'-8"	28'-10"	23'-9"
1400TJ300-97	35'-8"	32'-5"	28'-4"

TITAN FLOOR JOISTS (TJ) TWO EQUAL SPANS

15 psf DL, 125 psf LL

Controlling Allowable Span: L/360 LL Defl.

Section	12	16	24
1000TJ200-54	14'-7"	11'-10"	8'-8"
1000TJ200-68	18'-3"	15'-3"	11'-4"
1000TJ200-97	20'-6"	18'-8"	16'-3"
1000TJ250-54	15'-0"	12'-2"	8'-11"
1000TJ250-68	19'-1"	15'-10"	11'-9"
1000TJ250-97	21'-4"	19'-4"	16'-11"
1000TJ300-54	15'-3"	12'-4"	9'-0"
1000TJ300-68	19'-7"	16'-0"	11'-10"
1000TJ300-97	22'-1"	20'-0"	17'-6"
1200TJ200-54 ¹	14'-1"	11'-3"	7'-10"
1200TJ200-68	20'-6"	16'-9"	12'-6"
1200TJ200-97	24'-0"	21'-4"	15'-11"
1200TJ250-54 ¹	14'-2"	11'-4"	7'-10"
1200TJ250-68	20'-7"	16'-10"	12'-6"
1200TJ250-97	24'-8"	21'-10"	16'-3"
1200TJ300-54 ¹	14'-6"	11'-7"	7'-10"
1200TJ300-68	21'-5"	17'-6"	12'-11"
1200TJ300-97	25'-8"	22'-11"	16'-11"
1400TJ200-68	20'-10"	16'-11"	12'-5"
1400TJ200-97	27'-1"	24'-5"	19'-11"
1400TJ250-68	20'-11"	17'-0"	12'-6"
1400TJ250-97	27'-10"	25'-3"	20'-5"
1400TJ300-68	21'-4"	17'-3"	12'-8"
1400TJ300-97	28'-11"	26'-3"	20'-11"

15 psf DL, 125 psf LL

Controlling Allowable Span: L/480 LL Defl.

Section	12	16	24
1000TJ200-54	14'-7"	11'-10"	8'-8"
1000TJ200-68	16'-7"	15'-0"	11'-4"
1000TJ200-97	18'-8"	16'-11"	14'-9"
1000TJ250-54	15'-0"	12'-2"	8'-11"
1000TJ250-68	17'-4"	15'-9"	11'-9"
1000TJ250-97	19'-4"	17'-7"	15'-4"
1000TJ300-54	15'-3"	12'-4"	9'-0"
1000TJ300-68	17'-10"	16'-0"	11'-10"
1000TJ300-97	20'-0"	18'-2"	15'-11"
1200TJ200-54 ¹	14'-1"	11'-3"	7'-10"
1200TJ200-68	19'-3"	16'-9"	12'-6"
1200TJ200-97	21'-9"	19'-10"	15'-11"
1200TJ250-54 ¹	14'-2"	11'-4"	7'-10"
1200TJ250-68	19'-10"	16'-10"	12'-6"
1200TJ250-97	22'-5"	20'-4"	16'-3"
1200TJ300-54 ¹	14'-6"	11'-7"	7'-10"
1200TJ300-68	21'-2"	17'-6"	12'-11"
1200TJ300-97	23'-4"	21'-2"	16'-11"
1400TJ200-68	20'-10"	16'-11"	12'-5"
1400TJ200-97	24'-7"	22'-4"	19'-6"
1400TJ250-68	20'-11"	17'-0"	12'-6"
1400TJ250-97	25'-3"	23'-0"	20'-1"
1400TJ300-68	21'-4"	17'-3"	12'-8"
1400TJ300-97	28'-11"	26'-3"	20'-11"

40 psf DL, 125 psf LL

Controlling Allowable Span: L/360 LL Defl.

Section	12	16	24
1000TJ200-54	13'-0"	10'-6"	7'-8"
1000TJ200-68	16'-7"	13'-7"	10'-0"
1000TJ200-97	20'-6"	18'-5"	15'-0"
1000TJ250-54	13'-4"	10'-9"	7'-10"
1000TJ250-68	17'-4"	14'-1"	10'-4"
1000TJ250-97	21'-4"	19'-4"	16'-10"
1000TJ300-54	13'-6"	10'-10"	7'-11"
1000TJ300-68	17'-6"	14'-3"	10'-5"
1000TJ300-97	22'-1"	20'-0"	16'-7"
1200TJ200-54 ¹	12'-5"	9'-10"	6'-8"
1200TJ200-68	18'-4"	14'-11"	11'-0"
1200TJ200-97	23'-3"	19'-0"	14'-1"
1200TJ250-54 ¹	12'-6"	9'-11"	6'-8"
1200TJ250-68	18'-5"	15'-0"	11'-1"
1200TJ250-97	23'-10"	19'-5"	14'-5"
1200TJ300-54 ¹	12'-9"	10'-0"	6'-8"
1200TJ300-68	19'-1"	15'-6"	11'-5"
1200TJ300-97	25'-1"	20'-4"	14'-11"
1400TJ200-68	18'-7"	15'-0"	10'-11"
1400TJ200-97	25'-11"	22'-6"	17'-9"
1400TJ250-68	18'-7"	15'-0"	11'-0"
1400TJ250-97	26'-11"	23'-4"	18'-2"
1400TJ300-68	18'-11"	15'-3"	11'-1"
1400TJ300-97	28'-0"	24'-3"	18'-7"

40 psf DL, 125 psf LL

Controlling Allowable Span: L/480 LL Defl.

Section	12	16	24
1000TJ200-54	13'-0"	10'-6"	7'-8"
1000TJ200-68	16'-7"	13'-7"	10'-0"
1000TJ200-97	18'-8"	16'-11"	14'-9"
1000TJ250-54	13'-4"	10'-9"	7'-10"
1000TJ250-68	17'-4"	14'-1"	10'-4"
1000TJ250-97	19'-4"	17'-7"	15'-4"
1000TJ300-54	13'-6"	10'-10"	7'-11"
1000TJ300-68	17'-6"	14'-3"	10'-5"
1000TJ300-97	20'-0"	18'-2"	15'-11"
1200TJ200-54 ¹	12'-5"	9'-10"	6'-8"
1200TJ200-68	18'-4"	14'-11"	11'-0"
1200TJ200-97	21'-9"	19'-0"	14'-1"
1200TJ250-54 ¹	12'-6"	9'-11"	6'-8"
1200TJ250-68	18'-5"	15'-0"	11'-1"
1200TJ250-97	22'-5"	19'-5"	14'-5"
1200TJ300-54 ¹	12'-9"	10'-0"	6'-8"
1200TJ300-68	19'-1"	15'-6"	11'-5"
1200TJ300-97	23'-4"	20'-4"	14'-11"
1400TJ200-68	18'-7"	15'-0"	10'-11"
1400TJ200-97	24'-7"	22'-4"	17'-9"
1400TJ250-68	18'-7"	15'-0"	11'-0"
1400TJ250-97	25'-3"	23'-0"	18'-2"
1400TJ300-68	18'-11"	15'-3"	11'-1"
1400TJ300-97	26'-3"	23'-11"	18'-7"

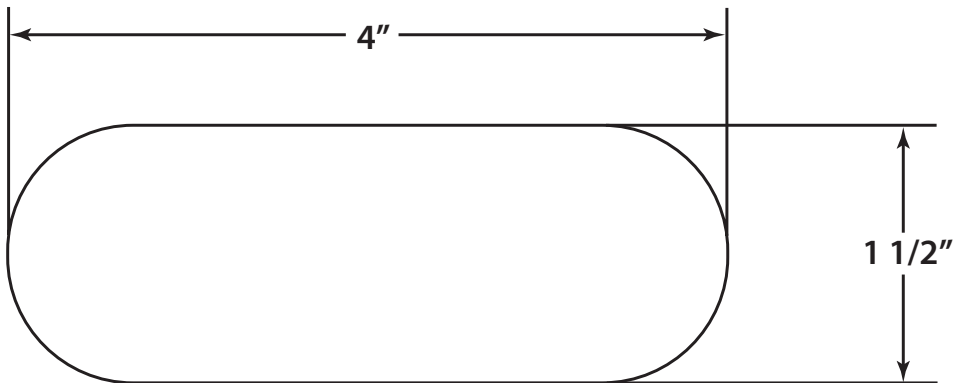
TRADITIONAL FLOOR JOIST SPAN TABLES - NOTES

Allowable Floor Joist Span Table Notes:

1. Spans are based on continuous support of each flange over the full length of the joist
2. For two equal span condition, the listed span is the distance from either end to the center support, with the joist continuous over the center support.
3. Joists must be braced against rotation at all supports.
4. End shear and web crippling capacity have not been reduced for punch-outs.
5. Web crippling check based on 3.5 end bearing. Where listed allowable spans are followed by "e" web stiffeners are required at end supports; "i" web stiffeners are required at mid-supports; "a" web stiffeners are required at all supports.
6. Shear capacity at mid-span support has been reduced for the presence of punch-outs adjacent to the support.
7. Total load deflection limited to $L/240$. Live load deflection limit as noted.
8. Alternate span live loading has been considered for two, equal span condition.
9. For distortional buckling allowable moment, $k\theta = 0$.
10. Moment of inertia for deflection is calculated at the maximum service level stress for the span listed. Note that this value may be higher than the effective I_{xx} listed in section property tables.

Load Bearing Knockout Sizes

Standard Joist Hole Data:



TRADITIONAL FLOOR JOIST SPAN TABLES - 10 PSF DEAD LOAD AND 20 PSF LIVE LOAD

		10 psf Dead Load and 20 psf Live Load											
		L/360 Live Load Deflection for 20 psf						L/480 Live Load Deflection for 20 psf					
		Single Span Spacing (in)			Two Equal Span Spacing (in)			Single Span Spacing (in)			Two Equal Span Spacing (in)		
Section	Fy(ksi)	12"	16"	24"	12"	16"	24"	12"	16"	24"	12"	16"	24"
600S162-33	33	14'6"	12'7"e	10'3"e	14'6"	12'7"	10'1"	14'4"	12'7"e	10'3"e	14'6"	12'7"	10'1"
600S200-33	33	15'6"	13'5"e	10'11"e	15'6"	13'3"	10'5"	15'0"	13'5"e	10'11"e	15'6"	13'3"	10'5"
600S162-43	33	17'2"	15'6"	12'8"	17'11"	15'6"	12'8"	15'7"	14'2"	12'5"	17'6"	15'6"	12'8"
600S200-43	33	18'0"	16'0"	13'1"	18'6"	16'0"	13'1"	16'5"	14'11"	13'0"	18'5"	16'0"	13'1"
600S250-43	33	18'11"	16'5"	13'5"e	19'0"	16'5"	13'5"	17'2"	15'7"	13'5"e	19'0"	16'5"	13'5"
600S162-54	33	18'5"	16'9"	14'7"	20'8"	18'2"	14'10"	16'9"	15'2"	13'3"	18'9"	17'1"	14'10"
600S162-54	50	18'5"	16'9"	14'7"	20'8"	18'9"	16'5"	16'9"	15'2"	13'3"	18'9"	17'1"	14'11"
600S200-54	33	19'4"	17'7"	15'4"	21'9"	19'2"	15'8"	17'7"	16'0"	14'0"	19'9"	17'11"	15'8"
600S200-54	50	19'4"	17'7"	15'4"	21'9"	19'9"	17'3"	17'7"	16'0"	14'0"	19'9"	17'11"	15'8"
600S250-54	33	20'3"	18'5"	15'7"	22'1"	19'1"	15'7"	18'5"	16'9"	14'8"	20'8"	18'10"	15'7"
600S250-54	50	20'3"	18'5"	16'1"	22'9"	20'8"	17'10"	18'5"	16'9"	14'8"	20'8"	18'10"	16'5"
600S300-54	50	21'2"	19'2"	16'8"	23'7"	21'3"	18'2"	19'2"	17'5"	15'3"	21'7"	19'6"	17'0"
600S162-68	33	19'9"	17'11"	15'8"	22'2"	20'2"	16'11"	17'11"	16'4"	14'3"	20'2"	18'4"	16'0"
600S162-68	50	19'9"	17'11"	15'8"	22'2"	20'2"	17'7"	17'11"	16'4"	14'3"	20'2"	18'4"	16'0"
600S200-68	33	20'9"	18'10"	16'6"	23'4"	21'2"	18'0"	18'10"	17'2"	15'0"	21'2"	19'3"	16'10"
600S200-68	50	20'9"	18'10"	16'6"	23'4"	21'2"	18'6"	18'10"	17'2"	15'0"	21'2"	19'3"	16'10"
600S250-68	33	21'9"	19'9"	17'3"	24'5"	22'3"	18'8"	19'9"	18'0"	15'8"	22'3"	20'2"	17'8"
600S250-68	50	21'9"	19'9"	17'3"	24'5"	22'3"	19'5"	19'9"	18'0"	15'8"	22'3"	20'2"	17'8"
600S300-68	50	22'8"	20'8"	18'0"	25'6"	23'1"	20'2"	20'8"	18'9"	16'4"	23'2"	21'0"	18'5"
600S162-97	33	21'11"	19'11"	17'4"	24'7"	22'4"	19'6"	19'11"	18'1"	15'9"	22'4"	20'3"	17'9"
600S162-97	50	21'11"	19'11"	17'4"	24'7"	22'4"	19'6"	19'11"	18'1"	15'9"	22'4"	20'3"	17'9"
600S200-97	33	23'1"	20'11"	18'4"	25'11"	23'6"	20'7"	20'11"	19'0"	16'8"	23'6"	21'4"	18'8"
600S200-97	50	23'1"	20'11"	18'4"	25'11"	23'6"	20'7"	20'11"	19'0"	16'8"	23'6"	21'4"	18'8"
600S250-97	33	24'3"	22'0"	19'3"	27'2"	24'8"	21'7"	22'0"	20'0"	17'6"	24'8"	22'5"	19'7"
600S250-97	50	24'3"	22'0"	19'3"	27'2"	24'8"	21'7"	22'0"	20'0"	17'6"	24'8"	22'5"	19'7"
600S300-97	50	25'3"	22'11"	20'1"	28'4"	25'9"	22'6"	22'11"	20'10"	18'3"	25'9"	23'5"	20'5"
600S162-118	50	23'1"	21'0"	18'4"	25'11"	23'7"	20'7"	21'0"	19'1"	16'8"	23'7"	21'5"	18'9"
600S200-118	50	24'5"	22'2"	19'4"	27'5"	24'11"	21'9"	22'2"	20'2"	17'7"	24'11"	22'7"	19'9"
600S250-118	50	25'8"	23'4"	20'4"	28'9"	26'2"	22'10"	23'4"	21'2"	18'6"	26'2"	23'9"	20'9"
600S300-118	50	26'9"	24'4"	21'3"	30'1"	27'4"	23'10"	24'4"	22'1"	19'4"	27'4"	24'10"	21'8"
600S350-118	50	28'3"	25'8"	22'5"	31'8"	28'10"	25'2"	25'8"	23'4"	20'4"	28'10"	26'2"	22'10"
800S162-33	33	16'9"e	14'6"e	11'10"e	15'8"e	13'0"e	9'10"e	16'9"e	14'6"e	11'10"e	15'8"e	13'0"e	9'10"e
800S200-33	33	18'0"e	15'7"e	12'8"e	16'6"e	13'8"e	10'3"e	18'0"e	15'7"e	12'8"e	16'6"e	13'8"e	10'3"e
800S162-43	33	20'2"	17'6"	14'3"e	20'2"	17'6"	13'11"	19'6"	17'6"	14'3"e	20'2"	17'6"	13'11"
800S200-43	33	21'7"	18'8"	15'3"e	21'7"	18'8"	15'3"	20'7"	18'8"	15'3"e	21'7"	18'8"	15'3"
800S250-43	33	22'2"	19'2"e	15'8"e	22'2"	19'2"	15'6"	21'5"	19'2"e	15'8"e	22'2"	19'2"	15'6"
800S162-54	33	23'3"	20'5"	16'8"	23'7"	20'5"	16'8"	21'1"	19'2"	16'8"	23'7"	20'5"	16'8"
800S162-54	50	23'3"	21'1"	18'4"	26'0"	23'5"	19'1"	21'1"	19'2"	16'9"	23'8"	21'6"	18'9"
800S200-54	33	24'4"	22'1"	18'4"	26'0"	22'6"	18'4"	22'1"	20'1"	17'6"	24'10"	22'6"	18'4"
800S200-54	50	24'4"	22'1"	19'4"	27'4"	24'10"	20'5"	22'1"	20'1"	17'6"	24'10"	22'6"	19'8"
800S250-54	33	25'4"	22'5"	18'3"	25'10"	22'5"	18'3"	23'1"	20'11"	18'3"	25'10"	22'5"	18'3"
800S250-54	50	25'4"	23'1"	20'2"	28'6"	25'6"	20'10"	23'1"	20'11"	18'3"	25'10"	23'6"	20'6"
800S300-54	50	26'4"	23'10"	20'8"	29'3"	25'11"	21'2"	23'11"	21'9"	18'11"	26'10"	24'4"	21'1"

See notes located on page 2

TRADITIONAL FLOOR JOIST SPAN TABLES - 10 PSF DEAD LOAD AND 20 PSF LIVE LOAD

		10 psf Dead Load and 20 psf Live Load											
		L/360 Live Load Deflection for 20 psf						L/480 Live Load Deflection for 20 psf					
Section	Fy(ksi)	Single Span Spacing (in)			Two Equal Span Spacing (in)			Single Span Spacing (in)			Two Equal Span Spacing (in)		
		12"	16"	24"	12"	16"	24"	12"	16"	24"	12"	16"	24"
800S162-68	33	24'11"	22'8"	19'5"	27'5"	23'9"	19'4"	22'8"	20'7"	18'0"	25'5"	23'1"	19'4"
800S162-68	50	24'11"	22'8"	19'9"	28'0"	25'5"	22'3"	22'8"	20'7"	18'0"	25'5"	23'1"	20'2"
800S200-68	33	26'1"	23'9"	20'9"	29'4"	26'5"	21'7"	23'9"	21'7"	18'10"	26'8"	24'2"	21'2"
800S200-68	50	26'1"	23'9"	20'9"	29'4"	26'8"	23'3"	23'9"	21'7"	18'10"	26'8"	24'2"	21'2"
800S250-68	33	27'3"	24'9"	21'8"	30'7"	27'0"	22'0"	24'9"	22'6"	19'8"	27'10"	25'3"	22'0"
800S250-68	50	27'3"	24'9"	21'8"	30'7"	27'10"	24'3"	24'9"	22'6"	19'8"	27'10"	25'3"	22'1"
800S300-68	50	28'4"	25'9"	22'5"	31'9"	28'9"	24'10"	25'9"	23'4"	20'5"	28'11"	26'3"	22'11"
800S162-97	33	27'8"	25'2"	22'0"	31'1"	28'3"	24'8"	25'2"	22'10"	20'0"	28'3"	25'8"	22'5"
800S162-97	50	27'8"	25'2"	22'0"	31'1"	28'3"	24'8"	25'2"	22'10"	20'0"	28'3"	25'8"	22'5"
800S200-97	33	29'0"	26'5"	23'1"	32'7"	29'7"	25'11"	26'5"	24'0"	20'11"	29'7"	26'11"	23'6"
800S200-97	50	29'0"	26'5"	23'1"	32'7"	29'7"	25'11"	26'5"	24'0"	20'11"	29'7"	26'11"	23'6"
800S250-97	33	30'4"	27'7"	24'1"	34'1"	30'11"	27'1"	27'7"	25'1"	21'11"	30'11"	28'2"	24'7"
800S250-97	50	30'4"	27'7"	24'1"	34'1"	30'11"	27'1"	27'7"	25'1"	21'11"	30'11"	28'2"	24'7"
800S300-97	50	31'7"	28'8"	25'1"	35'5"	32'2"	28'1"	28'8"	26'1"	22'9"	32'2"	29'3"	25'7"
800S162-118	50	29'4"	26'7"	23'3"	32'11"	29'11"	26'1"	26'7"	24'2"	21'1"	29'11"	27'2"	23'9"
800S200-118	50	30'9"	27'11"	24'5"	34'6"	31'5"	27'5"	27'11"	25'5"	22'2"	31'5"	28'6"	24'11"
800S250-118	50	32'2"	29'3"	25'6"	36'1"	32'10"	28'8"	29'3"	26'7"	23'2"	32'10"	29'10"	26'1"
800S300-118	50	33'6"	30'5"	26'7"	37'7"	34'2"	29'10"	30'5"	27'8"	24'2"	34'2"	31'0"	27'1"
800S350-118	50	35'3"	32'0"	28'0"	39'7"	35'11"	31'5"	32'0"	29'1"	25'5"	35'11"	32'8"	28'6"
1000S162-43	33	22'4" e	19'4" e	15'10" e	22'3" e	18'10" e	14'8" e	22'4" e	19'4" e	15'10" e	22'3" e	18'10" e	14'8" e
1000S200-43	33	24'1" e	20'11" e	17'1" e	23'5" e	19'9" e	15'4" e	24'1" e	20'11" e	17'1" e	23'5" e	19'9" e	15'4" e
1000S250-43	33	24'10" e	21'6" e	17'6" e	24'5" e	20'6" e	15'10" e	24'10" e	21'6" e	17'6" e	24'5" e	20'6" e	15'10" e
1000S162-54	33	26'4"	22'9"	18'7" e	26'4"	22'9"	18'6"	25'2"	22'9"	18'7" e	26'4"	22'9"	18'6"
1000S162-54	50	27'7"	25'0"	21'2"	29'11"	25'11"	21'2"	25'2"	22'10"	19'11"	28'2"	25'6"	21'2"
1000S200-54	33	28'3"	24'5"	20'0" e	28'3"	24'5"	19'9"	26'4"	23'10"	20'0" e	28'3"	24'5"	19'9"
1000S200-54	50	28'10"	26'2"	22'9"	32'2"	27'10"	22'2"	26'4"	23'10"	20'9"	29'5"	26'8"	22'2"
1000S250-54	33	29'1"	25'2"	20'7" e	29'1"	25'2"	20'7"	27'6"	25'0"	20'7" e	29'1"	25'2"	20'7"
1000S250-54	50	30'3"	27'6"	23'4"	33'1"	28'8"	23'1"	27'6"	25'0"	21'10"	30'10"	28'1"	23'1"
1000S300-54	50	31'3"	28'4"	23'9"	33'7"	29'1"	23'3"	28'6"	25'10"	22'6"	31'10"	28'10"	23'3"
1000S162-68	33	30'0"	26'9"	21'10"	30'11"	26'9"	21'10"	27'3"	24'9"	21'7"	30'7"	26'9"	21'10"
1000S162-68	50	30'0"	27'2"	23'8"	33'6"	30'5"	25'0"	27'3"	24'9"	21'7"	30'7"	27'9"	24'2"
1000S200-68	33	31'3"	28'5"	23'4"	33'0"	28'7"	23'4"	28'5"	25'10"	22'7"	31'11"	28'7"	23'4"
1000S200-68	50	31'3"	28'5"	24'9"	35'0"	31'9"	26'9"	28'5"	25'10"	22'7"	31'11"	28'11"	25'3"
1000S250-68	33	32'6"	29'7"	24'10"	35'2"	30'5"	24'10"	29'7"	26'10"	23'5"	33'2"	30'2"	24'10"
1000S250-68	50	32'6"	29'7"	25'10"	36'6"	33'2"	27'6"	29'7"	26'10"	23'5"	33'2"	30'2"	26'4"
1000S300-68	50	33'8"	30'7"	26'8"	37'9"	34'3"	28'0"	30'7"	27'10"	24'4"	34'4"	31'3"	27'2"

See notes located on page 2

TRADITIONAL FLOOR JOIST SPAN TABLES - 10 PSF DEAD LOAD AND 20 PSF LIVE LOAD

		10 psf Dead Load and 20 psf Live Load											
		L/360 Live Load Deflection for 20 psf						L/480 Live Load Deflection for 20 psf					
Section	Fy(ksi)	Single Span Spacing (in)			Two Equal Span Spacing (in)			Single Span Spacing (in)			Two Equal Span Spacing (in)		
		12"	16"	24"	12"	16"	24"	12"	16"	24"	12"	16"	24"
1000S162-97	33	33' 4"	30' 4"	26' 6"	37' 5"	33' 3"	27' 1"	30' 4"	27' 6"	24' 1"	34' 0"	30' 11"	27' 0"
1000S162-97	50	33' 4"	30' 4"	26' 6"	37' 5"	34' 0"	29' 9"	30' 4"	27' 6"	24' 1"	34' 0"	30' 11"	27' 0"
1000S200-97	33	34' 10"	31' 8"	27' 8"	39' 1"	35' 6"	28' 11"	31' 8"	28' 9"	25' 1"	35' 6"	32' 3"	28' 2"
1000S200-97	50	34' 10"	31' 8"	27' 8"	39' 1"	35' 6"	31' 0"	31' 8"	28' 9"	25' 1"	35' 6"	32' 3"	28' 2"
1000S250-97	33	36' 3"	32' 11"	28' 9"	40' 9"	37' 0"	31' 11"	32' 11"	29' 11"	26' 2"	37' 0"	33' 7"	29' 4"
1000S250-97	50	36' 3"	32' 11"	28' 9"	40' 9"	37' 0"	32' 4"	32' 11"	29' 11"	26' 2"	37' 0"	33' 7"	29' 4"
1000S300-97	50	37' 7"	34' 2"	29' 10"	42' 3"	38' 4"	33' 6"	34' 2"	31' 0"	27' 1"	38' 4"	34' 10"	30' 5"
1000S162-118	50	35' 4"	32' 1"	28' 0"	39' 8"	36' 0"	31' 6"	32' 1"	29' 2"	25' 6"	36' 0"	32' 9"	28' 7"
1000S200-118	50	36' 11"	33' 7"	29' 4"	41' 6"	37' 8"	32' 11"	33' 7"	30' 6"	26' 8"	37' 8"	34' 3"	29' 11"
1000S250-118	50	38' 6"	35' 0"	30' 7"	43' 2"	39' 3"	34' 4"	35' 0"	31' 9"	27' 9"	39' 3"	35' 8"	31' 2"
1000S300-118	50	39' 11"	36' 3"	31' 8"	44' 10"	40' 9"	35' 7"	36' 3"	32' 11"	28' 9"	40' 9"	37' 0"	32' 4"
1000S350-118	50	41' 11"	38' 1"	33' 4"	47' 1"	42' 9"	37' 5"	38' 1"	34' 7"	30' 3"	42' 9"	38' 11"	34' 0"
1200S162-54	33	28' 5"e	24' 7"e	20' 1"e	28' 5"e	24' 7"e	19' 9"e	28' 5"e	24' 7"e	20' 1"e	28' 5"e	24' 7"e	19' 9"e
1200S162-54	50	31' 9"e	27' 11"e	22' 10"e	32' 3"e	27' 11"e	22' 5"e	29' 0"e	26' 3"e	22' 10"e	32' 3"e	27' 11"e	22' 5"e
1200S200-54	33	30' 9"e	26' 7"e	21' 9"e	30' 9"e	26' 6"e	20' 11"e	30' 3"e	26' 7"e	21' 9"e	30' 9"e	26' 6"e	20' 11"e
1200S200-54	50	33' 2"e	30' 0"e	24' 8"e	34' 10"e	29' 7"e	23' 2"e	30' 3"e	27' 5"e	23' 10"e	33' 9"e	29' 7"e	23' 2"e
1200S250-54	33	31' 9"e	27' 6"e	22' 6"e	31' 5"e	26' 9"e	21' 1"e	31' 5"e	27' 6"e	22' 6"e	31' 5"e	26' 9"e	21' 1"e
1200S250-54	50	34' 6"e	31' 2"e	25' 6"e	35' 5"e	30' 0"e	23' 5"e	31' 5"e	28' 6"e	24' 10"e	35' 1"e	30' 0"e	23' 5"e
1200S300-54	50	36' 1"e	31' 10"e	26' 0"e	36' 3"e	30' 8"e	23' 11"e	32' 11"e	29' 10"e	26' 0"e	36' 3"e	30' 8"e	23' 11"e
1200S162-68	33	33' 8"	29' 2"	23' 10"	33' 8"	29' 2"	23' 10"	31' 7"	28' 8"	23' 10"	33' 8"	29' 2"	23' 10"
1200S162-68	50	34' 8"	31' 5"	27' 1"	38' 4"	33' 2"	27' 1"	31' 7"	28' 8"	24' 11"	35' 3"	32' 0"	27' 1"
1200S200-68	33	36' 1"	31' 4"	25' 7"	36' 2"	31' 4"	25' 7"	32' 11"	29' 10"	25' 7"	36' 2"	31' 4"	25' 7"
1200S200-68	50	36' 1"	32' 9"	28' 6"	40' 4"	35' 9"	29' 2"	32' 11"	29' 10"	26' 0"	36' 9"	33' 4"	29' 0"
1200S250-68	33	37' 5"	32' 5"	26' 5"	37' 5"	32' 5"	26' 5"	34' 2"	31' 0"	26' 5"	37' 5"	32' 5"	26' 5"
1200S250-68	50	37' 6"	34' 0"	29' 7"	41' 11"	36' 11"	30' 1"	34' 2"	31' 0"	27' 0"	38' 2"	34' 8"	30' 1"
1200S300-68	50	38' 11"	35' 5"	30' 8"	43' 5"	37' 7"	30' 8"	35' 5"	32' 2"	28' 1"	39' 9"	36' 1"	30' 8"
1200S162-97	33	38' 11"	35' 4"	30' 6"	43' 2"	37' 5"	30' 6"	35' 4"	32' 1"	28' 1"	39' 8"	36' 1"	30' 6"
1200S162-97	50	38' 11"	35' 4"	30' 11"	43' 8"	39' 8"	34' 8"	35' 4"	32' 1"	28' 1"	39' 8"	36' 1"	31' 6"
1200S200-97	33	40' 6"	36' 10"	32' 2"	45' 6"	39' 11"	32' 7"	36' 10"	33' 5"	29' 3"	41' 4"	37' 7"	32' 7"
1200S200-97	50	40' 6"	36' 10"	32' 2"	45' 6"	41' 4"	36' 1"	36' 10"	33' 5"	29' 3"	41' 4"	37' 7"	32' 10"
1200S250-97	33	42' 1"	38' 2"	33' 4"	47' 2"	41' 4"	33' 9"	38' 2"	34' 8"	30' 4"	42' 11"	39' 0"	33' 9"
1200S250-97	50	42' 1"	38' 2"	33' 4"	47' 2"	42' 11"	37' 6"	38' 2"	34' 8"	30' 4"	42' 11"	39' 0"	34' 1"
1200S300-97	50	43' 6"	39' 6"	34' 6"	48' 10"	44' 4"	38' 9"	39' 6"	35' 11"	31' 4"	44' 4"	40' 4"	35' 2"
1200S162-118	50	41' 3"	37' 6"	32' 9"	46' 4"	42' 1"	36' 9"	37' 6"	34' 1"	29' 9"	42' 1"	38' 3"	33' 5"
1200S200-118	50	43' 0"	39' 1"	34' 1"	48' 3"	43' 10"	38' 4"	39' 1"	35' 6"	31' 0"	43' 10"	39' 10"	34' 10"
1200S250-118	50	44' 8"	40' 7"	35' 5"	50' 2"	45' 7"	39' 9"	40' 7"	36' 10"	32' 2"	45' 7"	41' 5"	36' 2"
1200S300-118	50	46' 2"	42' 0"	36' 8"	51' 10"	47' 1"	41' 2"	42' 0"	38' 2"	33' 4"	47' 1"	42' 10"	37' 5"
1200S350-118	50	48' 5"	44' 0"	38' 5"	54' 5"	49' 5"	43' 2"	44' 0"	40' 0"	34' 11"	49' 5"	44' 11"	39' 3"

See notes located on page 2

TRADITIONAL FLOOR JOIST SPAN TABLES - 10 PSF DEAD LOAD AND 20 PSF LIVE LOAD

		10 psf Dead Load and 20 psf Live Load											
		L/360 Live Load Deflection for 20 psf						L/480 Live Load Deflection for 20 psf					
Section	Fy(ksi)	Single Span Spacing (in)			Two Equal Span Spacing (in)			Single Span Spacing (in)			Two Equal Span Spacing (in)		
		12"	16"	24"	12"	16"	24"	12"	16"	24"	12"	16"	24"
1400S162-54	33	30'2"e	26'1"e	21'4"e	30'2"e	26'1"e	20'5"e	30'2"e	26'1"e	21'4"e	30'2"e	26'1"e	20'5"e
1400S162-54	50	34'0"e	29'6"e	24'1"e	34'0"e	29'6"e	22'9"e	32'7"e	29'6"e	24'1"e	34'0"e	29'6"e	22'9"e
1400S200-54	33	32'9"e	28'4"e	23'2"e	32'9"e	27'8"e	21'5"e	32'9"e	28'4"e	23'2"e	32'9"e	27'8"e	21'5"e
1400S200-54	50	37'0"e	32'1"e	26'2"e	36'4"e	30'6"e	23'4"e	34'0"e	30'10"e	26'2"e	36'4"e	30'6"e	23'4"e
1400S250-54	33	34'0"e	29'6"e	24'1"e	33'1"e	27'10"e	21'7"e	34'0"e	29'6"e	24'1"e	33'1"e	27'10"e	21'7"e
1400S250-54	50	38'6"e	33'4"e	27'2"e	36'11"e	30'10"e	23'7"e	35'4"e	32'0"e	27'2"e	36'11"e	30'10"e	23'7"e
1400S300-54	50	39'5"e	34'1"e	27'10"e	37'2"e	31'1"e	23'9"e	36'5"e	32'11"e	27'10"e	37'2"e	31'1"e	23'9"e
1400S162-68	33	35'11"	31'1"	25'5"	35'11"	31'1"	25'5"	35'8"	31'1"	25'5"	35'11"	31'1"	25'5"
1400S162-68	50	39'1"	35'3"	28'9"	40'8"	35'3"	28'9"	35'8"	32'4"	28'2"	39'9"	35'3"	28'9"
1400S200-68	33	38'9"	33'6"	27'5"e	38'9"	33'6"	27'5"	37'1"	33'6"	27'5"e	38'9"	33'6"	27'5"
1400S200-68	50	40'8"	36'10"	31'1"	44'0"	38'1"	31'1"	37'1"	33'8"	29'3"	41'5"	37'6"	31'1"
1400S250-68	33	40'3"	34'10"	28'5"e	40'3"	34'10"	28'5"	38'6"	34'10"	28'5"e	40'3"	34'10"	28'5"
1400S250-68	50	42'2"	38'3"	32'3"	45'8"	39'6"	31'11"	38'6"	34'11"	30'5"	43'0"	38'11"	31'11"
1400S300-68	50	43'7"	39'5"	33'0"	46'9"	40'6"	32'4"	39'9"	36'0"	31'5"	44'5"	40'1"	32'4"
1400S162-97	33	44'5"	40'4"	32'11"	46'7"	40'4"	32'11"	40'4"	36'8"	32'0"	45'4"	40'4"	32'11"
1400S162-97	50	44'5"	40'4"	35'2"	49'9"	45'1"	37'8"	40'4"	36'8"	32'0"	45'4"	41'2"	35'10"
1400S200-97	33	46'1"	41'11"	35'3"	49'10"	43'2"	35'3"	41'11"	38'1"	33'3"	47'0"	42'9"	35'3"
1400S200-97	50	46'1"	41'11"	36'6"	51'8"	46'10"	40'5"	41'11"	38'1"	33'3"	47'0"	42'9"	37'3"
1400S250-97	33	47'9"	43'4"	36'7"	51'9"	44'10"	36'7"	43'4"	39'5"	34'5"	48'8"	44'3"	36'7"
1400S250-97	50	47'9"	43'4"	37'10"	53'6"	48'7"	41'11"	43'4"	39'5"	34'5"	48'8"	44'3"	38'7"
1400S300-97	50	49'3"	44'9"	39'1"	55'3"	50'2"	42'11"	44'9"	40'8"	35'6"	50'3"	45'8"	39'10"
1400S162-118	50	47'2"	42'10"	37'5"	52'11"	48'1"	42'0"	42'10"	38'11"	34'0"	48'1"	43'8"	38'2"
1400S200-118	50	48'11"	44'6"	38'10"	55'0"	49'11"	43'8"	44'6"	40'5"	35'4"	49'11"	45'4"	39'8"
1400S250-118	50	50'9"	46'1"	40'3"	56'11"	51'9"	45'2"	46'1"	41'10"	36'7"	51'9"	47'0"	41'1"
1400S300-118	50	52'4"	47'7"	41'7"	58'9"	53'5"	46'8"	47'7"	43'3"	37'9"	53'5"	48'6"	42'5"
1400S350-118	50	54'9"	49'9"	43'6"	61'6"	55'10"	48'10"	49'9"	45'3"	39'6"	55'10"	50'9"	44'4"
1600S200-68	50	45'0"	40'1"	32'8"	46'3"	40'1"	32'8"	41'2"	37'3"	32'5"	45'10"	40'1"	32'8"
1600S250-68	50	46'8"	41'9"	34'1"	48'3"	41'9"	33'0"	42'7"	38'7"	33'7"	47'6"	41'9"	33'0"
1600S300-68	50	48'2"	42'11"	35'1"	49'7"	42'5"	33'4"	44'0"	39'10"	34'8"	49'0"	42'5"	33'4"
1600S350-68	50	50'5"	45'9"	39'4"	54'8"	46'3"	36'1"	46'0"	41'9"	36'4"	51'5"	46'3"	36'1"
1600S200-97	50	51'6"	46'8"	40'7"	57'6"	52'1"	42'10"	46'11"	42'7"	37'1"	52'5"	47'7"	41'5"
1600S250-97	50	53'3"	48'3"	42'0"	59'6"	53'11"	44'7"	48'6"	44'0"	38'4"	54'3"	49'2"	42'10"
1600S300-97	50	54'10"	49'9"	43'4"	61'4"	55'7"	45'9"	49'11"	45'4"	39'6"	55'11"	50'9"	44'2"
1600S350-97	50	57'3"	52'0"	45'4"	64'1"	58'2"	50'7"	52'1"	47'4"	41'3"	58'5"	53'0"	46'2"
1600S200-118	50	54'10"	49'10"	43'7"	61'7"	56'0"	48'9"i	49'10"	45'4"	39'7"	56'0"	50'10"	44'5"
1600S250-118	50	56'8"	51'6"	45'0"	63'8"	57'10"	50'5"	51'6"	46'10"	40'11"	57'10"	52'7"	45'11"
1600S300-118	50	58'5"	53'1"	46'4"	65'7"	59'7"	52'0"i	53'1"	48'3"	42'2"	59'7"	54'2"	47'4"
1600S350-118	50	61'0"	55'5"	48'5"	68'6"	62'3"	54'4"i	55'5"	50'4"	44'0"	62'3"	56'6"	49'5"

See notes located on page 2

TRADITIONAL FLOOR JOIST SPAN TABLES - 10 PSF DEAD LOAD AND 30 PSF LIVE LOAD

		10 psf Dead Load and 30 psf Live Load											
		L/360 Live Load Deflection for 30 psf						L/480 Live Load Deflection for 30 psf					
		Single Span Spacing (in)			Two Equal Span Spacing (in)			Single Span Spacing (in)			Two Equal Span Spacing (in)		
Section	Fy(ksi)	12"	16"	24"	12"	16"	24"	12"	16"	24"	12"	16"	24"
600S162-33	33	12'7"e	10'11"e	8'11"e	12'7"	10'10"	8'5"e	12'6"e	10'11"e	8'11"e	12'7"	10'10"	8'5"e
600S200-33	33	13'5"e	11'7"e	9'6"e	13'3"	11'2"	8'8"e	13'2"e	11'7"e	9'6"e	13'3"	11'2"	8'8"e
600S162-43	33	15'0"	13'5"	11'0"e	15'6"	13'5"	11'0"	13'8"	12'5"	10'10"e	15'4"	13'5"	11'0"
600S200-43	33	15'9"	13'10"	11'4"e	16'0"	13'10"	11'4"	14'4"	13'0"	11'4"e	16'0"	13'10"	11'4"
600S250-43	33	16'5"	14'3"	11'7"e	16'5"	14'3"	11'7"	15'0"	13'7"	11'7"e	16'5"	14'3"	11'7"
600S162-54	33	16'1"	14'7"	12'9"	18'1"	15'9"	12'10"	14'7"	13'3"	11'7"	16'5"	14'11"	12'10"
600S162-54	50	16'1"	14'7"	12'9"	18'1"	16'5"	14'4"	14'7"	13'3"	11'7"	16'5"	14'11"	13'0"
600S200-54	33	16'11"	15'4"	13'5"	19'0"	16'7"	13'7"	15'4"	14'0"	12'2"	17'3"	15'8"	13'7"
600S200-54	50	16'11"	15'4"	13'5"	19'0"	17'3"	15'1"	15'4"	14'0"	12'2"	17'3"	15'8"	13'8"
600S250-54	33	17'9"	16'1"	13'6"	19'1"	16'7"	13'4"	16'1"	14'8"	12'9"	18'1"	16'5"	13'4"
600S250-54	50	17'9"	16'1"	14'1"	19'11"	18'1"	15'6"	16'1"	14'8"	12'9"	18'1"	16'5"	14'4"
600S300-54	50	18'6"	16'9"	14'7"	20'7"	18'7"	15'9"	16'9"	15'3"	13'4"	18'10"	17'1"	14'10"
600S162-68	33	17'3"	15'8"	13'8"	19'4"	17'7"	14'7"	15'8"	14'3"	12'5"	17'7"	16'0"	14'0"
600S162-68	50	17'3"	15'8"	13'8"	19'4"	17'7"	15'4"	15'8"	14'3"	12'5"	17'7"	16'0"	14'0"
600S200-68	33	18'2"	16'6"	14'5"	20'4"	18'6"	15'6"	16'6"	15'0"	13'1"	18'6"	16'10"	14'8"
600S200-68	50	18'2"	16'6"	14'5"	20'4"	18'6"	16'2"	16'6"	15'0"	13'1"	18'6"	16'10"	14'8"
600S250-68	33	19'0"	17'3"	15'1"	21'4"	19'5"	16'0"	17'3"	15'8"	13'9"	19'5"	17'8"	15'5"
600S250-68	50	19'0"	17'3"	15'1"	21'4"	19'5"	16'11"	17'3"	15'8"	13'9"	19'5"	17'8"	15'5"
600S300-68	50	19'10"	18'0"	15'9"	22'3"	20'2"	17'7"	18'0"	16'4"	14'4"	20'3"	18'5"	16'1"
600S162-97	33	19'1"	17'4"	15'2"	21'6"	19'6"	17'0"	17'4"	15'9"	13'9"	19'6"	17'9"	15'6"
600S162-97	50	19'1"	17'4"	15'2"	21'6"	19'6"	17'0"	17'4"	15'9"	13'9"	19'6"	17'9"	15'6"
600S200-97	33	20'2"	18'4"	16'0"	22'7"	20'7"	17'11"	18'4"	16'8"	14'6"	20'7"	18'8"	16'4"
600S200-97	50	20'2"	18'4"	16'0"	22'7"	20'7"	17'11"	18'4"	16'8"	14'6"	20'7"	18'8"	16'4"
600S250-97	33	21'2"	19'3"	16'9"	23'9"	21'7"	18'10"	19'3"	17'6"	15'3"	21'7"	19'7"	17'2"
600S250-97	50	21'2"	19'3"	16'9"	23'9"	21'7"	18'10"	19'3"	17'6"	15'3"	21'7"	19'7"	17'2"
600S300-97	50	22'1"	20'1"	17'6"	24'9"	22'6"	19'8"	20'1"	18'3"	15'11"	22'6"	20'5"	17'10"
600S162-118	50	20'2"	18'4"	16'0"	22'8"	20'7"	18'0"	18'4"	16'8"	14'7"	20'7"	18'9"	16'4"
600S200-118	50	21'4"	19'4"	16'11"	23'11"	21'9"	19'0"	19'4"	17'7"	15'4"	21'9"	19'9"	17'3"
600S250-118	50	22'5"	20'4"	17'9"	25'2"	22'10"	20'0"	20'4"	18'6"	16'2"	22'10"	20'9"	18'2"
600S300-118	50	23'5"	21'3"	18'7"	26'3"	23'10"	20'10"	21'3"	19'4"	16'10"	23'10"	21'8"	18'11"
600S350-118	50	24'8"	22'5"	19'7"	27'8"	25'2"	22'0"	22'5"	20'4"	17'9"	25'2"	22'10"	20'0"
800S162-33	33	14'6"e	12'7"e	10'3"e	13'0"e	10'9"e	8'0"e	14'6"e	12'7"e	10'3"e	13'0"e	10'9"e	8'0"e
800S200-33	33	15'7"e	13'6"e	11'0"e	13'8"e	11'2"e	8'2"e	15'7"e	13'6"e	11'0"e	13'8"e	11'2"e	8'2"e
800S162-43	33	17'6"	15'2"e	12'4"e	17'6"	14'11"	11'9"	17'1"	15'2"e	12'4"e	17'6"	14'11"	11'9"
800S200-43	33	18'8"	16'2"e	13'3"e	18'8"	16'2"	12'11"e	18'0"	16'2"e	13'3"e	18'8"	16'2"	12'11"e
800S250-43	33	19'2"e	16'7"e	13'7"e	19'2"	16'7"	13'0"e	18'9"	16'7"e	13'7"e	19'2"	16'7"	13'0"e
800S162-54	33	20'3"	17'8"	14'5"e	20'5"	17'8"	14'4"	18'5"	16'9"	14'5"e	20'5"	17'8"	14'4"
800S162-54	50	20'3"	18'5"	16'0"	22'8"	20'3"	16'6"	18'5"	16'9"	14'7"	20'8"	18'9"	16'4"
800S200-54	33	21'3"	19'4"	15'11"e	22'6"	19'6"	15'11"	19'4"	17'6"	15'4"e	21'8"	19'6"	15'11"
800S200-54	50	21'3"	19'4"	16'10"	23'10"	21'7"	17'8"	19'4"	17'6"	15'4"	21'8"	19'8"	17'2"
800S250-54	33	22'2"	19'5"	15'10"e	22'5"	19'5"	15'10"	20'2"	18'3"	15'10"e	22'5"	19'5"	15'10"
800S250-54	50	22'2"	20'2"	17'7"	24'11"	22'1"	18'1"	20'2"	18'3"	16'0"	22'7"	20'6"	17'11"
800S300-54	50	23'0"	20'10"	18'1"	25'6"	22'5"	18'4"	20'11"	19'0"	16'7"	23'5"	21'3"	18'4"
800S162-68	33	21'9"	19'9"	16'10"	23'9"	20'6"	16'8"	19'9"	18'0"	15'8"	22'3"	20'2"	16'8"
800S162-68	50	21'9"	19'9"	17'3"	24'5"	22'3"	19'5"	19'9"	18'0"	15'8"	22'3"	20'2"	17'8"
800S200-68	33	22'10"	20'9"	18'1"	25'7"	22'10"	18'8"	20'9"	18'10"	16'5"	23'3"	21'2"	18'6"
800S200-68	50	22'10"	20'9"	18'1"	25'7"	23'3"	20'4"	20'9"	18'10"	16'5"	23'3"	21'2"	18'6"
800S250-68	33	23'10"	21'8"	18'11"	26'9"	23'4"	19'1"	21'8"	19'8"	17'2"	24'3"	22'1"	19'1"
800S250-68	50	23'10"	21'8"	18'11"	26'9"	24'3"	21'2"	21'8"	19'8"	17'2"	24'3"	22'1"	19'3"
800S300-68	50	24'9"	22'6"	19'7"	27'9"	25'2"	21'6"	22'6"	20'5"	17'10"	25'3"	22'11"	20'0"
800S162-97	33	24'2"	22'0"	19'2"	27'2"	24'8"	21'7"	22'0"	20'0"	17'5"	24'8"	22'5"	19'7"
800S162-97	50	24'2"	22'0"	19'2"	27'2"	24'8"	21'7"	22'0"	20'0"	17'5"	24'8"	22'5"	19'7"

See notes located on page 2

TRADITIONAL FLOOR JOIST SPAN TABLES - 10 PSF DEAD LOAD AND 30 PSF LIVE LOAD

		10 psf Dead Load and 30 psf Live Load											
		L/360 Live Load Deflection for 30 psf						L/480 Live Load Deflection for 30 psf					
Section	Fy(ksi)	Single Span Spacing (in)			Two Equal Span Spacing (in)			Single Span Spacing (in)			Two Equal Span Spacing (in)		
		12"	16"	24"	12"	16"	24"	12"	16"	24"	12"	16"	24"
800S200-97	33	25'4"	23'1"	20'2"	28'6"	25'11"	22'7"	23'1"	20'11"	18'4"	25'11"	23'6"	20'6"
800S200-97	50	25'4"	23'1"	20'2"	28'6"	25'11"	22'7"	23'1"	20'11"	18'4"	25'11"	23'6"	20'6"
800S250-97	33	26'6"	24'1"	21'0"	29'9"	27'1"	23'7"	24'1"	21'11"	19'1"	27'1"	24'7"	21'6"
800S250-97	50	26'6"	24'1"	21'0"	29'9"	27'1"	23'7"	24'1"	21'11"	19'1"	27'1"	24'7"	21'6"
800S300-97	50	27'7"	25'1"	21'11"	30'11"	28'1"	24'7"	25'1"	22'9"	19'11"	28'1"	25'7"	22'4"
800S162-118	50	25'7"	23'3"	20'4"	28'9"	26'1"	22'10"	23'3"	21'1"	18'5"	26'1"	23'9"	20'9"
800S200-118	50	26'10"	24'5"	21'4"	30'2"	27'5"	23'11"	24'5"	22'2"	19'5"	27'5"	24'11"	21'9"
800S250-118	50	28'1"	25'6"	22'4"	31'7"	28'8"	25'1"	25'6"	23'2"	20'3"	28'8"	26'1"	22'9"
800S300-118	50	29'3"	26'7"	23'3"	32'10"	29'10"	26'1"	26'7"	24'2"	21'1"	29'10"	27'1"	23'8"
800S350-118	50	30'10"	28'0"	24'5"	34'7"	31'5"	27'5"	28'0"	25'5"	22'2"	31'5"	28'6"	24'11"
1000S162-43	33	19'4"e	16'9"e	13'8"e	18'10"e	15'10"e	12'2"e	19'4"e	16'9"e	13'8"e	18'10"e	15'10"e	12'2"e
1000S200-43	33	20'11"e	18'1"e	14'9"e	19'9"e	16'6"e	12'7"e	20'11"e	18'1"e	14'9"e	19'9"e	16'6"e	12'7"e
1000S250-43	33	21'6"e	18'7"e	15'2"e	20'6"e	17'1"e	13'0"e	21'6"e	18'7"e	15'2"e	20'6"e	17'1"e	13'0"e
1000S162-54	33	22'9"	19'9"	16'1"e	22'9"	19'9"	15'10"	22'0"	19'9"	16'1"e	22'9"	19'9"	15'10"
1000S162-54	50	24'1"	21'10"	18'4"	25'11"	22'6"	18'2"	22'0"	19'11"	17'4"	24'7"	22'3"	18'2"
1000S200-54	33	24'5"	21'2"e	17'3"e	24'5"	21'1"	16'9"	23'0"	20'10"e	17'3"e	24'5"	21'1"	16'9"
1000S200-54	50	25'2"	22'10"	19'9"	27'10"	23'8"	18'9"	23'0"	20'10"	18'2"	25'8"	23'3"	18'9"
1000S250-54	33	25'2"	21'10"e	17'10"e	25'2"	21'10"	17'10"	24'0"	21'10"e	17'10"e	25'2"	21'10"	17'10"
1000S250-54	50	26'5"	24'0"	20'3"	28'8"	24'9"	19'6"	24'0"	21'10"	19'1"	27'0"	24'6"	19'6"
1000S300-54	50	27'4"	24'9"	20'7"	29'1"	24'10"	19'7"	24'10"	22'7"	19'8"	27'10"	24'10"	19'7"
1000S162-68	33	26'2"	23'2"	18'11"	26'9"	23'2"	18'11"	23'9"	21'7"	18'10"	26'8"	23'2"	18'11"
1000S162-68	50	26'2"	23'9"	20'8"	29'3"	26'6"	21'8"	23'9"	21'7"	18'10"	26'8"	24'2"	21'1"
1000S200-68	33	27'4"	24'9"	20'3"	28'7"	24'9"	20'3"	24'10"	22'7"	19'8"	27'10"	24'9"	20'3"
1000S200-68	50	27'4"	24'10"	21'7"	30'7"	27'9"	23'2"	24'10"	22'7"	19'8"	27'10"	25'3"	22'0"
1000S250-68	33	28'5"	25'10"	21'6"e	30'5"	26'4"	21'6"	25'10"	23'5"	20'6"	29'0"	26'4"	21'6"
1000S250-68	50	28'5"	25'10"	22'7"	31'11"	29'0"	23'10"	25'10"	23'5"	20'6"	29'0"	26'4"	23'0"
1000S300-68	50	29'5"	26'9"	23'4"	33'0"	29'8"	24'3"	26'9"	24'4"	21'3"	30'0"	27'3"	23'9"
1000S162-97	33	29'2"	26'6"	23'1"	32'8"	28'9"	23'5"	26'6"	24'1"	21'0"	29'9"	27'0"	23'5"
1000S162-97	50	29'2"	26'6"	23'1"	32'8"	29'9"	26'0"	26'6"	24'1"	21'0"	29'9"	27'0"	23'7"
1000S200-97	33	30'5"	27'8"	24'2"	34'2"	30'9"	25'0"	27'8"	25'1"	21'11"	31'0"	28'2"	24'8"
1000S200-97	50	30'5"	27'8"	24'2"	34'2"	31'0"	27'1"	27'8"	25'1"	21'11"	31'0"	28'2"	24'8"
1000S250-97	33	31'8"	28'9"	25'2"	35'7"	32'4"	27'8"	28'9"	26'2"	22'10"	32'4"	29'4"	25'8"
1000S250-97	50	31'8"	28'9"	25'2"	35'7"	32'4"	28'3"	28'9"	26'2"	22'10"	32'4"	29'4"	25'8"
1000S300-97	50	32'10"	29'10"	26'1"	36'10"	33'6"	29'3"	29'10"	27'1"	23'8"	33'6"	30'5"	26'7"
1000S162-118	50	30'10"	28'0"	24'6"	34'8"	31'6"	27'6"	28'0"	25'6"	22'3"	31'6"	28'7"	25'0"
1000S200-118	50	32'3"	29'4"	25'7"	36'3"	32'11"	28'9"	29'4"	26'8"	23'3"	32'11"	29'11"	26'1"
1000S250-118	50	33'7"	30'7"	26'8"	37'9"	34'4"	29'11"	30'7"	27'9"	24'3"	34'4"	31'2"	27'3"
1000S300-118	50	34'10"	31'8"	27'8"	39'2"	35'7"	31'1"	31'8"	28'9"	25'2"	35'7"	32'4"	28'3"
1000S350-118	50	36'8"	33'4"	29'1"	41'2"	37'5"	32'8"	33'4"	30'3"	26'5"	37'5"	34'0"	29'8"
1200S162-54	33	24'7"e	21'4"e	17'5"e	24'7"e	21'2"e	16'8"e	24'7"e	21'4"e	17'5"e	24'7"e	21'2"e	16'8"e
1200S162-54	50	27'9"e	24'2"e	19'9"e	27'11"e	24'1"e	18'9"e	25'4"e	22'11"e	19'9"e	27'11"e	24'1"e	18'9"e
1200S200-54	33	26'7"e	23'0"e	18'10"e	26'6"e	22'5"e	17'7"e	26'5"e	23'0"e	18'10"e	26'6"e	22'5"e	17'7"e
1200S200-54	50	28'11"e	26'2"e	21'4"e	29'7"e	24'11"e	19'3"e	26'5"e	23'11"e	20'10"e	29'6"e	24'11"e	19'3"e
1200S250-54	33	27'6"e	23'10"e	19'5"e	26'9"e	22'8"e	17'8"e	27'5"e	23'10"e	19'5"e	26'9"e	22'8"e	17'8"e
1200S250-54	50	30'1"e	27'0"e	22'1"e	30'0"e	25'3"e	19'6"e	27'5"e	24'11"e	21'8"e	30'0"e	25'3"e	19'6"e
1200S300-54	50	31'6"e	27'6"e	22'6"e	30'8"e	25'9"e	19'10"e	28'9"e	26'1"e	22'6"e	30'8"e	25'9"e	19'10"e
1200S162-68	33	29'2"	25'3"	20'7"e	29'2"	25'3"	20'7"	27'7"	25'0"	20'7"e	29'2"	25'3"	20'7"
1200S162-68	50	30'3"	27'5"	23'6"	33'2"	28'9"	23'6"	27'7"	25'0"	21'9"	30'10"	27'11"	23'6"
1200S200-68	33	31'4"	27'1"	22'2"e	31'4"	27'1"	22'0"	28'9"	26'1"	22'2"e	31'4"	27'1"	22'0"
1200S200-68	50	31'6"	28'7"	24'11"	35'2"	30'11"	25'3"	28'9"	26'1"	22'8"	32'1"	29'1"	25'3"
1200S250-68	33	32'5"	28'1"	22'11"e	32'5"	28'1"	22'11"	29'10"	27'1"	22'11"e	32'5"	28'1"	22'11"
1200S250-68	50	32'9"	29'8"	25'10"	36'7"	31'11"	25'9"	29'10"	27'1"	23'7"	33'4"	30'3"	25'9"
1200S300-68	50	34'0"	30'11"	26'7"	37'7"	32'7"	26'7"	30'11"	28'1"	24'6"	34'8"	31'6"	26'7"

See notes located on page 2

TRADITIONAL FLOOR JOIST SPAN TABLES - 10 PSF DEAD LOAD AND 30 PSF LIVE LOAD

		10 psf Dead Load and 30 psf Live Load											
		L/360 Live Load Deflection for 30 psf						L/480 Live Load Deflection for 30 psf					
		Single Span Spacing (in)			Two Equal Span Spacing (in)			Single Span Spacing (in)			Two Equal Span Spacing (in)		
Section	Fy(ksi)	12"	16"	24"	12"	16"	24"	12"	16"	24"	12"	16"	24"
1200S162-97	33	34'0"	30'11"	26'5"	37'5"	32'5"	26'5"	30'11"	28'1"	24'6"	34'8"	31'6"	26'5"
1200S162-97	50	34'0"	30'11"	27'0"	38'2"	34'8"	30'3"	30'11"	28'1"	24'6"	34'8"	31'6"	27'6"
1200S200-97	33	35'5"	32'2"	28'1"	39'9"	34'6"	28'2"	32'2"	29'3"	25'6"	36'1"	32'10"	28'2"
1200S200-97	50	35'5"	32'2"	28'1"	39'9"	36'1"	31'6"	32'2"	29'3"	25'6"	36'1"	32'10"	28'8"
1200S250-97	33	36'9"	33'4"	29'2"	41'3"	35'10"	29'3"	33'4"	30'4"	26'6"	37'6"	34'1"	29'3"
1200S250-97	50	36'9"	33'4"	29'2"	41'3"	37'6"	32'9"	33'4"	30'4"	26'6"	37'6"	34'1"	29'9"
1200S300-97	50	38'0"	34'6"	30'2"	42'8"	38'9"	33'10"	34'6"	31'4"	27'5"	38'9"	35'2"	30'9"
1200S162-118	50	36'1"	32'9"	28'7"	40'6"	36'9"	32'1"	32'9"	29'9"	26'0"	36'9"	33'5"	29'2"
1200S200-118	50	37'7"	34'1"	29'10"	42'2"	38'4"	33'6"	34'1"	31'0"	27'1"	38'4"	34'10"	30'5"
1200S250-118	50	39'0"	35'5"	30'11"	43'9"	39'9"	34'9"	35'5"	32'2"	28'2"	39'9"	36'2"	31'7"
1200S300-118	50	40'4"	36'8"	32'0"	45'4"	41'2"	36'0"	36'8"	33'4"	29'1"	41'2"	37'5"	32'8"
1200S350-118	50	42'4"	38'5"	33'7"	47'6"	43'2"	37'8"	38'5"	34'11"	30'6"	43'2"	39'3"	34'3"
1400S162-54	33	26'1"e	22'7"e	18'5"e	26'1"e	22'0"e	16'11"e	26'1"e	22'7"e	18'5"e	26'1"e	22'0"e	16'11"e
1400S162-54	50	29'6"e	25'6"e	20'10"e	29'6"e	24'7"e	18'7"e	28'6"e	25'6"e	20'10"e	29'6"e	24'7"e	18'7"e
1400S200-54	33	28'4"e	24'6"e	20'0"e	27'8"e	23'2"e	17'8"e	28'4"e	24'6"e	20'0"e	27'8"e	23'2"e	17'8"e
1400S200-54	50	32'1"e	27'9"e	22'8"e	30'6"e	25'3"e	19'0"e	29'8"e	26'11"e	22'8"e	30'6"e	25'3"e	19'0"e
1400S250-54	33	29'6"e	25'6"e	20'10"e	27'10"e	23'4"e	17'9"e	29'6"e	25'6"e	20'10"e	27'10"e	23'4"e	17'9"e
1400S250-54	50	33'4"e	28'10"e	23'7"e	30'10"e	25'7"e	19'2"e	30'10"e	27'11"e	23'7"e	30'10"e	25'7"e	19'2"e
1400S300-54	50	34'1"e	29'7"e	24'1"e	31'1"e	25'9"e	19'3"e	31'10"e	28'9"e	24'1"e	31'1"e	25'9"e	19'3"e
1400S162-68	33	31'1"	26'11"	22'0"e	31'1"	26'11"	22'0"	31'1"	26'11"	22'0"e	31'1"	26'11"	22'0"
1400S162-68	50	34'1"	30'6"	24'11"	35'3"	30'6"	24'11"	31'2"	28'3"	24'7"	34'9"	30'6"	24'11"
1400S200-68	33	33'6"	29'1"	23'9"e	33'6"	29'1"	23'5"	32'5"	29'1"	23'9"e	33'6"	29'1"	23'5"
1400S200-68	50	35'6"	32'2"	26'11"	38'1"	33'0"	26'10"	32'5"	29'4"	25'7"	36'2"	32'9"	26'10"
1400S250-68	33	34'10"	30'2"e	24'8"e	34'10"	30'2"	24'3"	33'7"	30'2"e	24'8"e	34'10"	30'2"	24'3"
1400S250-68	50	36'10"	33'4"	27'11"	39'6"	34'2"	27'0"	33'7"	30'6"	26'6"	37'6"	34'0"	27'0"
1400S300-68	50	38'1"	34'5"	28'7"	40'6"	34'7"	27'3"	34'8"	31'6"	27'5"	38'9"	34'7"	27'3"
1400S162-97	33	38'10"	34'11"	28'6"	40'4"	34'11"	28'6"	35'3"	32'0"	28'0"	39'7"	34'11"	28'6"
1400S162-97	50	38'10"	35'3"	30'8"	43'5"	39'4"	32'8"	35'3"	32'0"	28'0"	39'7"	35'11"	31'3"
1400S200-97	33	40'3"	36'7"	30'6"	43'2"	37'5"	30'6"	36'7"	33'3"	29'1"	41'1"	37'4"	30'6"
1400S200-97	50	40'3"	36'7"	31'11"	45'2"	40'11"	35'0"	36'7"	33'3"	29'1"	41'1"	37'4"	32'6"
1400S250-97	33	41'8"	37'11"	31'8"	44'10"	38'10"	31'8"	37'11"	34'5"	30'1"	42'6"	38'8"	31'8"
1400S250-97	50	41'8"	37'11"	33'1"	46'9"	42'5"	36'3"	37'11"	34'5"	30'1"	42'6"	38'8"	33'8"
1400S300-97	50	43'0"	39'1"	34'2"	48'3"	43'10"	37'2"	39'1"	35'6"	31'0"	43'11"	39'11"	34'9"
1400S162-118	50	41'2"	37'5"	32'8"	46'3"	42'0"	36'8"	37'5"	34'0"	29'8"	42'0"	38'2"	33'4"
1400S200-118	50	42'9"	38'10"	33'11"	48'0"	43'8"	38'1"	38'10"	35'4"	30'10"	43'8"	39'8"	34'8"
1400S250-118	50	44'4"	40'3"	35'2"	49'9"	45'2"	39'6"	40'3"	36'7"	31'11"	45'2"	41'1"	35'10"
1400S300-118	50	45'9"	41'7"	36'4"	51'4"	46'8"	40'9"	41'7"	37'9"	33'0"	46'8"	42'5"	37'0"
1400S350-118	50	47'10"	43'6"	38'0"	53'9"	48'10"	42'8"	43'6"	39'6"	34'6"	48'10"	44'4"	38'9"
1600S200-68	50	39'4"	34'8"	28'4"	40'1"	34'8"	27'5"	35'11"	32'7"	28'4"	40'0"	34'8"	27'5"
1600S250-68	50	40'9"	36'2"	29'6"	41'9"	35'5"	27'7"	37'2"	33'9"	29'4"	41'6"	35'5"	27'7"
1600S300-68	50	42'0"	37'2"	30'4"	42'5"	35'10"	27'10"	38'5"	34'10"	30'3"	42'5"	35'10"	27'10"
1600S350-68	50	44'0"	39'11"	34'0"	46'3"	38'10"	29'10"	40'2"	36'5"	31'9"	44'11"	38'10"	29'10"
1600S200-97	50	44'11"	40'9"	35'6"	50'2"	45'5"	37'1"	41'0"	37'2"	32'5"	45'10"	41'6"	36'2"
1600S250-97	50	46'6"	42'2"	36'8"	51'11"	47'1"	38'7"	42'4"	38'5"	33'6"	47'4"	42'11"	37'5"
1600S300-97	50	47'11"	43'5"	37'10"	53'7"	48'6"	39'7"	43'7"	39'7"	34'6"	48'10"	44'3"	38'7"
1600S350-97	50	50'0"	45'5"	39'7"	56'0"	50'9"	43'10"	45'6"	41'4"	36'1"	51'0"	46'3"	40'4"
1600S200-118	50	47'11"	43'7"	38'1"	53'10"	48'10"	42'7"	43'7"	39'7"	34'7"	48'11"	44'5"	38'10"
1600S250-118	50	49'6"	45'0"	39'4"	55'7"	50'6"	44'0"	45'0"	40'11"	35'9"	50'6"	45'11"	40'1"
1600S300-118	50	51'0"	46'4"	40'6"	57'4"	52'1"	45'5"	46'4"	42'2"	36'10"	52'1"	47'4"	41'4"
1600S350-118	50	53'4"	48'5"	42'4"	59'10"	54'4"	47'5"	48'5"	44'0"	38'5"	54'4"	49'5"	43'2"

See notes located on page 2

TRADITIONAL FLOOR JOIST SPAN TABLES - 10 PSF DEAD LOAD AND 40 PSF LIVE LOAD

		10 psf Dead Load and 40 psf Live Load											
		L/360 Live Load Deflection for 40 psf						L/480 Live Load Deflection for 40 psf					
Section	Fy(ksi)	Single Span Spacing (in)			Two Equal Span Spacing (in)			Single Span Spacing (in)			Two Equal Span Spacing (in)		
		12"	16"	24"	12"	16"	24"	12"	16"	24"	12"	16"	24"
600S162-33	33	11'3"e	9'9"e	7'11"e	11'3"	9'6"	7'4"e	11'3"e	9'9"e	7'11"e	11'3"	9'6"	7'4"e
600S200-33	33	12'0"e	10'4"e	8'6"e	11'7"	9'9"e	7'6"e	11'11"e	10'4"e	8'6"e	11'7"	9'9"e	7'6"e
600S162-43	33	13'8"	12'0"e	9'10"e	13'11"	12'0"	9'10"	12'5"	11'3"	9'10"e	13'11"	12'0"	9'10"
600S200-43	33	14'4"	12'5"e	10'2"e	14'4"	12'5"	10'0"	13'0"	11'10"	10'2"e	14'4"	12'5"	10'0"
600S250-43	33	14'8"	12'9"e	10'5"e	14'8"	12'9"	10'2"	13'7"	12'4"e	10'5"e	14'8"	12'9"	10'2"
600S162-54	33	14'7"	13'3"	11'6"	16'3"	14'1"	11'5"	13'3"	12'1"	10'7"	14'11"	13'7"	11'5"
600S162-54	50	14'7"	13'3"	11'7"	16'5"	14'11"	13'0"	13'3"	12'1"	10'7"	14'11"	13'7"	11'10"
600S200-54	33	15'4"	14'0"	12'2"e	17'2"	14'10"	12'2"	14'0"	12'8"	11'1"	15'8"	14'3"	12'2"
600S200-54	50	15'4"	14'0"	12'2"	17'3"	15'8"	13'6"	14'0"	12'8"	11'1"	15'8"	14'3"	12'5"
600S250-54	33	16'1"	14'8"	12'1"e	17'1"	14'9"	11'10"	14'8"	13'3"	11'7"	16'5"	14'9"	11'10"
600S250-54	50	16'1"	14'8"	12'9"	18'1"	16'5"	13'10"	14'8"	13'3"	11'7"	16'5"	14'11"	13'0"
600S300-54	50	16'9"	15'2"	13'2"	18'8"	16'10"	14'0"	15'3"	13'10"	12'1"	17'1"	15'6"	13'5"
600S162-68	33	15'8"	14'3"	12'5"	17'7"	16'0"	12'11"	14'3"	12'11"	11'4"	16'0"	14'6"	12'8"
600S162-68	50	15'8"	14'3"	12'5"	17'7"	16'0"	14'0"	14'3"	12'11"	11'4"	16'0"	14'6"	12'8"
600S200-68	33	16'6"	15'0"	13'1"	18'6"	16'10"	13'9"	15'0"	13'7"	11'11"	16'10"	15'3"	13'4"
600S200-68	50	16'6"	15'0"	13'1"	18'6"	16'10"	14'8"	15'0"	13'7"	11'11"	16'10"	15'3"	13'4"
600S250-68	33	17'3"	15'8"	13'9"	19'5"	17'8"	14'3"	15'8"	14'3"	12'6"	17'8"	16'0"	14'0"
600S250-68	50	17'3"	15'8"	13'9"	19'5"	17'8"	15'5"	15'8"	14'3"	12'6"	17'8"	16'0"	14'0"
600S300-68	50	18'0"	16'4"	14'4"	20'3"	18'4"	15'11"	16'4"	14'10"	13'0"	18'5"	16'8"	14'7"
600S162-97	33	17'4"	15'9"	13'9"	19'6"	17'9"	15'4"	15'9"	14'4"	12'6"	17'9"	16'1"	14'1"
600S162-97	50	17'4"	15'9"	13'9"	19'6"	17'9"	15'6"	15'9"	14'4"	12'6"	17'9"	16'1"	14'1"
600S200-97	33	18'4"	16'8"	14'6"	20'7"	18'8"	16'3"	16'8"	15'1"	13'2"	18'8"	17'0"	14'10"
600S200-97	50	18'4"	16'8"	14'6"	20'7"	18'8"	16'4"	16'8"	15'1"	13'2"	18'8"	17'0"	14'10"
600S250-97	33	19'3"	17'6"	15'3"	21'7"	19'7"	17'2"	17'6"	15'10"	13'10"	19'7"	17'10"	15'7"
600S250-97	50	19'3"	17'6"	15'3"	21'7"	19'7"	17'2"	17'6"	15'10"	13'10"	19'7"	17'10"	15'7"
600S300-97	50	20'1"	18'3"	15'11"	22'6"	20'5"	17'10"	18'3"	16'7"	14'6"	20'5"	18'7"	16'3"
600S162-118	50	18'4"	16'8"	14'7"	20'7"	18'9"	16'4"	16'8"	15'2"	13'3"	18'9"	17'0"	14'10"
600S200-118	50	19'4"	17'7"	15'4"	21'9"	19'9"	17'3"	17'7"	16'0"	14'0"	19'9"	17'11"	15'8"
600S250-118	50	20'4"	18'6"	16'2"	22'10"	20'9"	18'2"	18'6"	16'10"	14'8"	20'9"	18'10"	16'6"
600S300-118	50	21'3"	19'4"	16'10"	23'10"	21'8"	18'11"	19'4"	17'7"	15'4"	21'8"	19'8"	17'2"
600S350-118	50	22'5"	20'4"	17'9"	25'2"	22'10"	20'0"	20'4"	18'6"	16'2"	22'10"	20'9"	18'2"
800S162-33	33	13'0"e	11'3"e	9'2"e	11'3"e	9'2"e	6'8"e	13'0"e	11'3"e	9'2"e	11'3"e	9'2"e	6'8"e
800S200-33	33	13'11"e	12'1"e	9'6"e	11'8"e	9'6"e	6'10"e	13'11"e	12'1"e	9'6"e	11'8"e	9'6"e	6'10"e
800S162-43	33	15'8"e	13'6"e	11'1"e	15'5"	13'1"	10'4"e	15'6"e	13'6"e	11'1"e	15'5"	13'1"	10'4"e
800S200-43	33	16'9"e	14'6"e	11'10"e	16'9"	14'6"	11'3"e	16'4"e	14'6"e	11'10"e	16'9"	14'6"	11'3"e
800S250-43	33	17'2"e	14'10"e	12'2"e	17'2"	14'7"	11'4"e	17'0"e	14'10"e	12'2"e	17'2"	14'7"	11'4"e
800S162-54	33	18'3"	15'10"	12'11"e	18'3"	15'10"	12'9"	16'9"	15'3"	12'11"e	18'3"	15'10"	12'9"
800S162-54	50	18'5"	16'8"	14'7"	20'7"	18'1"	14'9"	16'9"	15'3"	13'3"	18'9"	17'0"	14'9"
800S200-54	33	19'4"	17'5"e	14'3"e	20'1"	17'5"	14'3"	17'6"	15'11"	13'11"e	19'8"	17'5"	14'3"
800S200-54	50	19'4"	17'6"	15'4"	21'8"	19'4"	15'9"	17'6"	15'11"	13'11"	19'8"	17'11"	15'7"
800S250-54	33	20'0"	17'4"e	14'2"e	20'0"	17'4"	14'2"	18'3"	16'7"	14'2"e	20'0"	17'4"	14'2"
800S250-54	50	20'2"	18'3"	16'0"	22'7"	19'9"	16'2"	18'3"	16'7"	14'6"	20'6"	18'8"	16'2"
800S300-54	50	20'10"	18'11"	16'4"	23'2"	20'1"	16'4"	19'0"	17'3"	15'0"	21'3"	19'3"	16'4"
800S162-68	33	19'9"	18'0"	15'0"	21'2"	18'3"	14'10"	18'0"	16'4"	14'3"	20'2"	18'3"	14'10"
800S162-68	50	19'9"	18'0"	15'8"	22'3"	20'2"	17'4"	18'0"	16'4"	14'3"	20'2"	18'4"	16'0"
800S200-68	33	20'9"	18'10"	16'5"	23'3"	20'5"	16'8"	18'10"	17'1"	14'11"	21'2"	19'2"	16'8"
800S200-68	50	20'9"	18'10"	16'5"	23'3"	21'2"	18'6"	18'10"	17'1"	14'11"	21'2"	19'2"	16'9"
800S250-68	33	21'8"	19'8"	17'1"	24'1"	20'11"	17'1"	19'8"	17'10"	15'7"	22'1"	20'1"	17'1"
800S250-68	50	21'8"	19'8"	17'2"	24'3"	22'1"	18'11"	19'8"	17'10"	15'7"	22'1"	20'1"	17'6"
800S300-68	50	22'6"	20'5"	17'10"	25'2"	22'10"	19'3"	20'5"	18'7"	16'2"	22'11"	20'10"	18'2"
800S162-97	33	22'0"	20'0"	17'5"	24'8"	22'5"	19'5"	20'0"	18'2"	15'10"	22'5"	20'4"	17'10"
800S162-97	50	22'0"	20'0"	17'5"	24'8"	22'5"	19'7"	20'0"	18'2"	15'10"	22'5"	20'4"	17'10"

See notes located on page 2

TRADITIONAL FLOOR JOIST SPAN TABLES - 10 PSF DEAD LOAD AND 40 PSF LIVE LOAD

		10 psf Dead Load and 40 psf Live Load											
		L/360 Live Load Deflection for 40 psf						L/480 Live Load Deflection for 40 psf					
Section	Fy(ksi)	Single Span Spacing (in)			Two Equal Span Spacing (in)			Single Span Spacing (in)			Two Equal Span Spacing (in)		
		12"	16"	24"	12"	16"	24"	12"	16"	24"	12"	16"	24"
800S200-97	33	23'1"	20'11"	18'4"	25'11"	23'6"	20'6"	20'11"	19'0"	16'7"	23'6"	21'4"	18'8"
800S200-97	50	23'1"	20'11"	18'4"	25'11"	23'6"	20'6"	20'11"	19'0"	16'7"	23'6"	21'4"	18'8"
800S250-97	33	24'1"	21'11"	19'1"	27'1"	24'7"	21'6"	21'11"	19'11"	17'4"	24'7"	22'4"	19'6"
800S250-97	50	24'1"	21'11"	19'1"	27'1"	24'7"	21'6"	21'11"	19'11"	17'4"	24'7"	22'4"	19'6"
800S300-97	50	25'1"	22'9"	19'11"	28'1"	25'7"	22'4"	22'9"	20'8"	18'1"	25'7"	23'3"	20'3"
800S162-118	50	23'3"	21'1"	18'5"	26'1"	23'9"	20'9"	21'1"	19'2"	16'9"	23'9"	21'7"	18'10"
800S200-118	50	24'5"	22'2"	19'5"	27'5"	24'11"	21'9"	22'2"	20'2"	17'7"	24'11"	22'8"	19'9"
800S250-118	50	25'6"	23'2"	20'3"	28'8"	26'1"	22'9"	23'2"	21'1"	18'5"	26'1"	23'8"	20'8"
800S300-118	50	26'7"	24'2"	21'1"	29'10"	27'1"	23'8"	24'2"	21'11"	19'2"	27'1"	24'8"	21'6"
800S350-118	50	28'0"	25'5"	22'2"	31'5"	28'6"	24'11"	25'5"	23'1"	20'2"	28'6"	25'11"	22'8"
1000S162-43	33	17'4"e	15'0"e	12'3"e	16'5"e	13'8"e	10'5"e	17'4"e	15'0"e	12'3"e	16'5"e	13'8"e	10'5"e
1000S200-43	33	18'8"e	16'2"e	13'2"e	17'3"e	14'3"e	10'9"e	18'8"e	16'2"e	13'2"e	17'3"e	14'3"e	10'9"e
1000S250-43	33	19'3"e	16'8"e	13'7"e	17'10"e	14'9"e	11'0"e	19'3"e	16'8"e	13'7"e	17'10"e	14'9"e	11'0"e
1000S162-54	33	20'4"	17'8"e	14'5"e	20'4"	17'6"	13'11"	20'0"	17'8"e	14'5"e	20'4"	17'6"	13'11"
1000S162-54	50	21'11"	19'10"	16'5"	23'2"	20'1"	15'10"	20'0"	18'1"	15'9"	22'4"	20'1"	15'10"
1000S200-54	33	21'10"	18'11"e	15'6"e	21'10"	18'7"	14'9"	20'10"	18'11"e	15'6"e	21'10"	18'7"	14'9"
1000S200-54	50	22'10"	20'9"	17'8"e	24'7"	20'10"	16'4"	20'10"	18'11"	16'6"	23'4"	20'10"	16'4"
1000S250-54	33	22'6"e	19'6"e	15'11"e	22'6"	19'6"	15'7"e	21'10"	19'6"e	15'11"e	22'6"	19'6"	15'7"e
1000S250-54	50	24'0"	21'10"	18'1"e	25'7"	21'9"	17'0"	21'10"	19'10"	17'4"e	24'6"	21'9"	17'0"
1000S300-54	50	24'9"	22'5"	18'5"e	25'9"	21'10"	17'1"	22'7"	20'6"	17'10"e	25'3"	21'10"	17'1"
1000S162-68	33	23'9"	20'9"	16'11"e	23'11"	20'9"	16'10"	21'7"	19'8"	16'11"e	23'11"	20'9"	16'10"
1000S162-68	50	23'9"	21'7"	18'9"	26'7"	23'9"	19'5"	21'7"	19'8"	17'2"	24'3"	22'0"	19'2"
1000S200-68	33	24'10"	22'2"	18'1"e	25'7"	22'2"	18'0"	22'7"	20'6"	17'11"e	25'4"	22'2"	18'0"
1000S200-68	50	24'10"	22'6"	19'8"	27'9"	25'2"	20'9"	22'7"	20'6"	17'11"	25'4"	22'11"	20'0"
1000S250-68	33	25'10"	23'5"	19'3"e	27'3"	23'7"	19'3"	23'5"	21'4"	18'7"e	26'4"	23'7"	19'3"
1000S250-68	50	25'10"	23'5"	20'6"	29'0"	26'1"	21'4"	23'5"	21'4"	18'7"	26'4"	23'11"	20'11"
1000S300-68	50	26'9"	24'4"	21'2"	29'11"	26'6"	21'8"	24'4"	22'1"	19'3"	27'3"	24'9"	21'7"
1000S162-97	33	26'6"	24'1"	21'0"	29'9"	25'9"	20'11"	24'1"	21'10"	19'1"	27'0"	24'6"	20'11"
1000S162-97	50	26'6"	24'1"	21'0"	29'9"	27'0"	23'7"	24'1"	21'10"	19'1"	27'0"	24'6"	21'5"
1000S200-97	33	27'8"	25'1"	21'11"	31'0"	27'5"	22'4"	25'1"	22'10"	19'11"	28'2"	25'7"	22'4"
1000S200-97	50	27'8"	25'1"	21'11"	31'0"	28'2"	24'8"	25'1"	22'10"	19'11"	28'2"	25'7"	22'5"
1000S250-97	33	28'9"	26'2"	22'10"	32'4"	29'4"	24'9"	26'2"	23'9"	20'9"	29'4"	26'8"	23'4"
1000S250-97	50	28'9"	26'2"	22'10"	32'4"	29'4"	25'8"	26'2"	23'9"	20'9"	29'4"	26'8"	23'4"
1000S300-97	50	29'10"	27'1"	23'8"	33'6"	30'5"	26'7"	27'1"	24'8"	21'6"	30'5"	27'8"	24'2"
1000S162-118	50	28'0"	25'6"	22'3"	31'6"	28'7"	25'0"	25'6"	23'2"	20'3"	28'7"	26'0"	22'8"
1000S200-118	50	29'4"	26'8"	23'3"	32'11"	29'11"	26'1"	26'8"	24'2"	21'2"	29'11"	27'2"	23'9"
1000S250-118	50	30'7"	27'9"	24'3"	34'4"	31'2"	27'3"	27'9"	25'3"	22'0"	31'2"	28'4"	24'9"
1000S300-118	50	31'8"	28'9"	25'2"	35'7"	32'4"	28'3"	28'9"	26'2"	22'10"	32'4"	29'4"	25'8"
1000S350-118	50	33'4"	30'3"	26'5"	37'5"	34'0"	29'8"	30'3"	27'6"	24'0"	34'0"	30'10"	26'11"
1200S162-54	33	22'0"e	19'1"e	15'7"e	21'11"e	18'7"e	14'6"e	22'0"e	19'1"e	15'7"e	21'11"e	18'7"e	14'6"e
1200S162-54	50	25'0"e	21'7"e	17'8"e	25'0"e	21'0"e	16'2"e	23'0"e	20'10"e	17'8"e	25'0"e	21'0"e	16'2"e
1200S200-54	33	23'10"e	20'7"e	16'10"e	23'3"e	19'8"e	15'2"e	23'10"e	20'7"e	16'10"e	23'3"e	19'8"e	15'2"e
1200S200-54	50	26'3"e	23'5"e	19'1"e	25'11"e	21'8"e	16'6"e	24'0"e	21'9"e	18'11"e	25'11"e	21'8"e	16'6"e
1200S250-54	33	24'7"e	21'4"e	17'5"e	23'6"e	19'10"e	15'4"e	24'7"e	21'4"e	17'5"e	23'6"e	19'10"e	15'4"e
1200S250-54	50	27'4"e	24'2"e	19'9"e	26'3"e	21'11"e	16'9"e	24'11"e	22'7"e	19'8"e	26'3"e	21'11"e	16'9"e
1200S300-54	50	28'5"e	24'8"e	20'1"e	26'10"e	22'5"e	17'0"e	26'1"e	23'8"e	20'1"e	26'10"e	22'5"e	17'0"e
1200S162-68	33	26'1"	22'7"	18'5"e	26'1"	22'7"	18'5"	25'1"	22'7"	18'5"e	26'1"	22'7"	18'5"
1200S162-68	50	27'5"	24'11"	21'0"	29'8"	25'9"	21'0"	25'1"	22'9"	19'9"	28'0"	25'4"	21'0"
1200S200-68	33	28'0"	24'3"	19'10"e	28'0"	24'3"	19'6"	26'1"	23'8"	19'10"e	28'0"	24'3"	19'6"
1200S200-68	50	28'7"	25'11"	22'7"	31'11"	27'8"	22'7"	26'1"	23'8"	20'7"	29'2"	26'5"	22'7"
1200S250-68	33	29'0"	25'1"e	20'6"e	29'0"	25'1"	20'3"	27'1"	24'7"e	20'6"e	29'0"	25'1"	20'3"
1200S250-68	50	29'9"	26'11"	23'4"	33'0"	28'6"	22'8"	27'1"	24'7"	21'5"	30'4"	27'6"	22'8"
1200S300-68	50	30'11"	28'1"	23'9"	33'7"	29'1"	23'8"	28'1"	25'6"	22'3"	31'6"	28'7"	23'8"

See notes located on page 2

TRADITIONAL FLOOR JOIST SPAN TABLES - 10 PSF DEAD LOAD AND 40 PSF LIVE LOAD

		10 psf Dead Load and 40 psf Live Load											
		L/360 Live Load Deflection for 40 psf						L/480 Live Load Deflection for 40 psf					
Section	Fy(ksi)	Single Span Spacing (in)			Two Equal Span Spacing (in)			Single Span Spacing (in)			Two Equal Span Spacing (in)		
		12"	16"	24"	12"	16"	24"	12"	16"	24"	12"	16"	24"
1200S162-97	33	30'11"	28'1"	23'8"	33'5"	28'11"	23'8"	28'1"	25'6"	22'3"	31'6"	28'8"	23'8"
1200S162-97	50	30'11"	28'1"	24'6"	34'8"	31'6"	27'3"	28'1"	25'6"	22'3"	31'6"	28'8"	25'0"
1200S200-97	33	32'2"	29'3"	25'3"	35'8"	30'11"	25'1"	29'3"	26'6"	23'2"	32'10"	29'10"	25'1"
1200S200-97	50	32'2"	29'3"	25'6"	36'1"	32'10"	28'8"	29'3"	26'6"	23'2"	32'10"	29'10"	26'0"
1200S250-97	33	33'4"	30'4"	26'2"	37'0"	32'0"	26'2"	30'4"	27'7"	24'1"	34'1"	30'11"	26'2"
1200S250-97	50	33'4"	30'4"	26'6"	37'6"	34'1"	29'9"	30'4"	27'7"	24'1"	34'1"	30'11"	27'0"
1200S300-97	50	34'6"	31'4"	27'5"	38'9"	35'2"	30'8"	31'4"	28'6"	24'11"	35'2"	32'0"	27'11"
1200S162-118	50	32'9"	29'9"	26'0"	36'9"	33'5"	29'2"	29'9"	27'0"	23'7"	33'5"	30'4"	26'6"
1200S200-118	50	34'1"	31'0"	27'1"	38'4"	34'10"	30'5"	31'0"	28'2"	24'7"	34'10"	31'7"	27'7"
1200S250-118	50	35'5"	32'2"	28'2"	39'9"	36'2"	31'7"	32'2"	29'3"	25'7"	36'2"	32'10"	28'8"
1200S300-118	50	36'8"	33'4"	29'1"	41'2"	37'5"	32'8"	33'4"	30'3"	26'5"	37'5"	34'0"	29'8"
1200S350-118	50	38'5"	34'11"	30'6"	43'2"	39'3"	34'3"	34'11"	31'9"	27'9"	39'3"	35'8"	31'1"
1400S162-54	33	23'4"e	20'3"e	16'6"e	22'10"e	19'1"e	14'6"e	23'4"e	20'3"e	16'6"e	22'10"e	19'1"e	14'6"e
1400S162-54	50	26'4"e	22'10"e	18'8"e	25'8"e	21'2"e	15'9"e	25'10"e	22'10"e	18'8"e	25'8"e	21'2"e	15'9"e
1400S200-54	33	25'4"e	21'11"e	17'11"e	24'1"e	20'0"e	15'1"e	25'4"e	21'11"e	17'11"e	24'1"e	20'0"e	15'1"e
1400S200-54	50	28'8"e	24'10"e	20'3"e	26'4"e	21'8"e	16'0"e	26'11"e	24'5"e	20'3"e	26'4"e	21'8"e	16'0"e
1400S250-54	33	26'4"e	22'10"e	18'8"e	24'3"e	20'2"e	15'2"e	26'4"e	22'10"e	18'8"e	24'3"e	20'2"e	15'2"e
1400S250-54	50	29'10"e	25'10"e	21'1"e	26'8"e	21'10"e	16'2"e	28'0"e	25'4"e	21'1"e	26'8"e	21'10"e	16'2"e
1400S300-54	50	30'6"e	26'5"e	21'7"e	26'10"e	22'0"e	16'2"e	28'10"e	26'1"e	21'7"e	26'10"e	22'0"e	16'2"e
1400S162-68	33	27'10"	24'1"e	19'8"e	27'10"	24'1"	19'6"	27'10"	24'1"e	19'8"e	27'10"	24'1"	19'6"
1400S162-68	50	30'11"	27'4"	22'4"	31'6"	27'4"	22'4"	28'3"	25'8"	22'3"	31'6"	27'4"	22'4"
1400S200-68	33	30'0"	26'0"e	21'3"e	30'0"	25'11"	20'7"	29'5"	26'0"e	21'3"e	30'0"	25'11"	20'7"
1400S200-68	50	32'3"	29'2"	24'1"e	34'1"	29'6"	23'5"	29'5"	26'8"	23'2"	32'10"	29'6"	23'5"
1400S250-68	33	31'2"	27'0"e	22'0"e	31'2"	26'10"	21'3"e	30'6"	27'0"e	22'0"e	31'2"	26'10"	21'3"e
1400S250-68	50	33'5"	30'4"	25'0"e	35'4"	30'0"	23'7"	30'6"	27'8"	24'1"e	34'1"	30'0"	23'7"
1400S300-68	50	34'6"	31'2"	25'7"e	35'10"	30'5"	23'10"	31'6"	28'7"	24'10"e	35'2"	30'5"	23'10"
1400S162-97	33	35'3"	31'3"	25'6"	36'1"	31'3"	25'6"	32'0"	29'1"	25'5"	36'0"	31'3"	25'6"
1400S162-97	50	35'3"	32'0"	27'10"	39'5"	35'9"	29'2"	32'0"	29'1"	25'5"	36'0"	32'7"	28'5"
1400S200-97	33	36'7"	33'3"	27'4"	38'7"	33'5"	27'4"	33'3"	30'2"	26'5"	37'4"	33'5"	27'4"
1400S200-97	50	36'7"	33'3"	29'0"	41'0"	37'2"	31'4"	33'3"	30'2"	26'5"	37'4"	33'11"	29'6"
1400S250-97	33	37'11"	34'5"	28'4"	40'1"	34'9"	28'4"	34'5"	31'3"	27'4"	38'8"	34'9"	28'4"
1400S250-97	50	37'11"	34'5"	30'0"	42'5"	38'6"	32'5"	34'5"	31'3"	27'4"	38'8"	35'1"	30'7"
1400S300-97	50	39'1"	35'6"	31'0"	43'10"	39'9"	33'3"	35'6"	32'3"	28'2"	39'11"	36'3"	31'7"
1400S162-118	50	37'5"	34'0"	29'8"	42'0"	38'2"	33'4"i	34'0"	30'11"	27'0"	38'2"	34'8"	30'3"
1400S200-118	50	38'10"	35'4"	30'10"	43'8"	39'8"	34'8"i	35'4"	32'1"	28'0"	39'8"	36'0"	31'6"
1400S250-118	50	40'3"	36'7"	31'11"	45'2"	41'1"	35'10"i	36'7"	33'3"	29'0"	41'1"	37'4"	32'7"
1400S300-118	50	41'7"	37'9"	33'0"	46'8"	42'5"	37'0"i	37'9"	34'4"	30'0"	42'5"	38'6"	33'8"
1400S350-118	50	43'6"	39'6"	34'6"	48'10"	44'4"	38'9"i	39'6"	35'11"	31'4"	44'4"	40'4"	35'2"
1600S200-68	50	35'8"	31'0"	25'4"	35'10"	30'10"	23'8"	32'7"	29'6"	25'4"	35'10"	30'10"	23'8"
1600S250-68	50	37'0"	32'4"	26'5"	36'10"	30'11"	23'9"	33'9"	30'7"	26'5"	36'10"	30'11"	23'9"
1600S300-68	50	38'1"	33'3"	27'2"	37'3"	31'3"	24'0"	34'10"	31'7"	27'2"	37'3"	31'3"	24'0"
1600S350-68	50	40'0"	36'3"	30'5"	40'5"	33'8"	25'7"	36'6"	33'1"	28'10"	40'5"	33'8"	25'7"
1600S200-97	50	40'10"	37'0"	32'2"	45'7"	40'7"	33'2"	37'3"	33'9"	29'5"	41'7"	37'8"	32'10"
1600S250-97	50	42'2"	38'3"	33'4"	47'2"	42'3"	34'6"	38'6"	34'11"	30'5"	43'0"	39'0"	34'0"
1600S300-97	50	43'6"	39'5"	34'4"	48'7"	43'5"	35'5"	39'7"	36'0"	31'4"	44'4"	40'3"	35'0"
1600S350-97	50	45'5"	41'3"	35'11"	50'10"	46'1"	39'1"	41'4"	37'7"	32'9"	46'4"	42'0"	36'8"
1600S200-118	50	43'7"	39'7"	34'7"	48'11"	44'4"	38'6"i	39'7"	35'11"	31'5"	44'5"	40'4"	35'3"i
1600S250-118	50	45'0"	40'11"	35'9"	50'6"	45'11"	40'0"i	40'11"	37'2"	32'5"	45'11"	41'9"	36'5"i
1600S300-118	50	46'4"	42'2"	36'10"	52'1"	47'4"	41'1"i	42'2"	38'3"	33'5"	47'4"	43'0"	37'7"i

See notes located on page 2

TRADITIONAL FLOOR JOIST SPAN TABLES - 10 PSF DEAD LOAD AND 50 PSF LIVE LOAD

		10 psf Dead Load and 50 psf Live Load											
		L/360 Live Load Deflection						L/480 Live Load Deflection					
		Single Span Spacing (in)			Two Equal Span Spacing (in)			Single Span Spacing (in)			Two Equal Span Spacing (in)		
Section	Fy(ksi)	12"	16"	24"	12"	16"	24"	12"	16"	24"	12"	16"	24"
600S162-33	33	10'3"e	8'11"e	7'3"e	10'1"	8'5"e	6'5"e	10'3"e	8'11"e	7'3"e	10'1"	8'5"e	6'5"e
600S200-33	33	10'11"e	9'6"e	7'9"e	10'5"	8'8"e	6'7"e	10'11"e	9'6"e	7'9"e	10'5"	8'8"e	6'7"e
600S162-43	33	12'8"	11'0"e	9'0"e	12'8"	11'0"	8'10"	11'6"	10'5"e	9'0"e	12'8"	11'0"	8'10"
600S200-43	33	13'1"	11'4"e	9'3"e	13'1"	11'4"	9'0"e	12'1"	11'0"e	9'3"e	13'1"	11'4"	9'0"e
600S250-43	33	13'5"e	11'7"e	9'6"e	13'5"	11'7"	9'2"e	12'8"	11'6"e	9'6"e	13'5"	11'7"	9'2"e
600S162-54	33	13'7"	12'4"	10'6"e	14'10"	12'10"	10'4"	12'4"	11'2"	9'9"	13'10"	12'7"	10'4"
600S162-54	50	13'7"	12'4"	10'9"	15'3"	13'10"	12'0"	12'4"	11'2"	9'9"	13'10"	12'7"	11'0"
600S200-54	33	14'3"	13'0"	11'1"e	15'8"	13'7"	11'0"	13'0"	11'9"	10'3"e	14'7"	13'3"	11'0"
600S200-54	50	14'3"	13'0"	11'4"	16'0"	14'7"	12'2"	13'0"	11'9"	10'3"	14'7"	13'3"	11'7"
600S250-54	33	14'11"	13'6"	11'0"e	15'7"	13'4"	10'9"	13'7"	12'4"	10'9"e	15'3"	13'4"	10'9"
600S250-54	50	14'11"	13'7"	11'10"	16'9"	15'3"	12'6"	13'7"	12'4"	10'9"	15'3"	13'10"	12'1"
600S300-54	50	15'7"	14'1"	12'3"	17'3"	15'7"	12'8"	14'2"	12'10"	11'2"	15'10"	14'4"	12'5"
600S162-68	33	14'7"	13'3"	11'7"	16'4"	14'7"	11'9"	13'3"	12'0"	10'6"	14'10"	13'6"	11'9"
600S162-68	50	14'7"	13'3"	11'7"	16'4"	14'10"	13'0"	13'3"	12'0"	10'6"	14'10"	13'6"	11'9"
600S200-68	33	15'4"	13'11"	12'2"	17'2"	15'6"	12'5"	13'11"	12'8"	11'0"	15'7"	14'2"	12'5"
600S200-68	50	15'4"	13'11"	12'2"	17'2"	15'7"	13'8"	13'11"	12'8"	11'0"	15'7"	14'2"	12'5"
600S250-68	33	16'1"	14'7"	12'9"	18'0"	16'0"	12'11"	14'7"	13'3"	11'7"	16'4"	14'10"	12'11"
600S250-68	50	16'1"	14'7"	12'9"	18'0"	16'4"	14'4"	14'7"	13'3"	11'7"	16'4"	14'10"	13'0"
600S300-68	50	16'9"	15'2"	13'3"	18'9"	17'0"	14'10"	15'2"	13'10"	12'1"	17'1"	15'6"	13'6"
600S162-97	33	16'2"	14'8"	12'10"	18'1"	16'5"	13'11"	14'8"	13'4"	11'8"	16'5"	14'11"	13'1"
600S162-97	50	16'2"	14'8"	12'10"	18'1"	16'5"	14'4"	14'8"	13'4"	11'8"	16'5"	14'11"	13'1"
600S200-97	33	17'0"	15'5"	13'6"	19'1"	17'4"	14'9"	15'5"	14'0"	12'3"	17'4"	15'9"	13'9"
600S200-97	50	17'0"	15'5"	13'6"	19'1"	17'4"	15'2"	15'5"	14'0"	12'3"	17'4"	15'9"	13'9"
600S250-97	33	17'10"	16'3"	14'2"	20'0"	18'2"	15'6"	16'3"	14'9"	12'10"	18'2"	16'6"	14'5"
600S250-97	50	17'10"	16'3"	14'2"	20'0"	18'2"	15'11"	16'3"	14'9"	12'10"	18'2"	16'6"	14'5"
600S300-97	50	18'7"	16'11"	14'9"	20'11"	19'0"	16'7"	16'11"	15'4"	13'5"	19'0"	17'3"	15'1"
600S162-118	50	17'0"	15'6"	13'6"	19'1"	17'4"	15'2"	15'6"	14'1"	12'3"	17'4"	15'9"	13'9"
600S200-118	50	18'0"	16'4"	14'3"	20'2"	18'4"	16'0"	16'4"	14'10"	13'0"	18'4"	16'8"	14'7"
600S250-118	50	18'11"	17'2"	15'0"	21'3"	19'3"	16'10"	17'2"	15'7"	13'7"	19'3"	17'6"	15'4"
600S300-118	50	19'9"	17'11"	15'8"	22'2"	20'2"	17'7"	17'11"	16'3"	14'3"	20'2"	18'3"	16'0"
600S350-118	50	20'10"	18'11"	16'6"	23'4"	21'3"	18'6"	18'11"	17'2"	15'0"	21'3"	19'3"	16'10"
800S162-33	33	11'10"e	10'3"e	7'11"e	9'10"e	8'0"e	5'9"e	11'10"e	10'3"e	7'11"e	9'10"e	8'0"e	5'9"e
800S200-33	33	12'8"e	11'0"e	7'11"e	10'3"e	8'2"e	5'10"e	12'8"e	11'0"e	7'11"e	10'3"e	8'2"e	5'10"e
800S162-43	33	14'3"e	12'4"e	10'1"e	13'11"	11'9"	9'2"e	14'3"e	12'4"e	10'1"e	13'11"	11'9"	9'2"e
800S200-43	33	15'3"e	13'3"e	10'10"e	15'3"	12'11"e	10'0"e	15'2"e	13'3"e	10'10"e	15'3"	12'11"e	10'0"e
800S250-43	33	15'8"e	13'7"e	11'1"e	15'6"	13'0"e	10'0"e	15'8"e	13'7"e	11'1"e	15'6"	13'0"e	10'0"e
800S162-54	33	16'8"	14'5"e	11'9"e	16'8"	14'4"	11'7"	15'7"	14'1"	11'9"e	16'8"	14'4"	11'7"
800S162-54	50	17'1"	15'6"	13'6"	19'1"	16'6"	13'5"	15'7"	14'1"	12'4"	17'5"	15'10"	13'5"
800S200-54	33	17'11"	15'11"e	13'0"e	18'4"	15'11"	13'0"e	16'3"	14'9"e	12'11"e	18'3"	15'11"	13'0"e
800S200-54	50	17'11"	16'3"	14'3"	20'1"	17'8"	14'5"	16'3"	14'9"	12'11"	18'3"	16'7"	14'5"
800S250-54	33	18'3"	15'10"e	12'11"e	18'3"	15'10"	12'11"e	17'0"	15'5"e	12'11"e	18'3"	15'10"	12'11"e
800S250-54	50	18'8"	17'0"	14'9"e	20'10"	18'1"	14'8"	17'0"	15'5"	13'6"	19'1"	17'4"	14'8"
800S300-54	50	19'4"	17'6"	14'11"e	21'2"	18'4"	14'9"	17'8"	16'0"	13'11"	19'9"	17'10"	14'9"
800S162-68	33	18'4"	16'8"	13'9"	19'4"	16'8"	13'6"	16'8"	15'2"	13'3"	18'9"	16'8"	13'6"
800S162-68	50	18'4"	16'8"	14'7"	20'7"	18'9"	15'10"	16'8"	15'2"	13'3"	18'9"	17'0"	14'10"
800S200-68	33	19'3"	17'6"	15'3"e	21'7"	18'8"	15'3"	17'6"	15'11"	13'10"	19'7"	17'10"	15'3"
800S200-68	50	19'3"	17'6"	15'3"	21'7"	19'7"	17'2"	17'6"	15'11"	13'10"	19'7"	17'10"	15'7"
800S250-68	33	20'1"	18'3"	15'7"e	22'0"	19'1"	15'7"	18'3"	16'7"	14'6"	20'6"	18'7"	15'7"
800S250-68	50	20'1"	18'3"	15'11"	22'7"	20'6"	17'3"	18'3"	16'7"	14'6"	20'6"	18'7"	16'3"
800S300-68	50	20'10"	18'11"	16'6"	23'4"	21'2"	17'7"	18'11"	17'3"	15'0"	21'3"	19'4"	16'10"

See notes located on page 2

TRADITIONAL FLOOR JOIST SPAN TABLES - 10 PSF DEAD LOAD AND 50 PSF LIVE LOAD

		10 psf Dead Load and 50 psf Live Load											
		L/360 Live Load Deflection						L/480 Live Load Deflection					
		Single Span Spacing (in)			Two Equal Span Spacing (in)			Single Span Spacing (in)			Two Equal Span Spacing (in)		
Section	Fy(ksi)	12"	16"	24"	12"	16"	24"	12"	16"	24"	12"	16"	24"
800S162-97	33	20'5"	18'6"	16'2"	22'11"	20'10"	17'8"	18'6"	16'10"	14'9"	20'10"	18'11"	16'6"
800S162-97	50	20'5"	18'6"	16'2"	22'11"	20'10"	18'2"	18'6"	16'10"	14'9"	20'10"	18'11"	16'6"
800S200-97	33	21'5"	19'5"	17'0"	24'0"	21'10"	18'7"	19'5"	17'8"	15'5"	21'10"	19'10"	17'4"
800S200-97	50	21'5"	19'5"	17'0"	24'0"	21'10"	19'1"	19'5"	17'8"	15'5"	21'10"	19'10"	17'4"
800S250-97	33	22'4"	20'4"	17'9"	25'1"	22'10"	19'6"	20'4"	18'5"	16'1"	22'10"	20'9"	18'1"
800S250-97	50	22'4"	20'4"	17'9"	25'1"	22'10"	19'11"	20'4"	18'5"	16'1"	22'10"	20'9"	18'1"
800S300-97	50	23'3"	21'1"	18'5"	26'1"	23'9"	20'9"	21'1"	19'2"	16'9"	23'9"	21'7"	18'10"
800S162-118	50	21'7"	19'7"	17'2"	24'3"	22'0"	19'3"	19'7"	17'10"	15'7"	22'0"	20'0"	17'6"
800S200-118	50	22'8"	20'7"	18'0"	25'5"	23'1"	20'2"	20'7"	18'8"	16'4"	23'1"	21'0"	18'4"
800S250-118	50	23'8"	21'6"	18'10"	26'7"	24'2"	21'2"	21'6"	19'7"	17'1"	24'2"	22'0"	19'2"
800S300-118	50	24'8"	22'5"	19'7"	27'8"	25'2"	22'0"	22'5"	20'4"	17'9"	25'2"	22'10"	20'0"
800S350-118	50	26'0"	23'7"	20'7"	29'2"	26'6"	23'2"	23'7"	21'5"	18'9"	26'6"	24'1"	21'0"
1000S162-43	33	15'10"e	13'8"e	11'2"e	14'8"e	12'2"e	9'1"e	15'10"e	13'8"e	11'2"e	14'8"e	12'2"e	9'1"e
1000S200-43	33	17'1"e	14'9"e	12'1"e	15'4"e	12'7"e	9'4"e	17'1"e	14'9"e	12'1"e	15'4"e	12'7"e	9'4"e
1000S250-43	33	17'6"e	15'2"e	12'5"e	15'10"e	13'0"e	9'7"e	17'6"e	15'2"e	12'5"e	15'10"e	13'0"e	9'7"e
1000S162-54	33	18'7"e	16'1"e	13'2"e	18'6"	15'10"	12'6"e	18'6"e	16'1"e	13'2"e	18'6"	15'10"	12'6"e
1000S162-54	50	20'4"	18'4"	15'0"e	21'2"	18'2"	14'2"	18'6"	16'10"	14'7"e	20'8"	18'2"	14'2"
1000S200-54	33	20'0"e	17'3"e	14'1"e	19'9"	16'9"	13'3"e	19'4"e	17'3"e	14'1"e	19'9"	16'9"	13'3"e
1000S200-54	50	21'3"	19'3"	16'1"e	22'2"	18'9"	14'7"	19'4"	17'7"	15'3"e	21'8"	18'9"	14'7"
1000S250-54	33	20'7"e	17'10"e	14'6"e	20'7"	17'10"	13'11"e	20'3"e	17'10"e	14'6"e	20'7"	17'10"	13'11"e
1000S250-54	50	22'4"	20'3"	16'6"e	23'1"	19'6"	15'1"	20'3"	18'5"	16'1"e	22'9"	19'6"	15'1"
1000S300-54	50	23'0"	20'7"	16'9"e	23'3"	19'7"	15'2"	21'0"	19'0"	16'7"e	23'3"	19'7"	15'2"
1000S162-68	33	21'10"	18'11"	15'5"e	21'10"	18'11"	15'4"	20'1"	18'3"	15'5"e	21'10"	18'11"	15'4"
1000S162-68	50	22'1"	20'0"	17'5"	24'8"	21'8"	17'8"	20'1"	18'3"	15'11"	22'6"	20'5"	17'8"
1000S200-68	33	23'0"	20'3"	16'6"e	23'4"	20'3"	16'4"	20'11"	19'0"	16'6"e	23'4"	20'3"	16'4"
1000S200-68	50	23'0"	20'11"	18'3"	25'9"	23'2"	18'11"	20'11"	19'0"	16'7"	23'6"	21'4"	18'7"
1000S250-68	33	24'0"	21'6"e	17'7"e	24'10"	21'6"	17'7"	21'9"	19'9"	17'3"e	24'5"	21'6"	17'7"
1000S250-68	50	24'0"	21'9"	19'0"	26'11"	23'10"	19'5"	21'9"	19'9"	17'3"	24'5"	22'3"	19'5"
1000S300-68	50	24'10"	22'7"	19'7"	27'9"	24'3"	19'9"	22'7"	20'6"	17'11"	25'4"	23'0"	19'9"
1000S162-97	33	24'7"	22'4"	19'4"	27'1"	23'5"	19'1"	22'4"	20'3"	17'9"	25'1"	22'9"	19'1"
1000S162-97	50	24'7"	22'4"	19'6"	27'7"	25'1"	21'11"	22'4"	20'3"	17'9"	25'1"	22'9"	19'11"
1000S200-97	33	25'8"	23'4"	20'4"	28'10"	25'0"	20'4"	23'4"	21'2"	18'6"	26'2"	23'9"	20'4"
1000S200-97	50	25'8"	23'4"	20'4"	28'10"	26'2"	22'10"	23'4"	21'2"	18'6"	26'2"	23'9"	20'9"
1000S250-97	33	26'9"	24'3"	21'2"	30'0"	27'3"	22'7"	24'3"	22'1"	19'3"	27'3"	24'9"	21'8"
1000S250-97	50	26'9"	24'3"	21'2"	30'0"	27'3"	23'10"	24'3"	22'1"	19'3"	27'3"	24'9"	21'8"
1000S300-97	50	27'8"	25'2"	22'0"	31'1"	28'3"	24'8"	25'2"	22'10"	20'0"	28'3"	25'8"	22'5"
1000S162-118	50	26'0"	23'8"	20'8"	29'3"	26'7"	23'2"	23'8"	21'6"	18'9"	26'7"	24'1"	21'1"
1000S200-118	50	27'3"	24'9"	21'7"	30'7"	27'9"	24'3"	24'9"	22'6"	19'7"	27'9"	25'3"	22'0"
1000S250-118	50	28'4"	25'9"	22'6"	31'10"	28'11"	25'3"	25'9"	23'5"	20'5"	28'11"	26'3"	22'11"
1000S300-118	50	29'5"	26'9"	23'4"	33'0"	30'0"	26'3"	26'9"	24'3"	21'3"	30'0"	27'3"	23'10"
1000S350-118	50	30'11"	28'1"	24'6"	34'8"	31'6"	27'6"	28'1"	25'6"	22'3"	31'6"	28'8"	25'0"
1200S162-54	33	20'1"e	17'5"e	14'3"e	19'9"e	16'8"e	12'10"e	20'1"e	17'5"e	14'3"e	19'9"e	16'8"e	12'10"e
1200S162-54	50	22'10"e	19'9"e	16'1"e	22'5"e	18'9"e	14'2"e	21'4"e	19'4"e	16'1"e	22'5"e	18'9"e	14'2"e
1200S200-54	33	21'9"e	18'10"e	15'4"e	20'11"e	17'7"e	13'6"e	21'9"e	18'10"e	15'4"e	20'11"e	17'7"e	13'6"e
1200S200-54	50	24'4"e	21'4"e	17'5"e	23'2"e	19'3"e	14'6"e	22'3"e	20'2"e	17'5"e	23'2"e	19'3"e	14'6"e
1200S250-54	33	22'6"e	19'5"e	15'11"e	21'1"e	17'8"e	13'7"e	22'6"e	19'5"e	15'11"e	21'1"e	17'8"e	13'7"e
1200S250-54	50	25'4"e	22'1"e	18'0"e	23'5"e	19'6"e	14'8"e	23'1"e	21'0"e	18'0"e	23'5"e	19'6"e	14'8"e
1200S300-54	50	26'0"e	22'6"e	18'4"e	23'11"e	19'10"e	14'11"e	24'3"e	21'11"e	18'4"e	23'11"e	19'10"e	14'11"e
1200S162-68	33	23'10"	20'7"e	16'10"e	23'10"	20'7"	16'7"	23'3"	20'7"e	16'10"e	23'10"	20'7"	16'7"
1200S162-68	50	25'6"	23'1"	19'2"	27'1"	23'6"	19'2"	23'3"	21'1"	18'4"	25'11"	23'6"	19'2"
1200S200-68	33	25'7"	22'2"e	18'1"e	25'7"	22'0"	17'7"	24'2"	21'11"e	18'1"e	25'7"	22'0"	17'7"
1200S200-68	50	26'6"	24'1"	20'7"e	29'2"	25'3"	20'4"	24'2"	21'11"	19'1"	27'1"	24'6"	20'4"
1200S250-68	33	26'5"	22'11"e	18'8"e	26'5"	22'11"	18'3"e	25'2"	22'10"e	18'8"e	26'5"	22'11"	18'3"e
1200S250-68	50	27'7"	25'0"	21'3"e	30'1"	25'9"	20'5"	25'2"	22'10"	19'10"	28'1"	25'6"	20'5"
1200S300-68	50	28'8"	26'0"	21'8"e	30'8"	26'7"	21'3"	26'1"	23'8"	20'8"e	29'3"	26'6"	21'3"

See notes located on page 2

TRADITIONAL FLOOR JOIST SPAN TABLES - 10 PSF DEAD LOAD AND 50 PSF LIVE LOAD

		10 psf Dead Load and 50 psf Live Load											
		L/360 Live Load Deflection						L/480 Live Load Deflection					
Section	Fy(ksi)	Single Span Spacing (in)			Two Equal Span Spacing (in)			Single Span Spacing (in)			Two Equal Span Spacing (in)		
		12"	16"	24"	12"	16"	24"	12"	16"	24"	12"	16"	24"
1200S162-97	33	28'8"	26'1"	21'7"	30'6"	26'5"	21'6"	26'1"	23'8"	20'8"	29'3"	26'5"	21'6"
1200S162-97	50	28'8"	26'1"	22'9"	32'2"	29'3"	24'10"	26'1"	23'8"	20'8"	29'3"	26'7"	23'3"
1200S200-97	33	29'10"	27'1"	23'0"	32'7"	28'2"	22'10"	27'1"	24'8"	21'6"	30'5"	27'8"	22'10"
1200S200-97	50	29'10"	27'1"	23'8"	33'6"	30'5"	26'7"	27'1"	24'8"	21'6"	30'5"	27'8"	24'2"
1200S250-97	33	31'0"	28'2"	23'10"	33'9"	29'3"	23'10"	28'2"	25'7"	22'4"	31'7"	28'9"	23'10"
1200S250-97	50	31'0"	28'2"	24'7"	34'9"	31'7"	27'5"	28'2"	25'7"	22'4"	31'7"	28'9"	25'1"
1200S300-97	50	32'0"	29'1"	25'5"	36'0"	32'8"	28'0"	29'1"	26'5"	23'1"	32'8"	29'8"	25'11"
1200S162-118	50	30'5"	27'7"	24'2"	34'2"	31'0"	27'1"i	27'7"	25'1"	21'11"	31'0"	28'2"	24'7"
1200S200-118	50	31'8"	28'9"	25'2"	35'7"	32'4"	28'3"i	28'9"	26'2"	22'10"	32'4"	29'4"	25'8"
1200S250-118	50	32'11"	29'11"	26'1"	36'11"	33'7"	29'4"i	29'11"	27'2"	23'9"	33'7"	30'6"	26'8"
1200S300-118	50	34'0"	30'11"	27'0"	38'3"	34'9"	30'4"	30'11"	28'1"	24'7"	34'9"	31'7"	27'7"
1200S350-118	50	35'8"	32'5"	28'4"	40'1"	36'5"	31'10"	32'5"	29'5"	25'9"	36'5"	33'1"	28'11"
1400S162-54	33	21'4"e	18'5"e	15'1"e	20'5"e	16'11"e	12'8"e	21'4"e	18'5"e	15'1"e	20'5"e	16'11"e	12'8"e
1400S162-54	50	24'1"e	20'10"e	17'0"e	22'9"e	18'7"e	13'8"e	24'0"e	20'10"e	17'0"e	22'9"e	18'7"e	13'8"e
1400S200-54	33	23'2"e	20'0"e	16'4"e	21'5"e	17'8"e	13'2"e	23'2"e	20'0"e	16'4"e	21'5"e	17'8"e	13'2"e
1400S200-54	50	26'2"e	22'8"e	18'6"e	23'4"e	19'0"e	13'10"e	25'0"e	22'8"e	18'6"e	23'4"e	19'0"e	13'10"e
1400S250-54	33	24'1"e	20'10"e	17'0"e	21'7"e	17'9"e	13'2"e	24'1"e	20'10"e	17'0"e	21'7"e	17'9"e	13'2"e
1400S250-54	50	27'2"e	23'7"e	19'3"e	23'7"e	19'2"e	13'11"e	25'11"e	23'6"e	19'3"e	23'7"e	19'2"e	13'11"e
1400S300-54	50	27'10"e	24'1"e	19'7"e	23'9"e	19'3"e	14'0"e	26'9"e	24'1"e	19'7"e	23'9"e	19'3"e	14'0"e
1400S162-68	33	25'5"	22'0"e	17'11"e	25'5"	22'0"	17'6"	25'5"	22'0"e	17'11"e	25'5"	22'0"	17'6"
1400S162-68	50	28'8"	24'11"	20'4"e	28'9"	24'11"	20'1"	26'3"	23'9"	20'4"e	28'9"	24'11"	20'1"
1400S200-68	33	27'5"e	23'9"e	19'4"e	27'5"	23'5"	18'5"e	27'3"e	23'9"e	19'4"e	27'5"	23'5"	18'5"e
1400S200-68	50	29'11"	26'11"	22'0"e	31'1"	26'10"	20'11"	27'3"	24'9"	21'6"e	30'5"	26'10"	20'11"
1400S250-68	33	28'5"e	24'8"e	20'1"e	28'5"	24'3"	19'1"e	28'4"e	24'8"e	20'1"e	28'5"	24'3"	19'1"e
1400S250-68	50	31'0"	27'11"	22'10"e	31'11"	27'0"	21'0"	28'4"	25'8"	22'4"e	31'7"	27'0"	21'0"
1400S300-68	50	32'0"	28'7"	23'4"e	32'4"	27'3"	21'3"	29'3"	26'6"	23'0"e	32'4"	27'3"	21'3"
1400S162-97	33	32'9"	28'6"	23'4"	32'11"	28'6"	23'4"	29'9"	27'0"	23'4"	32'11"	28'6"	23'4"
1400S162-97	50	32'9"	29'8"	25'10"	36'7"	32'8"	26'8"	29'9"	27'0"	23'7"	33'4"	30'3"	26'4"
1400S200-97	33	34'0"	30'6"	24'11"	35'3"	30'6"	24'11"	30'10"	28'1"	24'6"	34'8"	30'6"	24'11"
1400S200-97	50	34'0"	30'10"	26'10"	38'0"	34'6"	28'7"	30'10"	28'1"	24'6"	34'8"	31'5"	27'5"
1400S250-97	33	35'2"	31'8"	25'11"e	36'7"	31'8"	25'11"	31'11"	29'0"	25'4"e	35'11"	31'8"	25'11"
1400S250-97	50	35'2"	31'11"	27'10"	39'5"	35'9"	29'7"	31'11"	29'0"	25'4"	35'11"	32'7"	28'5"
1400S300-97	50	36'3"	33'0"	28'9"	40'8"	36'11"	30'4"	33'0"	29'11"	26'2"	37'0"	33'8"	29'4"
1400S162-118	50	34'9"	31'7"	27'7"	39'0"	35'5"	30'11"i	31'7"	28'8"	25'1"	35'5"	32'2"	28'1"
1400S200-118	50	36'1"	32'9"	28'8"	40'6"	36'10"	32'2"i	32'9"	29'9"	26'0"	36'10"	33'5"	29'2"
1400S250-118	50	37'4"	33'11"	29'8"	41'11"	38'1"	33'4"i	33'11"	30'10"	26'11"	38'1"	34'8"	30'3"
1400S300-118	50	38'7"	35'1"	30'7"	43'4"	39'4"	34'4"i	35'1"	31'10"	27'10"	39'4"	35'9"	31'3"i
1400S350-118	50	40'4"	36'8"	32'0"	45'4"	41'2"	36'0"i	36'8"	33'4"	29'1"	41'2"	37'5"	32'8"
1600S200-68	50	32'8"	28'4"	23'2"	32'8"	27'5"	20'11"	30'3"	27'5"	23'2"	32'8"	27'5"	20'11"
1600S250-68	50	34'1"	29'6"	24'1"	33'0"	27'7"	21'0"	31'4"	28'5"	24'1"	33'0"	27'7"	21'0"
1600S300-68	50	35'1"	30'4"	24'9"	33'4"	27'10"	21'2"	32'4"	29'4"	24'9"	33'4"	27'10"	21'2"
1600S350-68	50	37'1"	33'8"	27'9"	36'1"	29'10"	22'5"	33'10"	30'8"	26'9"	36'1"	29'10"	22'5"
1600S200-97	50	37'10"	34'4"	29'10"	42'3"	37'1"	30'3"	34'6"	31'4"	27'3"	38'7"	35'0"	30'3"
1600S250-97	50	39'2"	35'6"	30'11"	43'9"	38'7"	31'6"	35'8"	32'5"	28'2"	39'11"	36'2"	31'6"
1600S300-97	50	40'4"	36'7"	31'11"	45'1"	39'7"	32'4"	36'9"	33'4"	29'1"	41'2"	37'4"	32'4"
1600S350-97	50	42'2"	38'3"	33'4"	47'2"	42'9"	35'5"	38'5"	34'10"	30'5"	43'0"	39'0"	34'0"
1600S200-118	50	40'5"	36'9"	32'1"	45'5"	41'2"i	35'1"i	36'9"	33'4"	29'2"	41'3"	37'6"	32'9"i
1600S250-118	50	41'9"	37'11"	33'2"	46'11"	42'7"i	36'6"i	37'11"	34'6"	30'2"	42'7"	38'9"	33'10"i
1600S300-118	50	43'1"	39'1"	34'2"	48'4"	43'11"i	37'6"i	39'1"	35'6"	31'0"	43'11"	39'11"	34'10"i
1600S350-118	50	44'11"	40'10"	35'8"	50'6"	45'10"i	40'0"i	40'10"	37'1"	32'5"	45'10"	41'8"	36'5"i

See notes located on page 2

TRADITIONAL FLOOR JOIST SPAN TABLES - 15 PSF DEAD LOAD AND 125 PSF LIVE LOAD

		15 psf Dead Load and 125 psf Live Load											
		L/360 Live Load Deflection						L/480 Live Load Deflection					
Section	Fy(ksi)	Single Span Spacing (in)			Two Equal Span Spacing (in)			Single Span Spacing (in)			Two Equal Span Spacing (in)		
		12"	16"	24"	12"	16"	24"	12"	16"	24"	12"	16"	24"
600S162-33	33	6' 9" e	5' 10" e	4' 7" e	6' 3" a	5' 1" a	3' 8" a	6' 9" e	5' 10" e	4' 7" e	6' 3" a	5' 1" a	3' 8" a
600S162-43	33	8' 4" e	7' 2" e	5' 10" e	8' 4" a	7' 2" a	5' 9" a	8' 4" e	7' 2" e	5' 10" e	8' 4" a	7' 2" a	5' 9" a
600S162-54	33	9' 8" e	8' 5" e	6' 10" e	9' 8" i	8' 5" i	6' 10" a	9' 1" e	8' 3" e	6' 10" e	9' 8" i	8' 5" i	6' 10" a
600S162-54	50	10' 0"	9' 1"	7' 10" e	11' 1" i	9' 7" i	7' 10" i	9' 1"	8' 3"	7' 3" e	10' 2" i	9' 3" i	7' 10" i
600S162-68	33	10' 9"	9' 9" e	8' 0" e	11' 4" i	9' 9" i	8' 0" i	9' 9"	8' 10"	7' 9" e	10' 11" i	9' 9" i	8' 0" i
600S162-68	50	10' 9"	9' 9"	8' 6"	12' 0" i	10' 11" i	9' 3" i	9' 9"	8' 10"	7' 9"	10' 11" i	9' 11" i	8' 8" i
600S162-97	33	11' 11"	10' 10"	9' 5"	13' 4" i	11' 8" i	9' 7" i	10' 10"	9' 10"	8' 7"	12' 1" i	11' 0" i	9' 7" i
600S162-97	50	11' 11"	10' 10"	9' 5"	13' 4"	12' 1"	10' 7" i	10' 10"	9' 10"	8' 7"	12' 1"	11' 0"	9' 7" i
600S162-118	50	12' 7"	11' 5"	10' 0"	14' 1"	12' 10"	11' 2"	11' 5"	10' 4"	9' 1"	12' 10"	11' 8"	10' 2"
600S200-33	33	7' 2" e	6' 2" e	4' 7" e	6' 5" a	5' 2" a	3' 8" a	7' 2" e	6' 2" e	4' 7" e	6' 5" a	5' 2" a	3' 8" a
600S200-43	33	8' 7" e	7' 5" e	6' 1" e	8' 7" a	7' 5" a	5' 9" a	8' 7" e	7' 5" e	6' 1" e	8' 7" a	7' 5" a	5' 9" a
600S200-54	33	10' 3" e	8' 11" e	7' 3" e	10' 3" i	8' 11" a	7' 3" a	9' 7" e	8' 8" e	7' 3" e	10' 3" i	8' 11" a	7' 3" a
600S200-54	50	10' 6"	9' 7"	8' 1" e	11' 5" i	9' 11" i	8' 1" i	9' 7" 8	' 8" 7'	7" e	10' 9" i	9' 9" i	8' 1" i
600S200-68	33	11' 3"	10' 3" e	8' 5" e	11' 11" i	10' 4" i	8' 5" i	10' 3"	9' 4"	8' 2" e	11' 6" i	10' 4" i	8' 5" i
600S200-68	50	11' 3"	10' 3"	8' 11"	12' 8" i	11' 6" i	9' 9" i	10' 3"	9' 4"	8' 2"	11' 6" i	10' 5" i	9' 2" i
600S200-97	33	12' 6"	11' 4"	9' 11"	14' 1" i	12' 6" i	10' 2" i	11' 4"	10' 4"	9' 0"	12' 9" i	11' 7" i	10' 2" i
600S200-97	50	12' 6"	11' 4"	9' 11"	14' 1"	12' 9"	11' 2" i	11' 4"	10' 4"	9' 0"	12' 9"	11' 7"	10' 2" i
600S200-118	50	13' 3"	12' 0"	10' 6"	14' 10"	13' 6"	11' 10"	12' 0"	10' 11"	9' 7"	13' 6"	12' 3"	10' 9"
600S250-43	33	8' 9" e	7' 7" e	6' 3" e	8' 9" a	7' 7" a	5' 10" a	8' 9" e	7' 7" e	6' 3" e	8' 9" a	7' 7" a	5' 10" a
600S250-54	33	10' 3" e	8' 10" e	7' 3" e	10' 3" i	8' 10" a	7' 3" a	10' 0" e	8' 10" e	7' 3" e	10' 3" i	8' 10" a	7' 3" a
600S250-54	50	11' 0"	10' 0" e	8' 3" e	11' 8" i	10' 2" i	8' 3" i	10' 0"	9' 1"	7' 11" e	11' 3" i	10' 2" i	8' 3" i
600S250-68	33	11' 10"	10' 7" e	8' 8" e	12' 3" i	10' 7" i	8' 8" a	10' 9"	9' 9" e	8' 6" e	12' 1" i	10' 7" i	8' 8" a
600S250-68	50	11' 10"	10' 9"	9' 5"	13' 3" i	11' 10" i	9' 8" i	10' 9"	9' 9"	8' 6"	12' 1" i	10' 11" i	9' 7" i
600S250-97	33	13' 2"	11' 11"	10' 5"	14' 9" i	13' 2" i	10' 6" i	11' 11"	10' 10"	9' 6"	13' 5" i	12' 2" i	10' 6" i
600S250-97	50	13' 2"	11' 11"	10' 5"	14' 9"	13' 5"	11' 9" i	11' 11"	10' 10"	9' 6"	13' 5"	12' 2"	10' 8" i
600S250-118	50	13' 11"	12' 8"	11' 1"	15' 8"	14' 2"	12' 5"	12' 8"	11' 6"	10' 0"	14' 2"	12' 11"	11' 3"
600S300-54	50	11' 4"	10' 3" e	8' 5" e	11' 11" i	10' 3" i	8' 5" i	10' 5"	9' 5"	8' 2" e	11' 6" i	10' 3" i	8' 5" i
600S300-68	50	12' 4"	11' 2"	9' 9"	13' 9" i	12' 0" i	9' 10" i	11' 2"	10' 2"	8' 10"	12' 6" i	11' 4" i	9' 10" i
600S300-97	50	13' 9"	12' 6"	10' 11"	15' 5"	14' 0" i	12' 2" i	12' 6"	11' 4"	9' 11"	14' 0"	12' 9"	11' 1" i
600S300-118	50	14' 6"	13' 2"	11' 6"	16' 4"	14' 10"	12' 11" i	13' 2"	12' 0"	10' 6"	14' 10"	13' 6"	11' 9"
600S350-54	50	11' 11"	10' 10" e	9' 4" e	12' 6" i	10' 6" i	8' 1" i	10' 11"	9' 11" e	8' 7" e	12' 2" i	10' 6" i	8' 1" i
600S350-68	50	13' 0"	11' 9"	10' 4" e	14' 7" i	12' 9" i	10' 0" i	11' 9"	10' 8"	9' 4"	13' 3" i	12' 0" i	10' 0" i
600S350-97	50	14' 5"	13' 2"	11' 6"	16' 3"	14' 9" i	12' 4" i	13' 2"	11' 11"	10' 5"	14' 9"	13' 5"	11' 8" i
600S350-118	50	15' 4"	13' 11"	12' 2"	17' 3"	15' 8"	13' 8" i	13' 11"	12' 8"	11' 1"	15' 8"	14' 2"	12' 5"
800S162-33	33	6' 9" e	5' 1" e	3' 5" e	5' 5" a	4' 1" a	2' 9" a	6' 9" e	5' 1" e	3' 5" e	5' 5" a	4' 1" a	2' 9" a
800S162-43	33	9' 4" e	8' 1" e	6' 7" e	9' 3" a	7' 6" a	5' 6" a	9' 4" e	8' 1" e	6' 7" e	9' 3" a	7' 6" a	5' 6" a
800S162-54	33	10' 11" e	9' 5" e	7' 9" e	10' 11" i	9' 5" a	7' 9" a	10' 11" e	9' 5" e	7' 9" e	10' 11" i	9' 5" a	7' 9" a
800S162-54	50	12' 6" e	10' 10" e	8' 10" e	12' 6" i	10' 10" i	8' 10" a	11' 5"	10' 4" e	8' 10" e	12' 6" i	10' 10" i	8' 10" a
800S162-68	33	12' 8" e	11' 0" e	9' 0" e	12' 8" i	11' 0" i	9' 0" a	12' 4"	11' 0" e	9' 0" e	12' 8" i	11' 0" i	9' 0" a
800S162-68	50	13' 6"	12' 4"	10' 4" e	14' 8" i	12' 8" i	10' 4" i	12' 4"	11' 2"	9' 9" e	13' 10" i	12' 7" i	10' 4" i
800S162-97	33	15' 0"	13' 8"	11' 9" e	16' 8" i	14' 5" i	11' 9" i	13' 8"	12' 5"	10' 10"	15' 4" i	13' 11" i	11' 9" i
800S162-97	50	15' 0"	13' 8"	11' 11"	16' 11" i	15' 4" i	13' 1" i	13' 8"	12' 5"	10' 10"	15' 4" i	13' 11" i	12' 2" i
800S162-118	50	15' 11"	14' 5"	12' 7"	17' 10"	16' 3"	14' 2" i	14' 5"	13' 2"	11' 6"	16' 3"	14' 9"	12' 11"

See notes located on page 2

TRADITIONAL FLOOR JOIST SPAN TABLES - 15 PSF DEAD LOAD AND 125 PSF LIVE LOAD

		15 psf Dead Load and 125 psf Live Load											
		L/360 Live Load Deflection						L/480 Live Load Deflection					
Section	Fy(ksi)	Single Span Spacing (in)			Two Equal Span Spacing (in)			Single Span Spacing (in)			Two Equal Span Spacing (in)		
		12"	16"	24"	12"	16"	24"	12"	16"	24"	12"	16"	24"
800S200-33	33	6' 9" e	5' 1" e	3' 5" e	5' 5" a	4' 1" a	2' 9" a	6' 9" e	5' 1" e	3' 5" e	5' 5" a	4' 1" a	2' 9" a
800S200-43	33	10' 0" e	8' 8" e	7' 1" e	9' 10" a	8' 0" a	5' 10" a	10' 0" e	8' 8" e	7' 1" e	9' 10" a	8' 0" a	5' 10" a
800S200-54	33	12' 0" e	10' 5" e	8' 6" e	12' 0" a	10' 5" a	8' 6" a	12' 0" e	10' 5" e	8' 6" e	12' 0" a	10' 5" a	8' 6" a
800S200-54	50	13' 2" e	11' 7" e	9' 5" e	13' 4" i	11' 7" i	9' 5" a	12' 0" e	10' 11" e	9' 5" e	13' 4" i	11' 7" i	9' 5" a
800S200-68	33	14' 1" e	12' 3" e	10' 0" e	14' 1" i	12' 3" i	10' 0" a	12' 11" e	11' 8" e	10' 0" e	14' 1" i	12' 3" i	10' 0" a
800S200-68	50	14' 2" e	12' 11" e	11' 3" e	15' 11" i	14' 0" i	11' 5" i	12' 11" e	11' 8" e	10' 3" e	14' 5" i	13' 2" i	11' 5" i
800S200-97	33	15' 9" e	14' 4" e	12' 5" e	17' 7" i	15' 3" i	12' 5" i	14' 4" e	13' 0" e	11' 4" e	16' 1" i	14' 7" i	12' 5" i
800S200-97	50	15' 9" e	14' 4" e	12' 6" e	17' 8" i	16' 1" i	14' 1" i	14' 4" e	13' 0" e	11' 4" e	16' 1" i	14' 7" i	12' 9" i
800S200-118	50	16' 8" e	15' 2" e	13' 3" e	18' 9" i	17' 0" i	14' 11" i	15' 2" e	13' 9" e	12' 0" e	17' 0" i	15' 6" i	13' 6" i
800S250-43	33	10' 3" e	8' 11" e	7' 3" e	9' 11" a	8' 0" a	5' 10" a	10' 3" e	8' 11" e	7' 3" e	9' 11" a	8' 0" a	5' 10" a
800S250-54	33	12' 0" e	10' 4" e	8' 6" e	12' 0" a	10' 4" a	8' 6" a	12' 0" e	10' 4" e	8' 6" e	12' 0" a	10' 4" a	8' 6" a
800S250-54	50	13' 8" e	11' 10" e	9' 8" e	13' 8" i	11' 10" i	9' 6" a	12' 6" e	11' 4" e	9' 8" e	13' 8" i	11' 10" i	9' 6" a
800S250-68	33	14' 5" e	12' 6" e	10' 2" e	14' 5" i	12' 6" a	10' 2" a	13' 5" e	12' 3" e	10' 2" e	14' 5" i	12' 6" a	10' 2" a
800S250-68	50	14' 10" e	13' 5" e	11' 4" e	16' 0" i	13' 10" i	11' 4" i	13' 5" e	12' 3" e	10' 8" e	15' 1" i	13' 9" i	11' 4" i
800S250-97	33	16' 6" e	15' 0" e	13' 0" e	18' 4" i	15' 11" i	13' 0" i	15' 0" e	13' 7" e	11' 11" e	16' 10" i	15' 3" i	13' 0" i
800S250-97	50	16' 6" e	15' 0" e	13' 1" e	18' 6" i	16' 10" i	14' 8" i	15' 0" e	13' 7" e	11' 11" e	16' 10" i	15' 3" i	13' 4" i
800S250-118	50	17' 6" e	15' 10" e	13' 10" e	19' 7" i	17' 10" i	15' 7" i	15' 10" e	14' 5" e	12' 7" e	17' 10" i	16' 2" i	14' 2" i
800S300-54	50	13' 10" e	12' 0" e	9' 9" e	13' 10" i	12' 0" i	9' 7" a	12' 11" e	11' 8" e	9' 9" e	13' 10" i	12' 0" i	9' 7" a
800S300-68	50	15' 4" e	13' 11" e	11' 6" e	16' 3" i	14' 1" i	11' 6" i	14' 0" e	12' 8" e	11' 0" e	15' 7" i	14' 1" i	11' 6" i
800S300-97	50	17' 2" e	15' 7" e	13' 7" e	19' 3" i	17' 6" i	14' 8" i	15' 7" e	14' 2" e	12' 4" e	17' 6" i	15' 11" i	13' 10" i
800S300-118	50	18' 2" e	16' 6" e	14' 5" e	20' 5" i	18' 6" i	16' 2" i	16' 6" e	15' 0" e	13' 1" e	18' 6" i	16' 10" i	14' 9" i
800S350-54	50	14' 10" e	13' 4" e	10' 11" e	14' 7" i	12' 2" i	9' 3" a	13' 7" e	12' 4" e	10' 8" e	14' 7" i	12' 2" i	9' 3" a
800S350-68	50	16' 2" e	14' 8" e	12' 9" e	18' 0" i	15' 4" i	12' 0" i	14' 8" e	13' 4" e	11' 8" e	16' 6" i	15' 0" i	12' 0" i
800S350-97	50	18' 0" e	16' 4" e	14' 4" e	20' 3" i	18' 5" i	15' 6" i	16' 4" e	14' 11" e	13' 0" e	18' 5" i	16' 8" i	14' 7" i
800S350-118	50	19' 2" e	17' 5" e	15' 2" e	21' 6" i	19' 6" i	17' 1" i	17' 5" e	15' 10" e	13' 10" e	19' 6" i	17' 9" i	15' 6" i
1000S162-43	33	10' 4" e	8' 11" e	6' 0" e	8' 10" a	7' 0" a	4' 9" a	10' 4" e	8' 11" e	6' 0" e	8' 10" a	7' 0" a	4' 9" a
1000S162-54	33	12' 2" e	10' 6" e	8' 7" e	12' 2" a	10' 6" a	7' 11" a	12' 2" e	10' 6" e	8' 7" e	12' 2" a	10' 6" a	7' 11" a
1000S162-54	50	13' 10" e	12' 0" e	9' 10" e	13' 10" i	11' 8" i	8' 7" a	13' 7" e	12' 0" e	9' 10" e	13' 10" i	11' 8" i	8' 7" a
1000S162-68	33	14' 4" e	12' 5" e	10' 1" e	14' 4" i	12' 5" a	10' 1" a	14' 4" e	12' 5" e	10' 1" e	14' 4" i	12' 5" a	10' 1" a
1000S162-68	50	16' 2" e	14' 2" e	11' 7" e	16' 5" i	14' 2" i	11' 7" i	14' 9" e	13' 5" e	11' 7" e	16' 5" i	14' 2" i	11' 7" i
1000S162-97	33	17' 10" e	15' 6" e	12' 8" e	17' 10" i	15' 6" i	12' 8" i	16' 5" e	14' 11" e	12' 8" e	17' 10" i	15' 6" i	12' 8" i
1000S162-97	50	18' 1" e	16' 5" e	14' 4" e	20' 4" i	18' 2" i	14' 10" i	16' 5" e	14' 11" e	13' 1" e	18' 6" i	16' 9" i	14' 8" i
1000S162-118	50	19' 2" e	17' 5" e	15' 3" e	21' 6" i	19' 7" i	16' 7" i	17' 5" e	15' 10" e	13' 10" e	19' 7" i	17' 9" i	15' 6" i
1000S200-43	33	11' 2" e	8' 11" e	6' 0" e	9' 0" a	7' 2" a	4' 9" a	11' 2" e	8' 11" e	6' 0" e	9' 0" a	7' 2" a	4' 9" a
1000S200-54	33	13' 1" e	11' 4" e	9' 3" e	13' 1" a	11' 1" a	8' 3" a	13' 1" e	11' 4" e	9' 3" e	13' 1" a	11' 1" a	8' 3" a
1000S200-54	50	14' 11" e	12' 11" e	10' 6" e	14' 8" i	11' 11" i	8' 9" a	14' 2" e	12' 10" e	10' 6" e	14' 8" i	11' 11" i	8' 9" a
1000S200-68	33	15' 3" e	13' 3" e	10' 10" e	15' 3" i	13' 3" a	10' 10" a	15' 3" e	13' 3" e	10' 10" e	15' 3" i	13' 3" a	10' 10" a
1000S200-68	50	16' 11" e	15' 2" e	12' 5" e	17' 6" i	15' 2" i	12' 5" a	15' 5" e	14' 0" e	12' 2" e	17' 3" i	15' 2" i	12' 5" a
1000S200-97	33	18' 11" e	16' 6" e	13' 6" e	19' 1" i	16' 6" i	13' 6" i	17' 2" e	15' 7" e	13' 6" e	19' 1" i	16' 6" i	13' 6" i
1000S200-97	50	18' 11" e	17' 2" e	15' 0" e	21' 3" i	19' 3" i	15' 9" i	17' 2" e	15' 7" e	13' 8" e	19' 3" i	17' 6" i	15' 4" i
1000S200-118	50	20' 1" e	18' 3" e	15' 11" e	22' 6" i	20' 5" i	17' 8" i	18' 3" e	16' 7" e	14' 5" e	20' 5" i	18' 7" i	16' 3" i
1000S250-43	33	11' 6" e	8' 11" e	6' 0" e	9' 3" a	7' 2" a	4' 9" a	11' 6" e	8' 11" e	6' 0" e	9' 3" a	7' 2" a	4' 9" a
1000S250-54	33	13' 5" e	11' 8" e	9' 6" e	13' 5" a	11' 6" a	8' 6" a	13' 5" e	11' 8" e	9' 6" e	13' 5" a	11' 6" a	8' 6" a
1000S250-54	50	15' 4" e	13' 3" e	10' 10" e	15' 1" i	12' 2" a	8' 11" a	14' 11" e	13' 3" e	10' 10" e	15' 1" i	12' 2" a	8' 11" a
1000S250-68	33	16' 3" e	14' 1" e	11' 6" e	16' 3" a	14' 1" a	11' 6" a	16' 1" e	14' 1" e	11' 6" e	16' 3" a	14' 1" a	11' 6" a

See notes located on page 2

TRADITIONAL FLOOR JOIST SPAN TABLES - 15 PSF DEAD LOAD AND 125 PSF LIVE LOAD

		15 psf Dead Load and 125 psf Live Load											
		L/360 Live Load Deflection						L/480 Live Load Deflection					
		Single Span Spacing (in)			Two Equal Span Spacing (in)			Single Span Spacing (in)			Two Equal Span Spacing (in)		
Section	Fy(ksi)	12"	16"	24"	12"	16"	24"	12"	16"	24"	12"	16"	24"
1000S250-68	50	17' 8"	15' 7" e	12' 9" e	18' 0" i	15' 7" i	12' 9" a	16' 1"	14' 7" e	12' 9" e	18' 0" i	15' 7" i	12' 9" a
1000S250-97	33	19' 8"	17' 11" e	14' 9" e	20' 11" i	18' 1" i	14' 9" i	17' 11"	16' 3"	14' 2" e	20' 1" i	18' 1" i	14' 9" i
1000S250-97	50	19' 8"	17' 11"	15' 8"	22' 1" i	20' 1" i	16' 11" i	17' 11"	16' 3"	14' 2"	20' 1"	18' 3" i	15' 11" i
1000S250-118	50	20' 11"	19' 0"	16' 7"	23' 5"	21' 4" i	18' 7" i	19' 0"	17' 3"	15' 1"	21' 4"	19' 4"	16' 11" i
1000S300-54	50	15' 6" e	13' 5" e	11' 0" e	15' 1" i	12' 3" a	9' 0" a	15' 4" e	13' 5" e	11' 0" e	15' 1" i	12' 3" a	9' 0" a
1000S300-68	50	18' 3"	15' 10" e	12' 11" e	18' 4" i	15' 10" i	12' 11" a	16' 7"	15' 1" e	12' 11" e	18' 4" i	15' 10" i	12' 11" a
1000S300-97	50	20' 5"	18' 7"	16' 2"	22' 11" i	20' 4" i	16' 7" i	18' 7"	16' 10"	14' 9"	20' 10" i	18' 11" i	16' 6" i
1000S300-118	50	21' 8"	19' 8"	17' 2"	24' 4"	22' 1" i	19' 4" i	19' 8"	17' 11"	15' 8"	22' 1"	20' 1"	17' 7" i
1000S350-54	50	17' 4" e	15' 0" e	11' 10" e	14' 7" i	11' 10" i	8' 6" a	16' 1" e	14' 7" e	11' 10" e	14' 7" i	11' 10" i	8' 6" a
1000S350-68	50	19' 2" e	17' 5" e	14' 4" e	20' 4" i	17' 1" i	13' 3" a	17' 5"	15' 10" e	13' 10" e	19' 7" i	17' 1" i	13' 3" a
1000S350-97	50	21' 5"	19' 6"	17' 0"	24' 1" i	21' 10" i	18' 1" i	19' 6"	17' 8"	15' 5"	21' 10" i	19' 10" i	17' 4" i
1000S350-118	50	22' 9"	20' 8"	18' 1"	25' 7"	23' 3" i	20' 4" i	20' 8"	18' 10"	16' 5"	23' 3"	21' 1"	18' 5" i
1200S162-54	33	13' 2" e 1	1' 5" e	9' 4" e	12' 9" a	10' 4" a	7' 6" a	13' 2" e	11' 5" e	9' 4" e	12' 9" a	10' 4" a	7' 6" a
1200S162-54	50	14' 11" e	12' 11" e	9' 10" e	13' 10" a	11' 1" a	7' 10" a	14' 11" e	12' 11" e	9' 10" e	13' 10" a	11' 1" a	7' 10" a
1200S162-68	33	15' 7" e	13' 6" e	11' 0" e	15' 7" a	13' 6" a	11' 0" a	15' 7" e	13' 6" e	11' 0" e	15' 7" a	13' 6" a	11' 0" a
1200S162-68	50	17' 9" e	15' 4" e	12' 7" e	17' 9" i	15' 4" i	12' 7" a	17' 0"	15' 4" e	12' 7" e	17' 9" i	15' 4" i	12' 7" a
1200S162-97	33	20' 0"	17' 4" e	14' 2" e	20' 0" i	17' 4" i	14' 2" i	19' 2"	17' 4" e	14' 2" e	20' 0" i	17' 4" i	14' 2" i
1200S162-97	50	21' 2"	19' 2"	16' 3"	23' 0" i	19' 11" i	16' 3" i	19' 2"	17' 5"	15' 3"	21' 7" i	19' 7" i	16' 3" i
1200S162-118	50	22' 5"	20' 4"	17' 9"	25' 2" i	22' 10" i	18' 9" i	20' 4"	18' 6"	16' 2"	22' 10"	20' 9" i	18' 2" i
1200S200-54	33	14' 3" e	12' 4" e	9' 10" e	13' 3" a	10' 8" a	7' 9" a	14' 3" e	12' 4" e	9' 10" e	13' 3" a	10' 8" a	7' 9" a
1200S200-54	50	16' 2" e	14' 0" e	9' 10" e	14' 1" a	11' 3" a	7' 10" a	16' 2" e	14' 0" e	9' 10" e	14' 1" a	11' 3" a	7' 10" a
1200S200-68	33	16' 9" e	14' 6" e	11' 10" e	16' 9" a	14' 6" a	11' 10" a	16' 9" e	14' 6" e	11' 10" e	16' 9" a	14' 6" a	11' 10" a
1200S200-68	50	19' 1" e	16' 6" e	13' 6" e	19' 1" i	16' 6" i	13' 0" a	17' 9" e	16' 1" e	13' 6" e	19' 1" i	16' 6" i	13' 0" a
1200S200-97	33.2	1' 4"	18' 6" e	15' 1" e	21' 4" i	18' 6" i	15' 1" a	20' 0"	18' 2" e	15' 1" e	21' 4" i	18' 6" i	15' 1" a
1200S200-97	50	22' 0"	20' 0"	17' 5" e	24' 7" i	21' 3" i	17' 5" i	20' 0"	18' 2"	15' 10"	22' 5" i	20' 5" i	17' 5" i
1200S200-118	50	23' 4"	21' 2"	18' 6"	26' 2" i	23' 10" i	19' 11" i	21' 2"	19' 3"	16' 10"	23' 10"	21' 8" i	18' 11" i
1200S250-54	33	14' 9" e	12' 9" e	9' 10" e	13' 4" a	10' 9" a	7' 9" a	14' 9" e	12' 9" e	9' 10" e	13' 4" a	10' 9" a	7' 9" a
1200S250-54	50	16' 8" e	14' 5" e	9' 10" e	14' 3" a	11' 4" a	7' 10" a	16' 8" e	14' 5" e	9' 10" e	14' 3" a	11' 4" a	7' 10" a
1200S250-68	33	17' 4" e	15' 0" e	12' 3" e	17' 4" a	15' 0" a	12' 1" a	17' 4" e	15' 0" e	12' 3" e	17' 4" a	15' 0" a	12' 1" a
1200S250-68	50	19' 9" e	17' 1" e	13' 11" e	19' 9" i	17' 1" i	13' 1" a	18' 5" e	16' 9" e	13' 11" e	19' 9" i	17' 1" i	13' 1" a
1200S250-97	50	22' 10"	20' 9"	17' 11" e	25' 5" i	22' 0" i	17' 11" i	20' 9"	18' 10"	16' 6"	23' 3" i	21' 2" i	17' 11" i
1200S250-97	33	22' 1"	19' 2" e	15' 7" e	22' 1" i	19' 2" i	15' 7" a	20' 9"	18' 10" e	15' 7" e	22' 1" i	19' 2" i	15' 7" a
1200S250-118	50	24' 3"	22' 0"	19' 3"	27' 3" i	24' 9" i	20' 7" i	22' 0"	20' 0"	17' 6"	24' 9"	22' 6" i	19' 7" i
1200S300-54	50	17' 0" e	14' 9" e	9' 10" e	14' 5" a	11' 6" a	7' 10" a	17' 0" e	14' 9" e	9' 10" e	14' 5" a	11' 6" a	7' 10" a
1200S300-68	50	20' 1" e	17' 5" e	14' 3" e	20' 1" i	17' 5" i	13' 5" a	19' 2" e	17' 5" e	14' 3" e	20' 1" i	17' 5" i	13' 5" a
1200S300-97	50	23' 7"	21' 5"	18' 4" e	25' 11" i	22' 5" i	18' 4" i	21' 5"	19' 6"	17' 0" e	24' 1" i	21' 11" i	18' 4" i
1200S300-118	50	25' 1"	22' 9"	19' 11"	28' 2" i	25' 7" i	21' 11" i	22' 9"	20' 8"	18' 1"	25' 7"	23' 3" i	20' 4" i
1200S350-54	50	19' 0" e	14' 9" e	9' 10" e	13' 10" a	10' 10" a	7' 6" a	18' 7" e	14' 9" e	9' 10" e	13' 10" a	10' 10" a	7' 6" a
1200S350-68	50	22' 2" e	19' 4" e	15' 10" e	20' 10" i	17' 3" i	12' 11" a	20' 1" e	18' 3" e	15' 10" e	20' 10" i	17' 3" i	12' 11" a
1200S350-97	50	24' 9"	22' 6"	19' 8" e	27' 9" i	24' 8" i	20' 2" i	22' 6"	20' 5"	17' 10" e	25' 3" i	22' 11" i	20' 0" i
1200S350-118	50	26' 4"	23' 11"	20' 10"	29' 6" i	26' 10" i	23' 5" i	23' 11"	21' 8"	19' 0"	26' 10"	24' 4" i	21' 3" i
1400S162-54	33	13' 11" e	12' 1" e	8' 5" e	12' 3" a	9' 10" a	6' 9" a	13' 11" e	12' 1" e	8' 5" e	12' 3" a	9' 10" a	6' 9" a
1400S162-54	50	15' 9" e	12' 7" e	8' 5" e	13' 2" a	10' 1" a	6' 9" a	15' 9" e	12' 7" e	8' 5" e	13' 2" a	10' 1" a	6' 9" a
1400S162-68	33	16' 7" e	14' 5" e	11' 9" e	16' 7" a	14' 5" a	11' 2" a	16' 7" e	14' 5" e	11' 9" e	16' 7" a	14' 5" a	11' 2" a

See notes located on page 2

TRADITIONAL FLOOR JOIST SPAN TABLES - 15 PSF DEAD LOAD AND 125 PSF LIVE LOAD

		15 psf Dead Load and 125 psf Live Load											
		L/360 Live Load Deflection						L/480 Live Load Deflection					
Section	Fy(ksi)	Single Span Spacing (in)			Two Equal Span Spacing (in)			Single Span Spacing (in)			Two Equal Span Spacing (in)		
		12"	16"	24"	12"	16"	24"	12"	16"	24"	12"	16"	24"
1400S162-68	50	18' 10" e	16' 4" e	13' 4" e	18' 10" i	16' 4" i	12' 2" a	18' 10" e	16' 4" e	13' 4" e	18' 10" i	16' 4" i	12' 2" a
1400S162-97	33	21' 7"	18' 8" e	15' 3" e	21' 7" i	18' 8" i	15' 3" a	21' 7"	18' 8" e	15' 3" e	21' 7" i	18' 8" i	15' 3" a
1400S162-97	50	24' 0"	21' 5"	17' 5" e	24' 8" i	21' 5" i	17' 5" i	21' 11"	19' 10"	17' 3" e	24' 5" i	21' 5" i	17' 5" i
1400S162-118	50	25' 7"	23' 3"	20' 3"	28' 7" i	24' 9" i	20' 3" i	23' 3"	21' 1"	18' 5"	26' 1" i	23' 9" i	20' 3" i
1400S200-54	33	15' 2" e	12' 7" e	8' 5" e	12' 8" a	10' 1" a	6' 9" a	15' 2" e	12' 7" e	8' 5" e	12' 8" a	10' 1" a	6' 9" a
1400S200-54	50	16' 10" e	12' 7" e	8' 5" e	13' 4" a	10' 1" a	6' 9" a	16' 10" e	12' 7" e	8' 5" e	13' 4" a	10' 1" a	6' 9" a
1400S200-68	33	17' 11" e	15' 6" e	12' 8" e	17' 11" a	15' 6" a	11' 7" a	17' 11" e	15' 6" e	12' 8" e	17' 11" a	15' 6" a	11' 7" a
1400S200-68	50	20' 4" e	17' 8" e	14' 5" e	20' 4" i	17' 0" i	12' 6" a	20' 0" e	17' 8" e	14' 5" e	20' 4" i	17' 0" i	12' 6" a
1400S200-97	33	23' 1" e	20' 0" e	16' 4" e	23' 1" i	20' 0" i	16' 4" a	22' 9" e	20' 0" e	16' 4" e	23' 1" i	20' 0" i	16' 4" a
1400S200-97	50	24' 11"	22' 7"	18' 8" e	26' 5" i	22' 11" i	18' 8" i	22' 9"	20' 8"	18' 0" e	25' 5" i	22' 11" i	18' 8" i
1400S200-118	50	26' 7"	24' 2"	21' 1"	29' 10" i	26' 5" i	21' 7" i	24' 2"	21' 11"	19' 2"	27' 1" i	24' 8" i	21' 6" i
1400S250-54	33	15' 9" e	12' 7" e	8' 5" e	12' 9" a	10' 1" a	6' 9" a	15' 9" e	12' 7" e	8' 5" e	12' 9" a	10' 1" a	6' 9" a
1400S250-54	50	16' 10" e	12' 7" e	8' 5" e	13' 5" a	10' 1" a	6' 9" a	16' 10" e	12' 7" e	8' 5" e	13' 5" a	10' 1" a	6' 9" a
1400S250-68	33	18' 7" e	16' 2" e	13' 2" e	18' 7" a	15' 10" a	11' 9" a	18' 7" e	16' 2" e	13' 2" e	18' 7" a	15' 10" a	11' 9" a
1400S250-68	50	21' 2" e	18' 4" e	14' 11" e	21' 0" i	17' 1" i	12' 6" a	20' 9" e	18' 4" e	14' 11" e	21' 0" i	17' 1" i	12' 6" a
1400S250-97	33	24' 0" e	20' 9" e	16' 11" e	24' 0" i	20' 9" i	16' 11" a	23' 7" e	20' 9" e	16' 11" e	24' 0" i	20' 9" i	16' 11" a
1400S250-97	50	25' 10"	23' 5"	19' 5" e	27' 5" i	23' 9" i	19' 5" i	23' 7"	21' 4"	18' 8" e	26' 4" i	23' 9" i	19' 5" i
1400S250-118	50	27' 6"	25' 0"	21' 10"	30' 11" i	27' 5" i	22' 5" i	25' 0"	22' 9"	19' 10"	28' 1" i	25' 6" i	22' 3" i
1400S300-54	50	16' 10" e	12' 7" e	8' 5" e	13' 5" a	10' 1" a	6' 9" a	16' 10" e	12' 7" e	8' 5" e	13' 5" a	10' 1" a	6' 9" a
1400S300-68	50	21' 8" e	18' 9" e	15' 4" e	21' 2" i	17' 2" a	12' 7" a	21' 4" e	18' 9" e	15' 4" e	21' 2" i	17' 2" a	12' 7" a
1400S300-97	50	26' 8"	24' 3"	19' 10" e	28' 1" i	24' 4" i	19' 10" i	24' 4"	22' 1"	19' 3" e	27' 3" i	24' 4" i	19' 10" i
1400S300-118	50	28' 5"	25' 10"	22' 7"	31' 11" i	28' 1" i	22' 11" i	25' 10"	23' 6"	20' 6"	29' 0" i	26' 4" i	22' 11" i
1400S350-54	50	16' 10" e	12' 7" e	8' 5" e	12' 7" a	9' 8" a	6' 7" a	16' 10" e	12' 7" e	8' 5" e	12' 7" a	9' 8" a	6' 7" a
1400S350-68	50	24' 2" e	20' 11" e	16' 11" e	20' 9" i	16' 10" i	12' 2" a	22' 9" e	20' 8" e	16' 11" e	20' 9" i	16' 10" i	12' 2" a
1400S350-97	50	28' 0"	25' 5" e	21' 11" e	30' 11" i	26' 10" i	21' 11" i	25' 5"	23' 1"	20' 2" e	28' 6" i	25' 11" i	21' 11" i
1400S350-118	50	29' 9"	27' 0"	23' 7"	33' 5" i	30' 4" i	25' 11" i	27' 0"	24' 7"	21' 5"	30' 4" i	27' 7" i	24' 1" i
1600S200-68	50	21' 5" e	18' 7" e	14' 9" e	18' 9" a	15' 1" a	10' 9" a	21' 5" e	18' 7" e	14' 9" e	18' 9" a	15' 1" a	10' 9" a
1600S200-97	50	27' 9"	24' 3" e	19' 10" e	28' 0" i	24' 3" i	19' 7" i	25' 4"	22' 11"	19' 10" e	28' 0" i	24' 3" i	19' 7" i
1600S200-118	50	29' 9"	27' 0"	23' 0"	32' 6" i	28' 2" i	23' 0" i	27' 1"	24' 7"	21' 6"	30' 4" i	27' 6" i	23' 0" i
1600S250-68	50	22' 4" e	19' 4" e	14' 9" e	18' 9" a	15' 1" a	10' 10" a	22' 4" e	19' 4" e	14' 9" e	18' 9" a	15' 1" a	10' 10" a
1600S250-97	50	28' 8"	25' 3" e	20' 7" e	29' 2" i	25' 3" i	20' 1" i	26' 2"	23' 9"	20' 7" e	29' 2" i	25' 3" i	20' 1" i
1600S250-118	50	30' 9"	27' 11"	23' 11" e	33' 10" i	29' 3" i	23' 11" i	28' 0"	25' 5"	22' 2"	31' 5" i	28' 6" i	23' 11" i
1600S300-68	50	22' 11" e	19' 10" e	14' 9" e	18' 11" a	15' 2" a	10' 10" a	22' 11" e	19' 10" e	14' 9" e	18' 11" a	15' 2" a	10' 10" a
1600S300-97	50	29' 7"	25' 11" e	21' 2" e	29' 11" i	25' 11" i	20' 7" i	27' 0"	24' 6" e	21' 2" e	29' 11" i	25' 11" i	20' 7" i
1600S300-118	50	31' 9"	28' 10"	24' 7" e	34' 9" i	30' 1" i	24' 7" i	28' 10"	26' 2"	22' 10"	32' 4" i	29' 4" i	24' 7" i
1600S350-68	50	25' 9" e	22' 1" e	14' 9" e	19' 11" a	15' 9" a	11' 1" a	24' 10" e	22' 1" e	14' 9" e	19' 11" a	15' 9" a	11' 1" a
1600S350-97	50	30' 11"	28' 1" e	23' 5" e	32' 6" i	27' 7" i	21' 7" a	28' 2"	25' 7" e	22' 4" e	31' 7" i	27' 7" i	21' 7" a
1600S350-118	50	33' 1"	30' 1"	26' 3" e	37' 1" i	33' 0" i	26' 11" i	30' 1"	27' 4"	23' 11" e	33' 9" i	30' 8" i	26' 9" i

See notes located on page 2

TRADITIONAL FLOOR JOIST SPAN TABLES - 40 PSF DEAD LOAD AND 125 PSF LIVE LOAD

		40 psf Dead Load and 125 psf Live Load											
		L/360 Live Load Deflection						L/480 Live Load Deflection					
Section	Fy(ksi)	Single Span Spacing (in)			Two Equal Span Spacing (in)			Single Span Spacing (in)			Two Equal Span Spacing (in)		
		12"	16"	24"	12"	16"	24"	12"	16"	24"	12"	16"	24"
600S162-33	33	6' 2" e	5' 4" e	3' 10" e	5' 7" a	4' 5" a	3' 1" a	6' 2" e	5' 4" e	3' 10" e	5' 7" a	4' 5" a	3' 1" a
600S162-43	33	7' 8" e	6' 7" e	5' 5" e	7' 8" a	6' 7" a	5' 1" a	7' 8" e	6' 7" e	5' 5" e	7' 8" a	6' 7" a	5' 1" a
600S162-54	33	8' 11" e	7' 9" e	6' 4" e	8' 11" i	7' 9" a	6' 4" a	8' 11" e	7' 9" e	6' 4" e	8' 11" i	7' 9" a	6' 4" a
600S162-54	50	10' 0"	8' 10" e	7' 3" e	10' 3" i	8' 10" i	7' 3" i	9' 1"	8' 3"	7' 3" e	10' 2" i	8' 10" i	7' 3" i
600S162-68	33	10' 5"	9' 0" e	7' 4" e	10' 5" i	9' 0" i	7' 4" a	9' 9"	8' 10" e	7' 4" e	10' 5" i	9' 0" i	7' 4" a
600S162-68	50	10' 9"	9' 9"	8' 6" e	12' 0" i	10' 5" i	8' 6" i	9' 9"	8' 10"	7' 9"	10' 11" i	9' 11" i	8' 6" i
600S162-97	33	11' 11"	10' 9"	8' 10"	12' 5" i	10' 9" i	8' 8" i	10' 10"	9' 10"	8' 7"	12' 1" i	10' 9" i	8' 8" i
600S162-97	50	11' 11"	10' 10"	9' 5"	13' 4"	12' 1" i	10' 7" i	10' 10"	9' 10"	8' 7"	12' 1" i	11' 0"	9' 7" i
600S162-118	50	12' 7"	11' 5"	10' 0"	14' 1"	12' 10"	10' 7" i	11' 5"	10' 4"	9' 1"	12' 10"	11' 8"	10' 2"
600S200-33	33	6' 7" e	5' 9" e	3' 10" e	5' 8" a	4' 6" a	3' 1" a	6' 7" e	5' 9" e	3' 10" e	5' 8" a	4' 6" a	3' 1" a
600S200-43	33	7' 11" e	6' 10" e	5' 7" e	7' 11" a	6' 10" a	5' 1" a	7' 11" e	6' 10" e	5' 7" e	7' 11" a	6' 10" a	5' 1" a
600S200-54	33	9' 5" e	8' 2" e	6' 8" e	9' 5" i	8' 2" a	6' 8" a	9' 5" e	8' 2" e	6' 8" e	9' 5" i	8' 2" a	6' 8" a
600S200-54	50	10' 6"	9' 1" e	7' 5" e	10' 6" i	9' 1" i	7' 4" i	9' 7" 8'	8" e	7' 5" e	10' 6" i	9' 1" i	7' 4" i
600S200-68	33	11' 0" e	9' 6" e	7' 9" e	11' 0" i	9' 6" i	7' 9" a	10' 3"	9' 4" e	7' 9" e	11' 0" i	9' 6" i	7' 9" a
600S200-68	50	11' 3"	10' 3"	8' 11" e	12' 8" i	11' 0" i	8' 11" i	10' 3"	9' 4"	8' 2"	11' 6" i	10' 5" i	8' 11" i
600S200-97	33	12' 6"	11' 4"	9' 4"	13' 3" i	11' 6" i	9' 0" i	11' 4"	10' 4"	9' 0"	12' 9" i	11' 6" i	9' 0" i
600S200-97	50	12' 6"	11' 4"	9' 11"	14' 1"	12' 9" i	11' 2" i	11' 4"	10' 4"	9' 0"	12' 9" i	11' 7"	10' 2" i
600S200-118	50	13' 3"	12' 0"	10' 6"	14' 10"	13' 6"	11' 1" i	12' 0"	10' 11"	9' 7"	13' 6"	12' 3"	10' 9"
600S250-43	33	8' 1" e	7' 0" e	5' 9" e	8' 1" a	7' 0" a	5' 2" a	8' 1" e	7' 0" e	5' 9" e	8' 1" a	7' 0" a	5' 2" a
600S250-54	33	9' 5" e	8' 2" e	6' 8" e	9' 5" i	8' 2" a	6' 8" a	9' 5" e	8' 2" e	6' 8" e	9' 5" i	8' 2" a	6' 8" a
600S250-54	50	10' 9"	9' 4" e	7' 7" e	10' 9" i	9' 4" i	7' 5" a	10' 0"	9' 1" e	7' 7" e	10' 9" i	9' 4" i	7' 5" a
600S250-68	33	11' 3" e	9' 9" e	8' 0" e	11' 3" i	9' 9" i	8' 0" a	10' 9"	9' 9" e	8' 0" e	11' 3" i	9' 9" i	8' 0" a
600S250-68	50	11' 10"	10' 9"	8' 11" e	12' 7" i	10' 11" i	8' 11" i	10' 9"	9' 9"	8' 6" e	12' 1" i	10' 11" i	8' 11" i
600S250-97	33	13' 2"	11' 11"	9' 11"	14' 1" i	12' 2" i	9' 4" i	11' 11"	10' 10"	9' 6"	13' 5" i	12' 2" i	9' 4" i
600S250-97	50	13' 2"	11' 11"	10' 5"	14' 9" i	13' 5" i	11' 7" i	11' 11"	10' 10"	9' 6"	13' 5" i	12' 2" i	10' 8" i
600S250-118	50	13' 11"	12' 8"	11' 1"	15' 8"	14' 2"	11' 6" i	12' 8"	11' 6"	10' 0"	14' 2"	12' 11"	11' 3" i
600S300-54	50	10' 11"	9' 6" e	7' 9" e	10' 11" i	9' 6" i	7' 6" a	10' 4"	9' 4" e	7' 9" e	10' 11" i	9' 6" i	7' 6" a
600S300-68	50	12' 3"	11' 1"	9' 1" e	12' 10" i	11' 1" i	9' 1" i	11' 2"	10' 2"	8' 10" e	12' 6" i	11' 1" i	9' 1" i
600S300-97	50	13' 9"	12' 6"	10' 11"	15' 5" i	13' 11" i	11' 5" i	12' 6"	11' 4"	9' 11"	14' 0"	12' 9" i	11' 1" i
600S300-118	50	14' 6"	13' 2"	11' 6"	16' 4"	14' 10"	11' 10" i	13' 2"	12' 0"	10' 6"	14' 10"	13' 6"	11' 9" i
600S350-54	50	11' 11" e	10' 6" e	8' 7" e	11' 4" i	9' 6" i	7' 3" i	10' 10"	9' 10" e	8' 7" e	11' 4" i	9' 6" i	7' 3" i
600S350-68	50	13' 0"	11' 9"	10' 0" e	13' 8" i	11' 7" i	9' 0" i	11' 9"	10' 8"	9' 4" e	13' 3" i	11' 7" i	9' 0" i
600S350-97	50	14' 5"	13' 2"	11' 6"	16' 3" i	14' 3" i	11' 2" i	13' 2"	11' 11"	10' 5"	14' 9"	13' 5" i	11' 2" i
600S350-118	50	15' 4"	13' 11"	12' 2"	17' 3"	15' 8"	12' 5" i	13' 11"	12' 8"	11' 1"	15' 8"	14' 2"	12' 5" i
800S162-33	33	5' 9" e	4' 4" e	2' 10" e	4' 7" a	3' 5" a	2' 4" a	5' 9" e	4' 4" e	2' 10" e	4' 7" a	3' 5" a	2' 4" a
800S162-43	33	8' 7" e	7' 5" e	6' 1" e	8' 2" a	6' 8" a	4' 10" a	8' 7" e	7' 5" e	6' 1" e	8' 2" a	6' 8" a	4' 10" a
800S162-54	33	10' 1" e	8' 8" e	7' 1" e	10' 1" a	8' 8" a	7' 1" a	10' 1" e	8' 8" e	7' 1" e	10' 1" a	8' 8" a	7' 1" a
800S162-54	50	11' 6" e	10' 0" e	8' 2" e	11' 6" i	10' 0" i	8' 0" a	11' 5" e	10' 0" e	8' 2" e	11' 6" i	10' 0" i	8' 0" a
800S162-68	33	11' 8" e	10' 2" e	8' 3" e	11' 8" i	10' 2" i	8' 3" a	11' 8" e	10' 2" e	8' 3" e	11' 8" i	10' 2" i	8' 3" a
800S162-68	50	13' 6"	11' 8"	9' 7" e	13' 6" i	11' 8" i	9' 7" i	12' 4"	11' 2"	9' 7" e	13' 6" i	11' 8" i	9' 7" i
800S162-97	33	15' 0"	13' 3"	10' 10" e	15' 4" i	13' 3" i	10' 10" i	13' 8"	12' 5"	10' 10" e	15' 4" i	13' 3" i	10' 10" i
800S162-97	50	15' 0"	13' 8"	11' 11"	16' 11" i	14' 9" i	12' 1" i	13' 8"	12' 5"	10' 10"	15' 4" i	13' 11" i	12' 1" i
800S162-118	50	15' 11"	14' 5"	12' 7"	17' 10"	16' 3" i	13' 11" i	14' 5"	13' 2"	11' 6"	16' 3" i	14' 9"	12' 11" i

See notes located on page 2

TRADITIONAL FLOOR JOIST SPAN TABLES - 40 PSF DEAD LOAD AND 125 PSF LIVE LOAD

		40 psf Dead Load and 125 psf Live Load											
		L/360 Live Load Deflection						L/480 Live Load Deflection					
Section	Fy(ksi)	Single Span Spacing (in)			Two Equal Span Spacing (in)			Single Span Spacing (in)			Two Equal Span Spacing (in)		
		12"	16"	24"	12"	16"	24"	12"	16"	24"	12"	16"	24"
800S200-33	33	5'9"e	4'4"e	2'10"e	4'7"a	3'5"a	2'4"a	5'9"e	4'4"e	2'10"e	4'7"a	3'5"a	2'4"a
800S200-43	33	9'2"e	8'0"e	6'4"e	8'9"a	7'0"a	5'1"a	9'2"e	8'0"e	6'4"e	8'9"a	7'0"a	5'1"a
800S200-54	33	11'1"e	9'7"e	7'10"e	11'1"a	9'7"a	7'10"a	11'1"e	9'7"e	7'10"e	11'1"a	9'7"a	7'10"a
800S200-54	50	12'3"e	10'8"e	8'8"e	12'3"i	10'8"a	8'5"a	12'0"e	10'8"e	8'8"e	12'3"i	10'8"a	8'5"a
800S200-68	33	13'0"e	11'3"e	9'2"e	13'0"i	11'3"a	9'2"a	12'11"e	11'3"e	9'2"e	13'0"i	11'3"a	9'2"a
800S200-68	50	14'2"e	12'10"e	10'6"e	14'10"i	12'10"i	10'6"i	12'11"e	11'8"e	10'3"e	14'5"i	12'10"i	10'6"i
800S200-97	33	15'9"e	14'1"e	11'6"e	16'3"i	14'1"i	11'6"i	14'4"e	13'0"e	11'4"e	16'1"i	14'1"i	11'6"i
800S200-97	50	15'9"e	14'4"e	12'6"e	17'8"i	16'1"i	13'6"i	14'4"e	13'0"e	11'4"e	16'1"i	14'7"i	12'9"i
800S200-118	50	16'8"e	15'2"e	13'3"e	18'9"i	17'0"i	14'8"i	15'2"e	13'9"e	12'0"e	17'0"i	15'6"i	13'6"i
800S250-43	33	9'5"e	8'2"e	6'4"e	8'9"a	7'1"a	5'1"a	9'5"e	8'2"e	6'4"e	8'9"a	7'1"a	5'1"a
800S250-54	33	11'0"e	9'7"e	7'10"e	11'0"a	9'7"a	7'9"a	11'0"e	9'7"e	7'10"e	11'0"a	9'7"a	7'9"a
800S250-54	50	12'7"e	10'11"e	8'11"e	12'7"i	10'11"a	8'6"a	12'6"e	10'11"e	8'11"e	12'7"i	10'11"a	8'6"a
800S250-68	33	13'3"e	11'6"e	9'5"e	13'3"i	11'6"a	9'5"a	13'3"e	11'6"e	9'5"e	13'3"i	11'6"a	9'5"a
800S250-68	50	14'9"e	12'9"e	10'5"e	14'9"i	12'9"i	10'5"i	13'5"e	12'3"e	10'5"e	14'9"i	12'9"i	10'5"i
800S250-97	33	16'6"e	14'8"e	11'11"e	16'11"i	14'8"i	11'11"i	15'0"e	13'7"e	11'11"e	16'10"i	14'8"i	11'11"i
800S250-97	50	16'6"e	15'0"e	13'1"e	18'6"i	16'10"i	13'9"i	15'0"e	13'7"e	11'11"e	16'10"i	15'3"i	13'4"i
800S250-118	50	17'6"e	15'10"e	13'10"e	19'7"i	17'10"i	15'2"i	15'10"e	14'5"e	12'7"e	17'10"i	16'2"i	14'2"i
800S300-54	50	12'9"e	11'0"e	9'0"e	12'9"i	11'0"a	8'6"a	12'9"e	11'0"e	9'0"e	12'9"i	11'0"a	8'6"a
800S300-68	50	15'0"e	13'0"e	10'7"e	15'0"i	13'0"i	10'7"i	13'11"e	12'7"e	10'7"e	15'0"i	13'0"i	10'7"i
800S300-97	50	17'2"e	15'7"e	13'6"e	19'1"i	16'6"i	13'6"i	15'7"e	14'2"e	12'4"e	17'6"i	15'11"i	13'6"i
800S300-118	50	18'2"e	16'6"e	14'5"e	20'5"i	18'6"i	15'9"i	16'6"e	15'0"e	13'1"e	18'6"i	16'10"i	14'9"i
800S350-54	50	14'2"e	12'3"e	10'0"e	13'2"i	10'11"a	8'2"a	13'6"e	12'3"e	10'0"e	13'2"i	10'11"a	8'2"a
800S350-68	50	16'2"e	14'4"e	11'9"e	16'6"i	13'11"i	10'10"a	14'8"e	13'4"e	11'8"e	16'6"i	13'11"i	10'10"a
800S350-97	50	18'0"e	16'4"e	14'4"e	20'3"i	17'8"i	14'1"i	16'4"e	14'11"e	13'0"e	18'5"i	16'8"i	14'1"i
800S350-118	50	19'2"e	17'5"e	15'2"e	21'6"i	19'6"i	16'9"i	17'5"e	15'10"e	13'10"e	19'6"i	17'9"i	15'6"i
1000S162-43	33	9'6"e	7'7"e	5'1"e	7'9"a	6'1"a	4'1"a	9'6"e	7'7"e	5'1"e	7'9"a	6'1"a	4'1"a
1000S162-54	33	11'3"e	9'9"e	7'11"e	11'3"a	9'5"a	7'0"a	11'3"e	9'9"e	7'11"e	11'3"a	9'5"a	7'0"a
1000S162-54	50	12'9"e	11'1"e	9'0"e	12'9"i	10'4"a	7'7"a	12'9"e	11'1"e	9'0"e	12'9"i	10'4"a	7'7"a
1000S162-68	33	13'2"e	11'5"e	9'4"e	13'2"i	11'5"a	9'4"a	13'2"e	11'5"e	9'4"e	13'2"i	11'5"a	9'4"a
1000S162-68	50	15'1"e	13'1"e	10'8"e	15'1"i	13'1"i	10'8"a	14'8"e	13'1"e	10'8"e	15'1"i	13'1"i	10'8"a
1000S162-97	33	16'6"e	14'3"e	11'8"e	16'6"i	14'3"i	11'8"i	16'5"e	14'3"e	11'8"e	16'6"i	14'3"i	11'8"i
1000S162-97	50	18'1"e	16'5"e	13'8"e	19'4"i	16'9"i	13'8"i	16'5"e	14'11"e	13'1"e	18'6"i	16'9"i	13'8"i
1000S162-118	50	19'2"e	17'5"e	15'3"e	21'6"i	18'9"i	15'2"i	17'5"e	15'10"e	13'10"e	19'7"i	17'9"i	15'2"i
1000S200-43	33	10'2"e	7'7"e	5'1"e	7'11"a	6'1"a	4'1"a	10'2"e	7'7"e	5'1"e	7'11"a	6'1"a	4'1"a
1000S200-54	33	12'0"e	10'5"e	8'6"e	12'0"a	9'10"a	7'3"a	12'0"e	10'5"e	8'6"e	12'0"a	9'10"a	7'3"a
1000S200-54	50	13'9"e	11'11"e	9'8"e	13'0"i	10'6"a	7'8"a	13'9"e	11'11"e	9'8"e	13'0"i	10'6"a	7'8"a
1000S200-68	33	14'1"e	12'2"e	9'11"e	14'1"a	12'2"a	9'11"a	14'1"e	12'2"e	9'11"e	14'1"a	12'2"a	9'11"a
1000S200-68	50	16'2"e	14'0"e	11'5"e	16'2"i	14'0"i	11'5"a	15'4"e	13'11"e	11'5"e	16'2"i	14'0"i	11'5"a
1000S200-97	33	17'7"e	15'3"e	12'5"e	17'7"i	15'3"i	12'5"i	17'2"e	15'3"e	12'5"e	17'7"i	15'3"i	12'5"i
1000S200-97	50	18'11"e	17'2"e	14'7"e	20'7"i	17'10"i	14'7"i	17'2"e	15'7"e	13'8"e	19'3"i	17'6"i	14'7"i
1000S200-118	50	20'1"e	18'3"e	15'11"e	22'6"i	20'0"i	16'2"i	18'3"e	16'7"e	14'5"e	20'5"i	18'7"i	16'2"i
1000S250-43	33	10'2"e	7'7"e	5'1"e	8'1"a	6'1"a	4'1"a	10'2"e	7'7"e	5'1"e	8'1"a	6'1"a	4'1"a
1000S250-54	33	12'5"e	10'9"e	8'9"e	12'5"a	10'2"a	7'6"a	12'5"e	10'9"e	8'9"e	12'5"a	10'2"a	7'6"a
1000S250-54	50	14'1"e	12'2"e	10'0"e	13'4"i	10'9"a	7'10"a	14'1"e	12'2"e	10'0"e	13'4"i	10'9"a	7'10"a
1000S250-68	33	15'0"e	13'0"e	10'7"e	15'0"a	13'0"a	10'7"a	15'0"e	13'0"e	10'7"e	15'0"a	13'0"a	10'7"a

See notes located on page 2

TRADITIONAL FLOOR JOIST SPAN TABLES - 40 PSF DEAD LOAD AND 125 PSF LIVE LOAD

		40 psf Dead Load and 125 psf Live Load											
		L/360 Live Load Deflection						L/480 Live Load Deflection					
Section	Fy(ksi)	Single Span Spacing (in)			Two Equal Span Spacing (in)			Single Span Spacing (in)			Two Equal Span Spacing (in)		
		12"	16"	24"	12"	16"	24"	12"	16"	24"	12"	16"	24"
1000S250-68	50	16' 7" e	14' 4" e	11' 9" e	16' 7" i	14' 4" i	11' 9" a	16' 1" e	14' 4" e	11' 9" e	16' 7" i	14' 4" i	11' 9" a
1000S250-97	33	19' 3"	16' 8" e	13' 7" e	19' 3" i	16' 8" i	13' 7" a	17' 11"	16' 3" e	13' 7" e	19' 3" i	16' 8" i	13' 7" a
1000S250-97	50	19' 8"	17' 11"	15' 7" e	22' 0" i	19' 1" i	15' 7" i	17' 11"	16' 3"	14' 2"	20' 1" i	18' 3" i	15' 7" i
1000S250-118	50	20' 11"	19' 0"	16' 7"	23' 5" i	21' 4" i	18' 0" i	19' 0"	17' 3"	15' 1"	21' 4"	19' 4" i	16' 11" i
1000S300-54	50	14' 4" e	12' 5" e	10' 1" e	13' 5" i	10' 10" a	7' 10" a	14' 4" e	12' 5" e	10' 1" e	13' 5" i	10' 10" a	7' 10" a
1000S300-68	50	16' 10" e	14' 7" e	11' 11" e	16' 10" i	14' 7" i	11' 11" a	16' 7" e	14' 7" e	11' 11" e	16' 10" i	14' 7" i	11' 11" a
1000S300-97	50	20' 5"	18' 7"	15' 3" e	21' 7" i	18' 9" i	15' 3" i	18' 7"	16' 10"	14' 9" e	20' 10" i	18' 9" i	15' 3" i
1000S300-118	50	21' 8"	19' 8"	17' 2"	24' 4" i	22' 1" i	18' 3" i	19' 8"	17' 11"	15' 8"	22' 1" i	20' 1" i	17' 7" i
1000S350-54	50	15' 11" e	13' 10" e	10' 1" e	12' 11" i	10' 5" a	7' 5" a	15' 11" e	13' 10" e	10' 1" e	12' 11" i	10' 5" a	7' 5" a
1000S350-68	50	18' 8" e	16' 2" e	13' 3" e	18' 5" i	15' 6" a	11' 10" a	17' 5" e	15' 10" e	13' 3" e	18' 5" i	15' 6" a	11' 10" a
1000S350-97	50	21' 5"	19' 6"	16' 10" e	23' 9" i	20' 7" i	16' 6" i	19' 6"	17' 8"	15' 5" e	21' 10" i	19' 10" i	16' 6" i
1000S350-118	50	22' 9"	20' 8"	18' 1"	25' 7" i	23' 3" i	19' 9" i	20' 8"	18' 10"	16' 5"	23' 3"	21' 1" i	18' 5" i
1200S162-54	33	12' 1" e	10' 6" e	8' 4" e	11' 4" a	9' 1" a	6' 7" a	12' 1" e	10' 6" e	8' 4" e	11' 4" a	9' 1" a	6' 7" a
1200S162-54	50	13' 9" e	11' 11" e	8' 4" e	12' 2" a	9' 9" a	6' 8" a	13' 9" e	11' 11" e	8' 4" e	12' 2" a	9' 9" a	6' 8" a
1200S162-68	33	14' 4" e	12' 5" e	10' 2" e	14' 4" a	12' 5" a	10' 1" a	14' 4" e	12' 5" e	10' 2" e	14' 4" a	12' 5" a	10' 1" a
1200S162-68	50	16' 4" e	14' 2" e	11' 7" e	16' 4" i	14' 2" i	11' 2" a	16' 4" e	14' 2" e	11' 7" e	16' 4" i	14' 2" i	11' 2" a
1200S162-97	33	18' 5"	15' 11" e	13' 0" e	18' 5" i	15' 11" i	13' 0" a	18' 5"	15' 11" e	13' 0" e	18' 5" i	15' 11" i	13' 0" a
1200S162-97	50	21' 1"	18' 4"	15' 0" e	21' 2" i	18' 4" i	15' 0" i	19' 2"	17' 5"	15' 0" e	21' 2" i	18' 4" i	15' 0" i
1200S162-118	50	22' 5"	20' 4"	17' 3"	24' 5" i	21' 1" i	17' 2" i	20' 4"	18' 6"	16' 2"	22' 10" i	20' 9" i	17' 2" i
1200S200-54	33	13' 1" e	11' 4" e	8' 4" e	11' 8" a	9' 5" a	6' 8" a	13' 1" e	11' 4" e	8' 4" e	11' 8" a	9' 5" a	6' 8" a
1200S200-54	50	14' 10" e	12' 6" e	8' 4" e	12' 5" a	9' 11" a	6' 8" a	14' 10" e	12' 6" e	8' 4" e	12' 5" a	9' 11" a	6' 8" a
1200S200-68	50	17' 7" e	15' 3" e	12' 5" e	17' 7" i	15' 3" a	11' 6" a	17' 7" e	15' 3" e	12' 5" e	17' 7" i	15' 3" a	11' 6" a
1200S200-68	33	15' 5" e	13' 4" e	10' 11" e	15' 5" a	13' 4" a	10' 6" a	15' 5" e	13' 4" e	10' 11" e	15' 5" a	13' 4" a	10' 6" a
1200S200-97	33	19' 8" e	17' 0" e	13' 11" e	19' 8" i	17' 0" i	13' 11" a	19' 8" e	17' 0" e	13' 11" e	19' 8" i	17' 0" i	13' 11" a
1200S200-97	50	22' 0"	19' 7"	16' 0" e	22' 8" i	19' 7" i	16' 0" i	20' 0"	18' 2" 1	5' 10" e	22' 5" i	19' 7" i	16' 0" i
1200S200-118	50	23' 4"	21' 2"	18' 4"	26' 0" i	22' 6" i	18' 3" i	21' 2"	19' 3"	16' 10"	23' 10" i	21' 8" i	18' 3" i
1200S250-54	33	13' 7" e	11' 9" e	8' 4" e	11' 9" a	9' 5" a	6' 8" a	13' 7" e	11' 9" e	8' 4" e	11' 9" a	9' 5" a	6' 8" a
1200S250-54	50	15' 4" e	12' 6" e	8' 4" e	12' 6" a	10' 0" a	6' 8" a	15' 4" e	12' 6" e	8' 4" e	12' 6" a	10' 0" a	6' 8" a
1200S250-68	33	15' 11" e	13' 10" e	11' 3" e	15' 11" a	13' 10" a	10' 9" a	15' 11" e	13' 10" e	11' 3" e	15' 11" a	13' 10" a	10' 9" a
1200S250-68	50	18' 2" e	15' 9" e	12' 10" e	18' 2" i	15' 6" a	11' 7" a	18' 2" e	15' 9" e	12' 10" e	18' 2" i	15' 6" a	11' 7" a
1200S250-97	33	20' 4" e	17' 8" e	14' 5" e	20' 4" i	17' 8" i	14' 5" a	20' 4" e	17' 8" e	14' 5" e	20' 4" i	17' 8" i	14' 5" a
1200S250-97	50	22' 10"	20' 3"	16' 6" e	23' 5" i	20' 3" i	16' 6" i	20' 9"	18' 10"	16' 6" e	23' 3" i	20' 3" i	16' 6" i
1200S250-118	50	24' 3"	22' 0"	19' 0"	26' 10" i	23' 3" i	19' 0" i	22' 0"	20' 0"	17' 6"	24' 9" i	22' 6" i	19' 0" i
1200S300-54	50	15' 8" e	12' 6" e	8' 4" e	12' 8" a	10' 0" a	6' 8" a	15' 8" e	12' 6" e	8' 4" e	12' 8" a	10' 0" a	6' 8" a
1200S300-68	50	18' 6" e	16' 0" e	13' 1" e	18' 6" i	16' 0" a	11' 10" a	18' 6" e	16' 0" e	13' 1" e	18' 6" i	16' 0" a	11' 10" a
1200S300-97	50	23' 7"	20' 8"	16' 11" e	23' 10" i	20' 8" i	16' 11" i	21' 5"	19' 6"	16' 11" e	23' 10" i	20' 8" i	16' 11" i
1200S300-118	50	25' 1"	22' 9"	19' 11"	28' 2" i	24' 9" i	20' 2" i	22' 9"	20' 8"	18' 1"	25' 7" i	23' 3" i	20' 2" i
1200S350-54	50	16' 8" e	12' 6" e	8' 4" e	12' 1" a	9' 5" a	6' 6" a	16' 8" e	12' 6" e	8' 4" e	12' 1" a	9' 5" a	6' 6" a
1200S350-68	50	20' 7" e	17' 10" e	14' 7" e	18' 9" i	15' 5" a	11' 5" a	20' 1" e	17' 10" e	14' 7" e	18' 9" i	15' 5" a	11' 5" a
1200S350-97	50	24' 9"	22' 6" e	18' 7" e	26' 3" i	22' 9" i	18' 6" i	22' 6"	20' 5"	17' 10" e	25' 3" i	22' 9" i	18' 6" i
1200S350-118	50	26' 4"	23' 11"	20' 10" e	29' 6" i	26' 10" i	22' 0" i	23' 11"	21' 8"	19' 0"	26' 10" i	24' 4" i	21' 3" i
1400S162-54	33	12' 10" e	10' 8" e	7' 2" e	10' 10" a	8' 7" a 5'	8" a 12'	10" e	10' 8" e	7' 2" e	10' 10" a	8' 7" a	5' 8" a
1400S162-54	50	14' 3" e	10' 8" e	7' 2" e	11' 5" a	8' 7" a	5' 8" a	14' 3" e	10' 8" e	7' 2" e	11' 5" a	8' 7" a	5' 8" a
1400S162-68	33	15' 4" e	13' 3" e	10' 10" e	15' 4" a	13' 3" a	9' 11" a	15' 4" e	13' 3" e	10' 10" e	15' 4" a	13' 3" a	9' 11" a

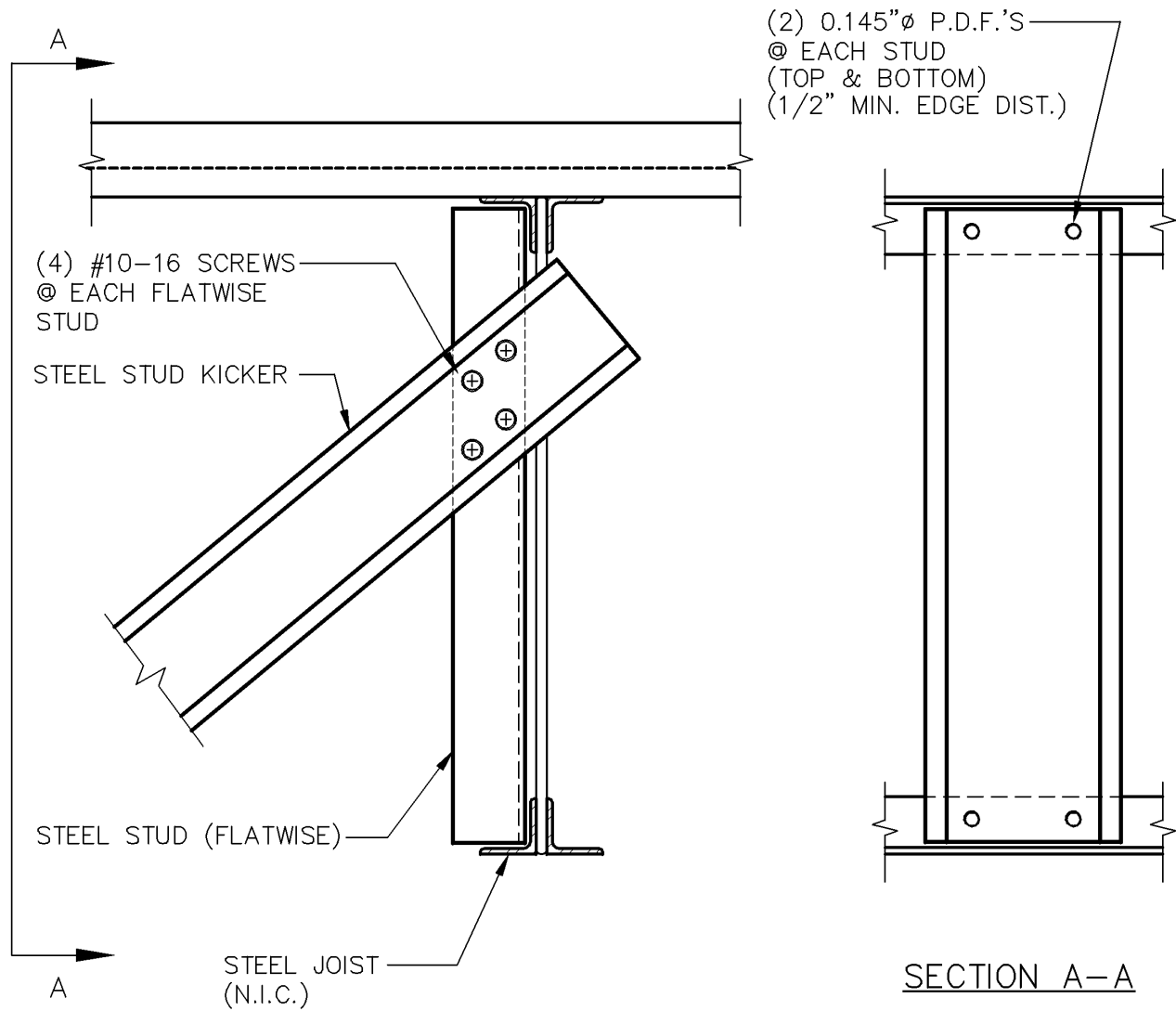
See notes located on page 2

TRADITIONAL FLOOR JOIST SPAN TABLES - 40 PSF DEAD LOAD AND 125 PSF LIVE LOAD

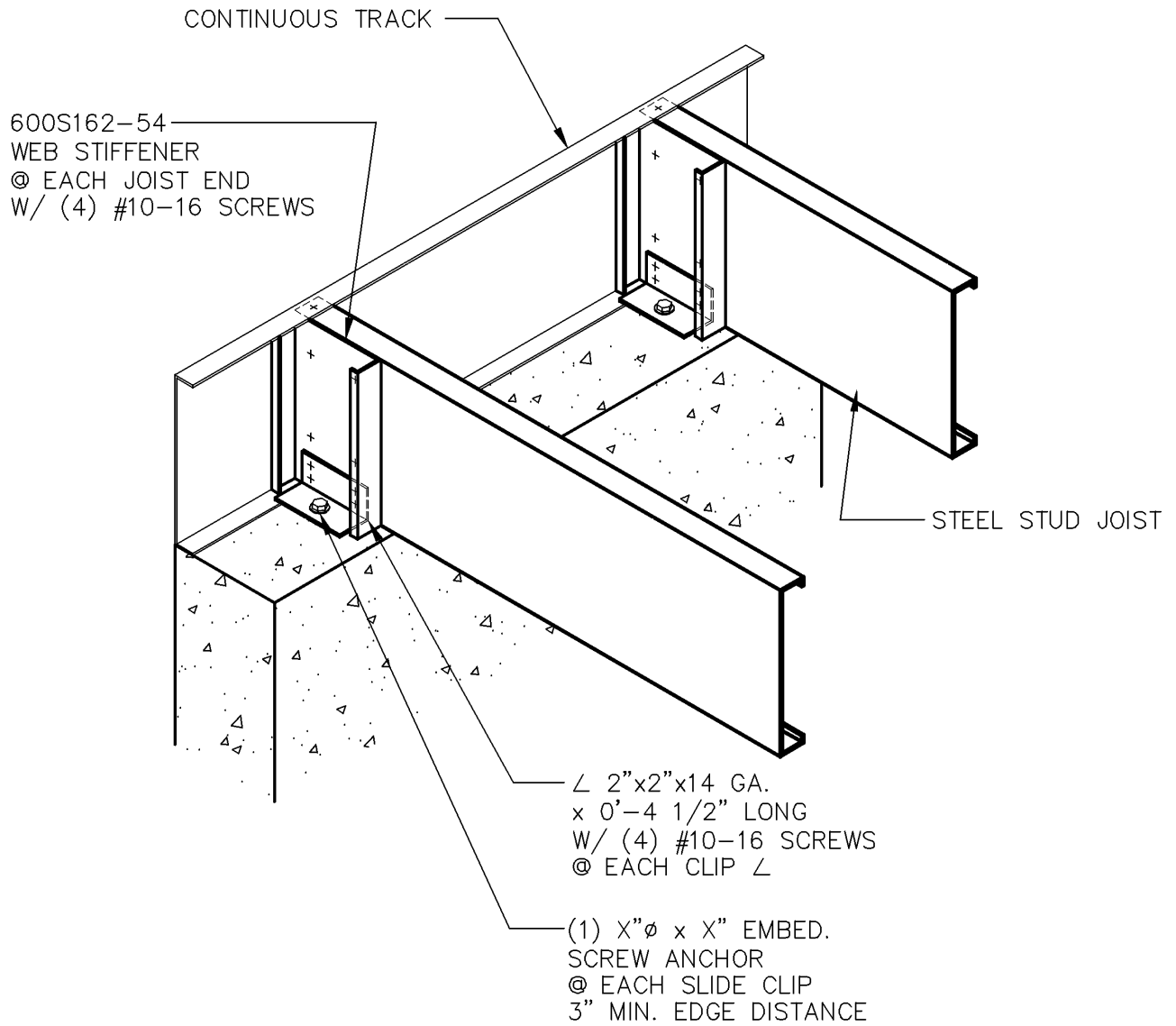
		40 psf Dead Load and 125 psf Live Load											
		L/360 Live Load Deflection						L/480 Live Load Deflection					
Section	Fy(ksi)	Single Span Spacing (in)			Two Equal Span Spacing (in)			Single Span Spacing (in)			Two Equal Span Spacing (in)		
		12"	16"	24"	12"	16"	24"	12"	16"	24"	12"	16"	24"
1400S162-68	50	17' 4" e	15' 0" e	12' 3" e	17' 4" i	14' 7" a	10' 9" a	17' 4" e	15' 0" e	12' 3" e	17' 4" i	14' 7" a	10' 9" a
1400S162-97	33	19' 10" e	17' 2" e	14' 1" e	19' 10" i	17' 2" i	14' 1" a	19' 10" e	17' 2" e	14' 1" e	19' 10" i	17' 2" i	14' 1" a
1400S162-97	50	22' 9" e	19' 8" e	16' 1" e	22' 9" i	19' 8" i	16' 1" i	21' 10" e	19' 8" e	16' 1" e	22' 9" i	9' 8" i	16' 1" i
1400S162-118	50	25' 7" e	22' 10" e	18' 7" e	26' 4" i	22' 10" i	18' 7" i	23' 3" e	21' 1" e	18' 5" e	26' 1" i	22' 10" i	18' 7" i
1400S200-54	33	13' 11" e	10' 8" e	7' 2" e	11' 2" a	8' 7" a	5' 8" a	13' 11" e	10' 8" e	7' 2" e	11' 2" a	8' 7" a	5' 8" a
1400S200-54	50	14' 3" e	10' 8" e	7' 2" e	11' 5" a	8' 7" a	5' 8" a	14' 3" e	10' 8" e	7' 2" e	11' 5" a	8' 7" a	5' 8" a
1400S200-68	33	16' 6" e	14' 4" e	11' 8" e	16' 6" a	13' 9" a	10' 2" a	16' 6" e	14' 4" e	11' 8" e	16' 6" a	13' 9" a	10' 2" a
1400S200-68	50	18' 9" e	16' 3" e	13' 3" e	18' 7" i	15' 0" a	11' 0" a	18' 9" e	16' 3" e	13' 3" e	18' 7" i	15' 0" a	11' 0" a
1400S200-97	33	21' 3" e	18' 5" e	15' 0" e	21' 3" i	18' 5" a	15' 0" a	21' 3" e 1	8' 5" e	15' 0" e	21' 3" i	18' 5" a	15' 0" a
1400S200-97	50	24' 4" e	21' 1" e	17' 3" e	24' 4" i	21' 1" i	17' 3" i	22' 8" e	20' 7" 1	7' 3" e	24' 4" i	21' 1" i	17' 3" i
1400S200-118	50	26' 7" e	24' 2" e	19' 11" e	28' 1" i	24' 4" i	19' 11" i	24' 2" e	21' 11" e	19' 2" e	27' 1" i	24' 4" i	19' 11" i
1400S250-54	33	14' 3" e	10' 8" e	7' 2" e	11' 2" a	8' 7" a	5' 8" a	14' 3" e	10' 8" e	7' 2" e	11' 2" a	8' 7" a	5' 8" a
1400S250-54	50	14' 3" e	10' 8" e	7' 2" e	11' 5" a	8' 7" a	5' 8" a	14' 3" e	10' 8" e	7' 2" e	11' 5" a	8' 7" a	5' 8" a
1400S250-68	33	17' 2" e	14' 10" e	12' 2" e	17' 2" a	14' 1" a	10' 5" a	17' 2" e	14' 10" e	12' 2" e	17' 2" a	14' 1" a	10' 5" a
1400S250-68	50	19' 6" e	16' 10" e	13' 9" e	18' 8" i	15' 1" a	11' 0" a	19' 6" e	16' 10" e	13' 9" e	18' 8" i	15' 1" a	11' 0" a
1400S250-97	33	22' 1" e	19' 1" e	15' 7" e	22' 1" i	19' 1" a	15' 7" a	22' 1" e	19' 1" e	15' 7" e	22' 1" i	19' 1" a	15' 7" a
1400S250-97	50	25' 3" e	21' 11" e	17' 10" e	25' 3" i	21' 11" i	17' 10" i	23' 6" e	21' 4" e	17' 10" e	25' 3" i	21' 11" i	17' 10" i
1400S250-118	50	27' 6" e	25' 0" e	20' 7" e	29' 2" i	25' 3" i	20' 7" i	25' 0" e	22' 9" e	19' 10" e	28' 1" i	25' 3" i	20' 7" i
1400S300-54	50	14' 3" e	10' 8" e	7' 2" e	11' 5" a	8' 7" a	5' 8" a	14' 3" e	10' 8" e	7' 2" e	11' 5" a	8' 7" a	5' 8" a
1400S300-68	50	19' 11" e	17' 3" e	14' 1" e	18' 10" i	15' 2" a	11' 1" a	19' 11" e	17' 3" e	14' 1" e	18' 10" i	15' 2" a	11' 1" a
1400S300-97	50	25' 10" 2	2' 5" e	18' 3" e	25' 10" i	22' 5" i	18' 3" i	24' 3" e	22' 0" e	8' 3" e	25' 10" i	22' 5" i	18' 3" i
1400S300-118	50	28' 5" e	25' 10" e	21' 1" e	29' 10" i	25' 10" i	21' 1" i	25' 10" e	23' 6" e	20' 6" e	29' 0" i	25' 10" i	21' 1" i
1400S350-54	50	14' 3" e	10' 8" e	7' 2" e	10' 11" a	8' 4" a	5' 8" a	14' 3" e	10' 8" e	7' 2" e	10' 11" a	8' 4" a	5' 8" a
1400S350-68	50	22' 3" e	19' 3" e	14' 4" e	18' 5" i	14' 9" a	10' 7" a	22' 3" e	19' 3" e	14' 4" e	18' 5" i	14' 9" a	10' 7" a
1400S350-97	50	28' 0" e	24' 8" e	20' 2" e	28' 6" i	24' 8" i	20' 0" a	25' 5" e	23' 1" e	20' 2" e	28' 6" i	24' 8" i	20' 0" a
1400S350-118	50	29' 9" e	27' 0" e	23' 7" e	33' 5" i	29' 3" i	23' 11" i	27' 0" e	24' 7" e	21' 5" e	30' 4" i	27' 7" i	23' 11" i
1600S200-68	50	19' 9" e	17' 1" e	12' 6" e	16' 7" a	13' 2" a	9' 4" a	19' 9" e	17' 1" e	12' 6" e	16' 7" a	13' 2" a	9' 4" a
1600S200-97	50	25' 10" e	22' 4" e	18' 3" e	25' 10" i	22' 4" i	17' 8" i	25' 2" e	22' 4" e	18' 3" e	25' 10" i	22' 4" i	17' 8" i
1600S200-118	50	29' 8" e	25' 11" e	21' 2" e	29' 11" i	25' 11" i	21' 2" i	27' 1" e	24' 7" e	21' 2" e	29' 11" i	25' 11" i	21' 2" i
1600S250-68	50	20' 7" e	17' 10" e	12' 6" e	16' 7" a	13' 3" a	9' 4" a	20' 7" e	17' 10" e	12' 6" e	16' 7" a	13' 3" a	9' 4" a
1600S250-97	50	26' 10" e	23' 3" e	19' 0" e	26' 10" i	23' 2" i	18' 2" i	26' 1" e	23' 3" e	19' 0" e	26' 10" i	23' 2" i	18' 2" i
1600S250-118	50	30' 8" e	27' 0" e	22' 0" e	31' 2" i	27' 0" i	22' 0" i	28' 0" e	25' 5" e	22' 0" e	31' 2" i	27' 0" i	22' 0" i
1600S300-68	50	21' 2" e	18' 4" e	12' 6" e	16' 9" a	13' 4" a	9' 5" a	21' 2" e	18' 4" e	12' 6" e	16' 9" a	13' 4" a	9' 5" a
1600S300-97	50	27' 7" e	23' 11" e	19' 6" e	27' 7" i	23' 9" i	18' 7" a	26' 11" e	23' 11" e	19' 6" e	27' 7" i	23' 9" i	18' 7" a
1600S300-118	50	31' 8" e	27' 8" e	22' 7" e	32' 0" i	27' 8" i	22' 7" i	28' 10" e	26' 2" e	22' 7" e	32' 0" i	27' 8" i	22' 7" i
1600S350-68	50	23' 8" e	18' 9" e	12' 6" e	17' 6" a	13' 9" a	9' 7" a	23' 8" e	18' 9" e	12' 6" e	17' 6" a	13' 9" a	9' 7" a
1600S350-97	50	30' 6" e	26' 5" e	21' 7" e	29' 7" i	25' 0" i	19' 6" a	28' 2" e	25' 6" e	21' 7" e	29' 7" i	25' 0" i	19' 6" a
1600S350-118	50	33' 1" e	30' 0" e	24' 10" e	35' 1" i	30' 5" i	24' 8" i	30' 1" e	27' 4" e	23' 10" e	33' 9" i	30' 5" i	24' 8" i

See notes located on page 2

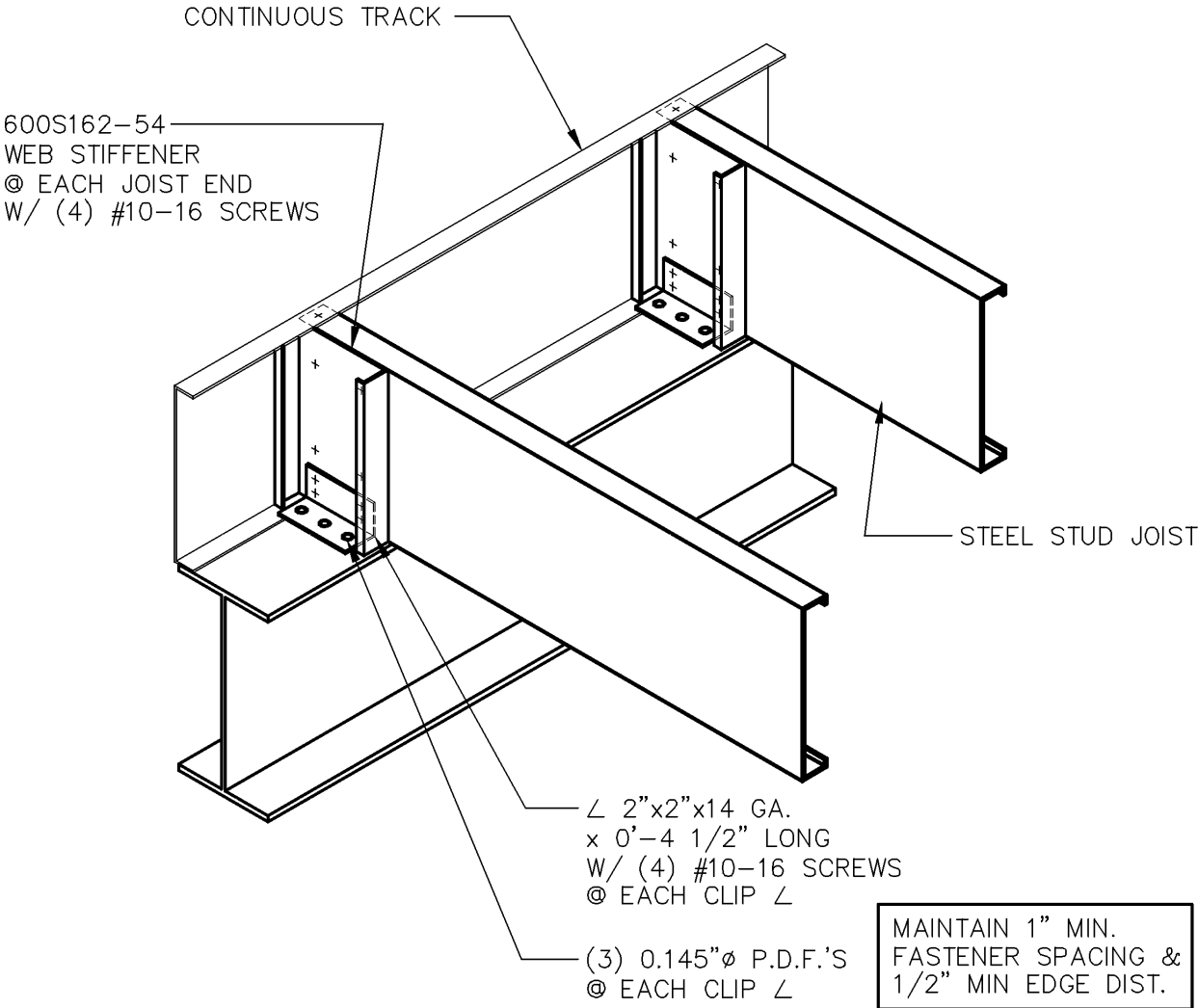
KICKER CONNECTION AT STEEL JOIST (PERPENDICULAR)



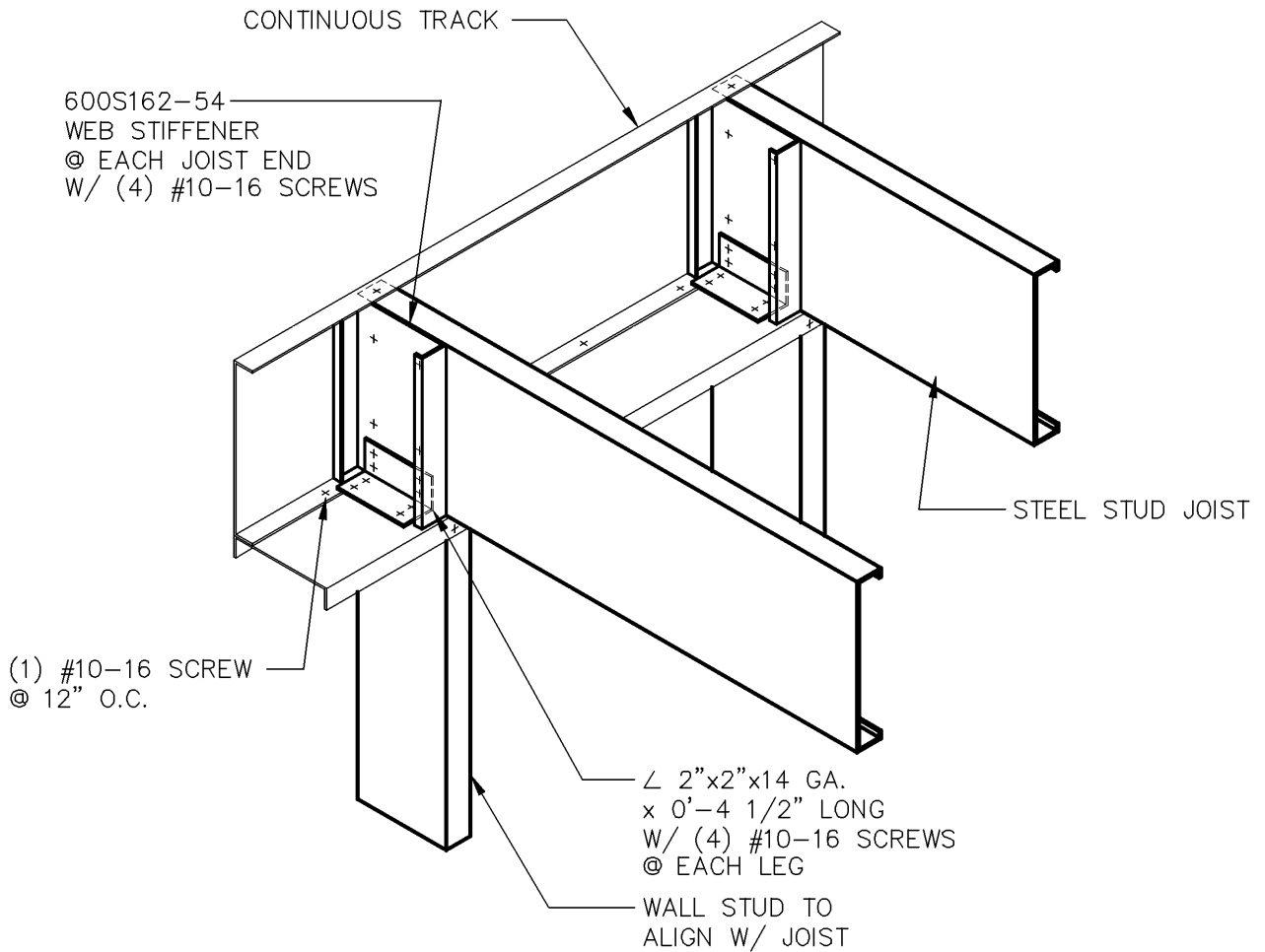
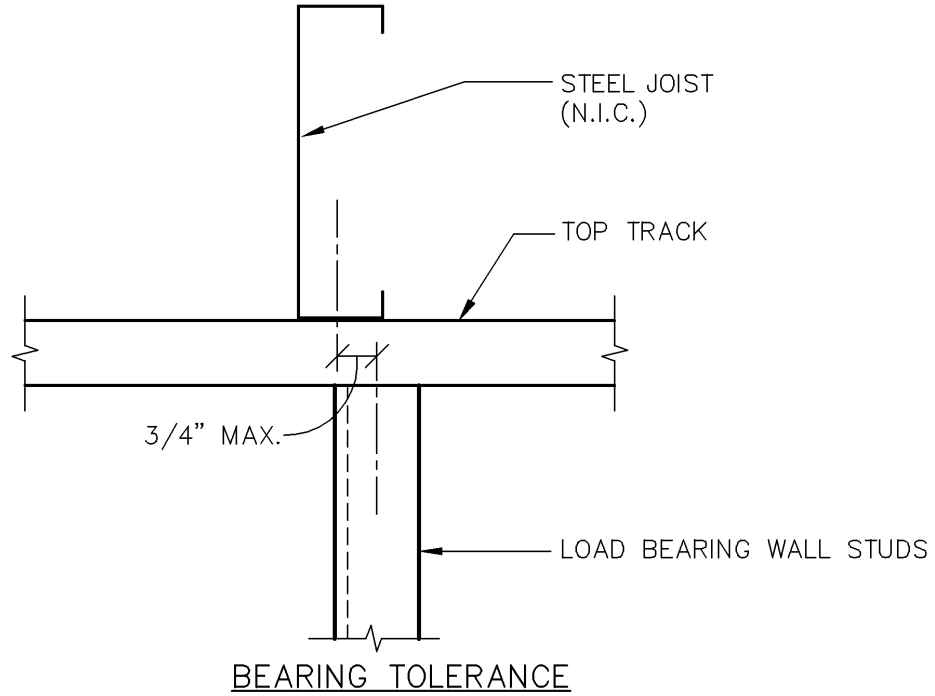
JOIST BEARING DETAIL (CONCRETE)



JOIST BEARING DETAIL (STEEL)



JOIST BEARING DETAIL (STUD WALL)

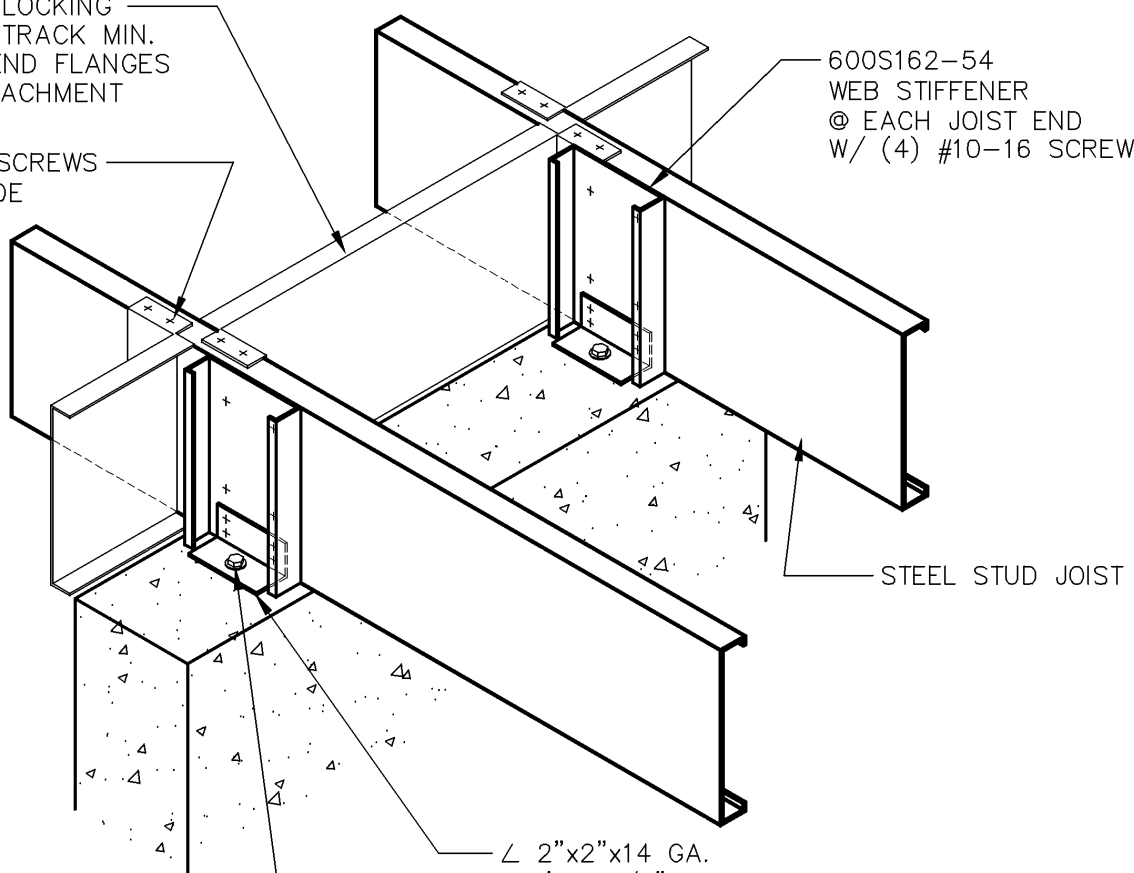


JOIST BEARING DETAIL (CONCRETE)

FOR SOLID BLOCKING
USE 16 GA. TRACK MIN.
NOTCH & BEND FLANGES
90° FOR ATTACHMENT
TO JOIST

(4) #10-16 SCREWS
(2) EACH SIDE
(TYPICAL)

600S162-54
WEB STIFFENER
@ EACH JOIST END
W/ (4) #10-16 SCREWS



∟ 2"x2"x14 GA.
x 0'-4 1/2" LONG
W/ (4) #10-16 SCREWS
@ CLIP ∟ TO JOIST

(1) X"∅ x X" EMBED.
SCREW ANCHOR
@ EACH SLIDE CLIP
3" MIN. EDGE DISTANCE

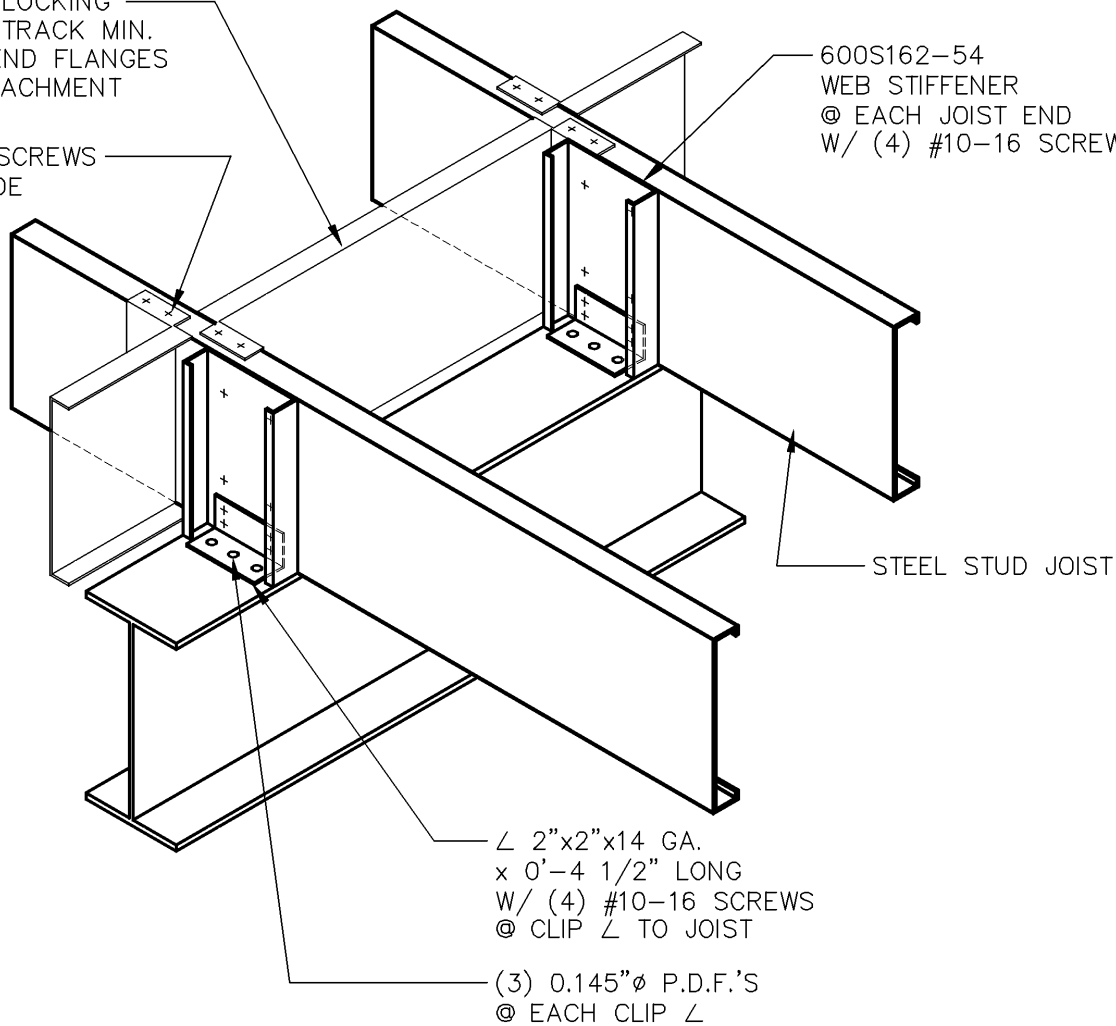
STEEL STUD JOIST

JOIST BEARING DETAIL (STEEL)

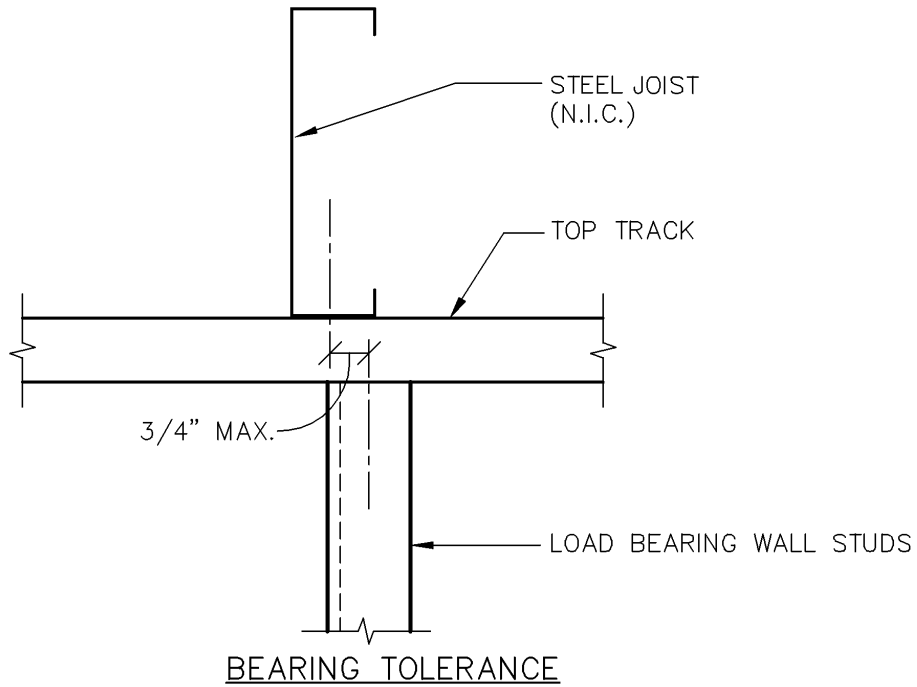
FOR SOLID BLOCKING
USE 16 GA. TRACK MIN.
NOTCH & BEND FLANGES
90° FOR ATTACHMENT
TO JOIST

(4) #10-16 SCREWS
(2) EACH SIDE
(TYPICAL)

600S162-54
WEB STIFFENER
© EACH JOIST END
W/ (4) #10-16 SCREWS



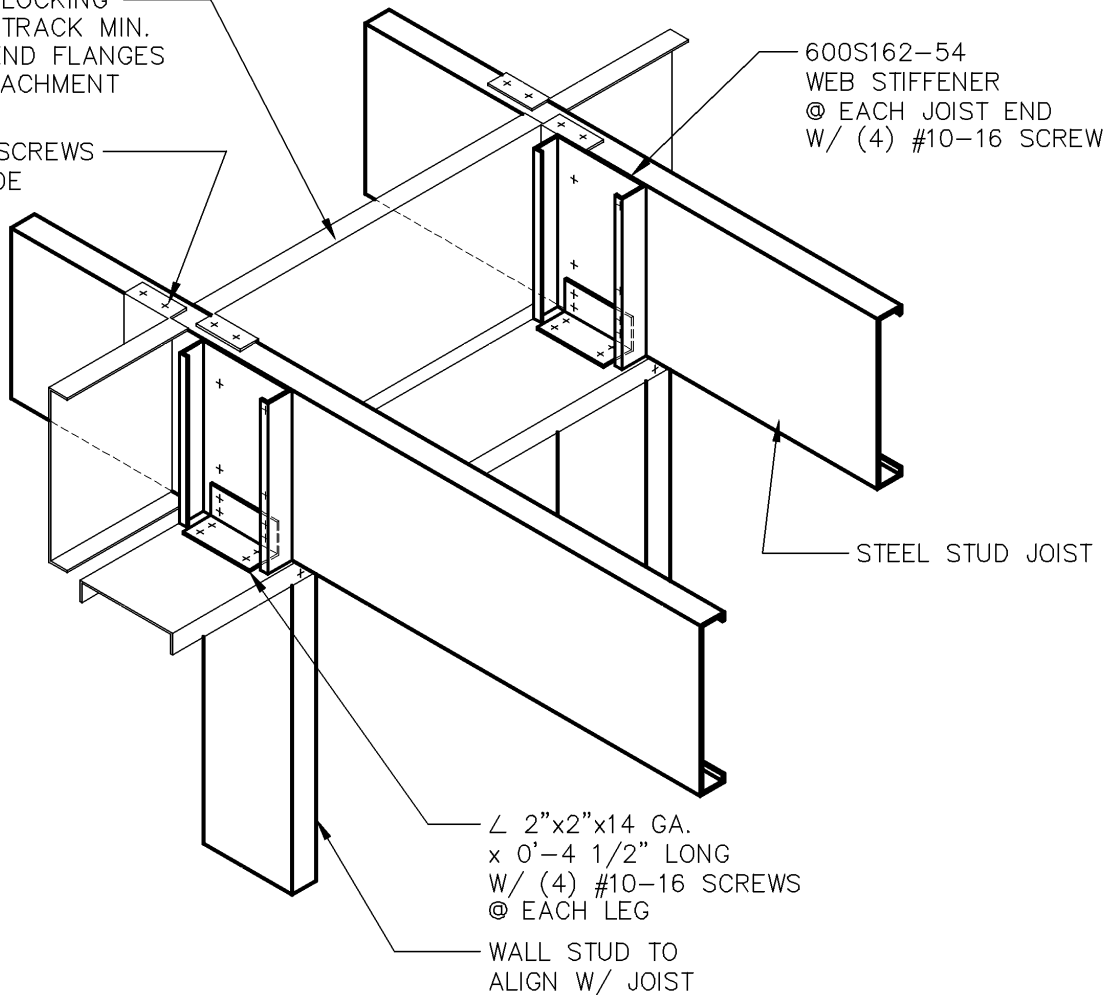
JOIST BEARING DETAIL (STUD WALL)



FOR SOLID BLOCKING
USE 16 GA. TRACK MIN.
NOTCH & BEND FLANGES
90° FOR ATTACHMENT
TO JOIST

(4) #10-16 SCREWS
(2) EACH SIDE
(TYPICAL)

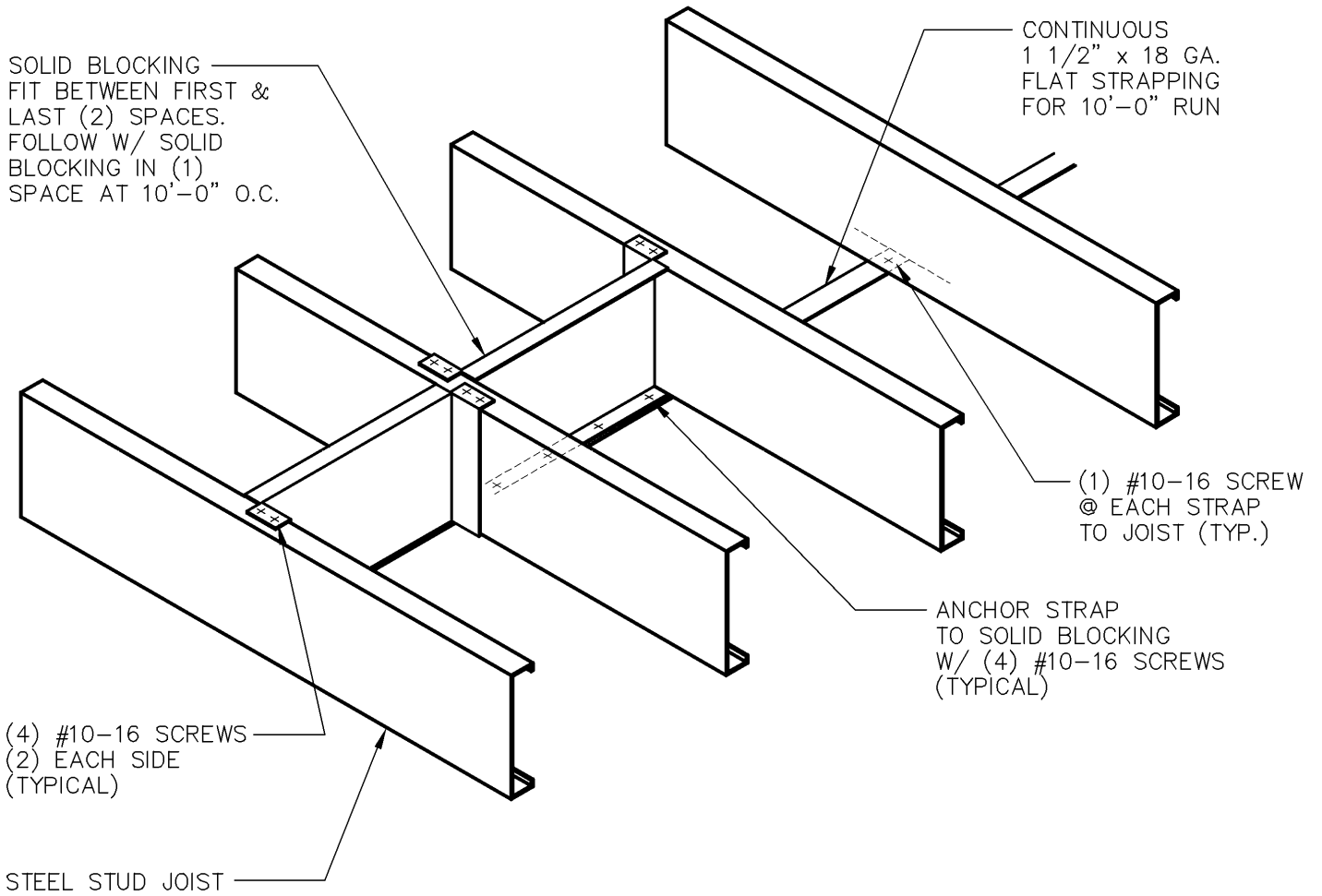
600S162-54
WEB STIFFENER
© EACH JOIST END
W/ (4) #10-16 SCREWS



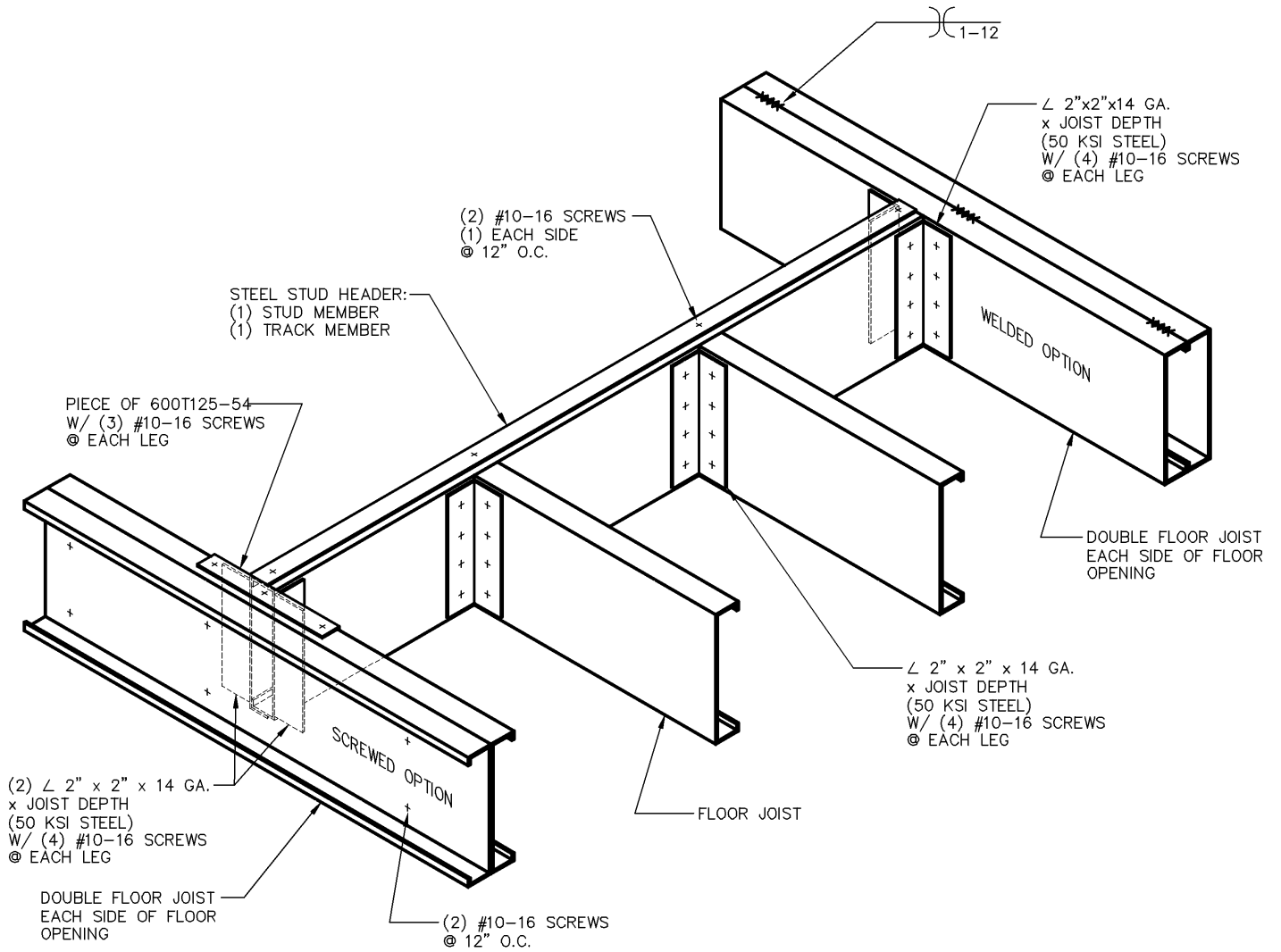
JOIST BRIDGE DETAIL

NOTE:
FOR SOLID BLOCKING
USE 16 GA. TRACK MIN.
NOTCH & BEND FLANGES
90° FOR ATTACHMENT
TO JOIST

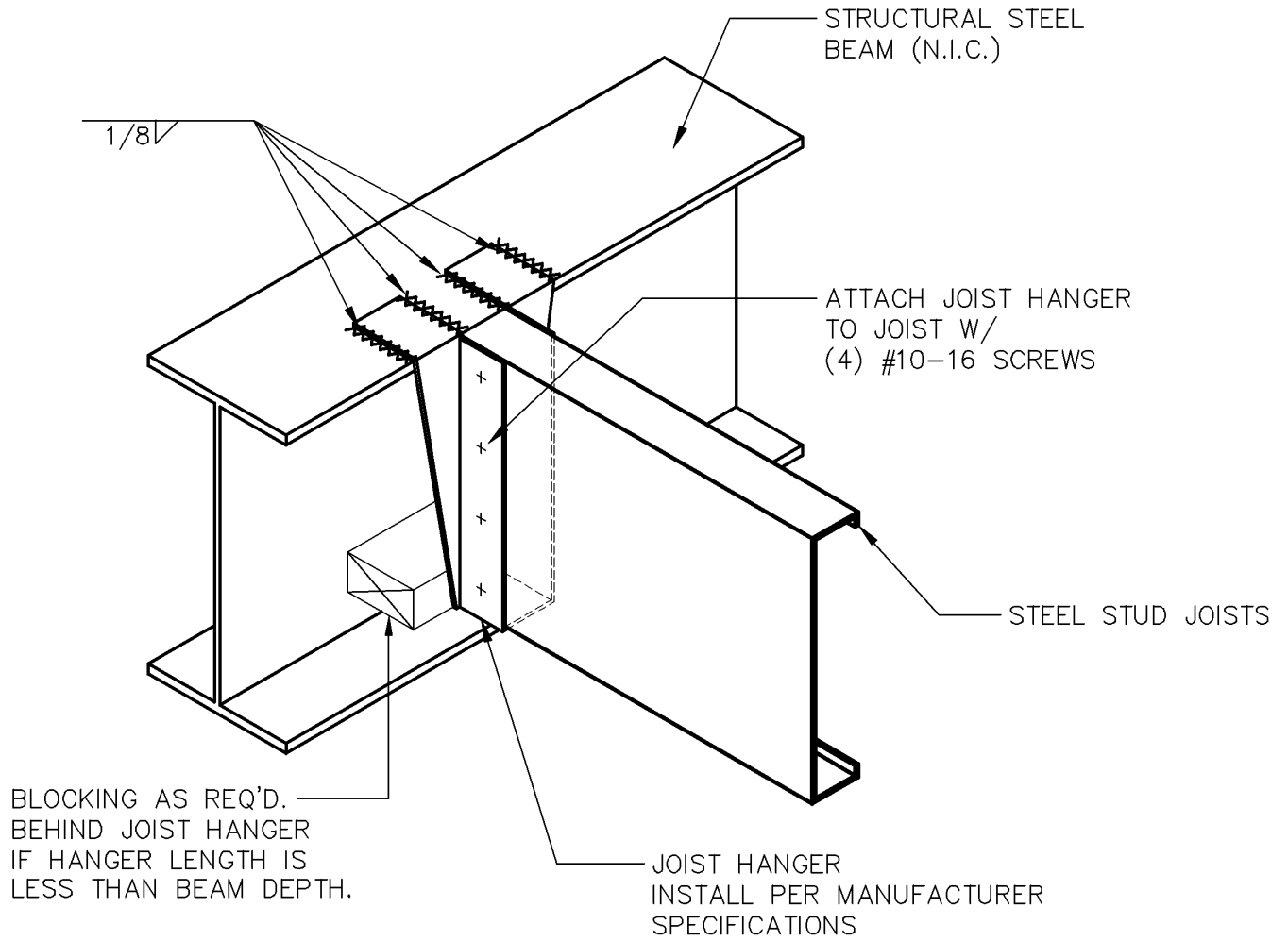
NOTE:
IF SHEATHING IS NOT INSTALLED
ON MEMBERS, STRAPPING IS
REQ'D. ON BOTH FLANGES



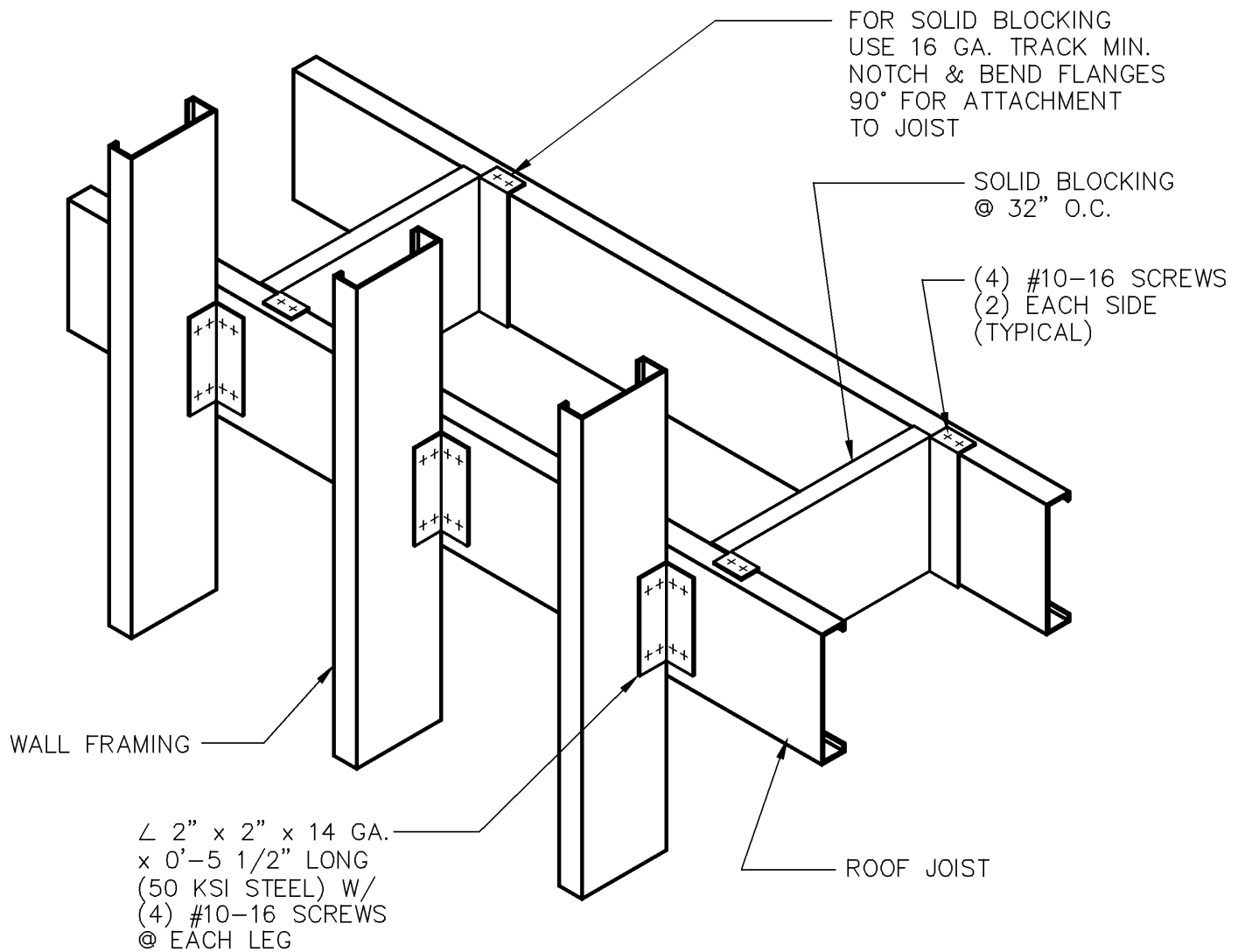
FLOOR JOIST OPENING DETAIL



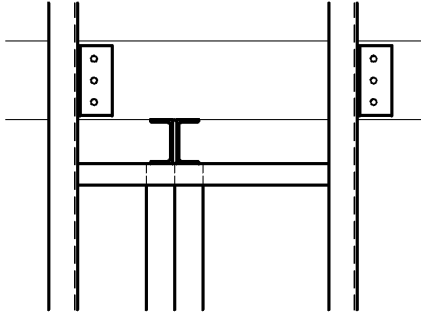
JOIST HANGER DETAILS



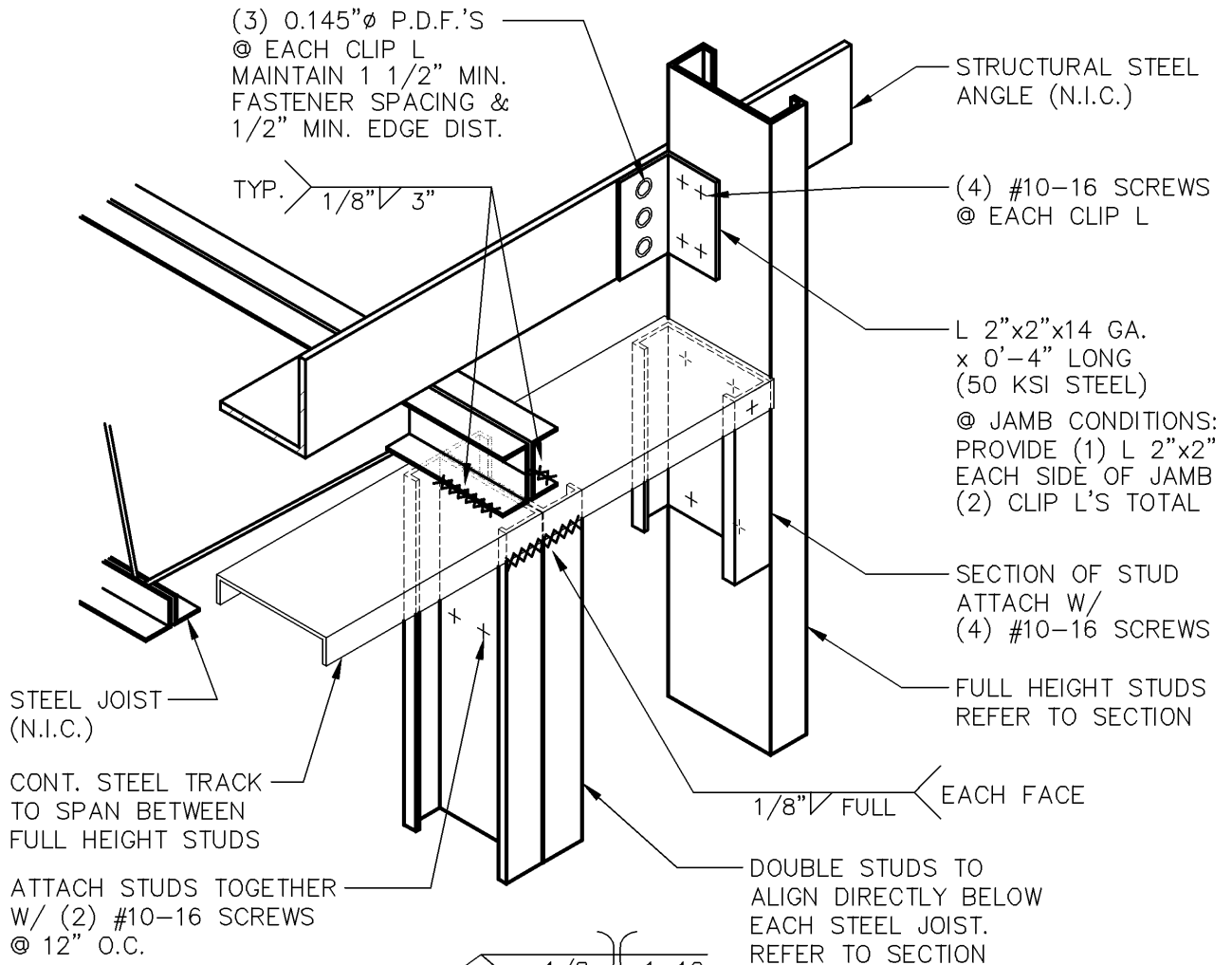
JOIST - WALL FRAMING DETAIL



JOIST BEARING DETAIL



ELEVATION



ALTERNATE DOUBLE
 STUD ATTACHMENT

THE LEADER

TELLING®



BUILDSTRONG™
.com

IN METAL FRAMING INNOVATION

Updated 2-11-21

CORPORATE

HEADQUARTERS

4420 Sherwin Road
Willoughby, OH 44094

Phone: 440-974-3370

Fax: 440-974-3408

Toll Free: 866-372-6384

CAMBRIDGE PLANT

2105 Larrick Road
Cambridge, OH 43725

Phone: 740-435-8900

Fax: 740-435-8915

Toll Free: 866-35STUDS

OSCEOLA PLANT

1400 Southwire Drive
Osceola, AR 72370

Phone: 870-563-6065

Fax: 870-563-2471

Toll Free: 888-711-3124

WINDSOR PLANT

1050 Kennedy Road
Windsor, CT 06095

Phone: 860-731-7975

Fax: None

Toll Free: 866-372-6384