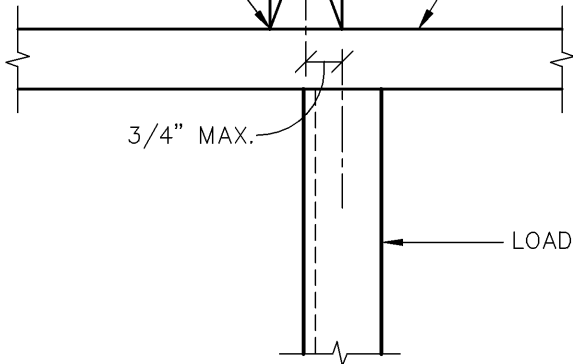


TRUSS TO WALL
CONNECTION
BY ROOF TRUSS MFG.

TRUSS BOTTOM CHORD,
(N.I.C.)

TOP TRACK



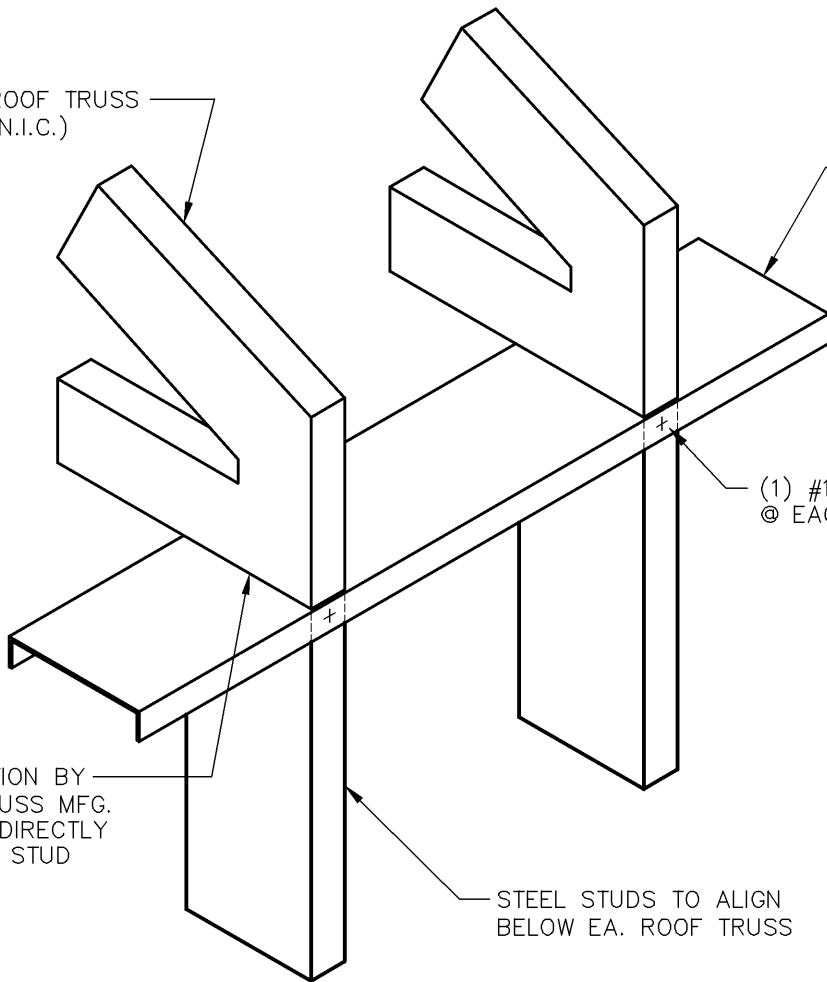
3/4" MAX.

LOAD BEARING WALL STUDS

BEARING TOLERANCE

ROOF TRUSS
(N.I.C.)

CONTINUOUS TOP
TRACK.

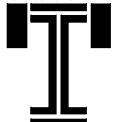


(1) #10-16 SCREW
© EACH FLANGE

CONNECTION BY
ROOF TRUSS MFG.
ATTACH DIRECTLY
TO WALL STUD

STEEL STUDS TO ALIGN
BELOW EA. ROOF TRUSS

TELLING™



BUILDSTRONG

6272 CENTER STREET
MENTOR, OHIO 44060
PHONE: 440-974-3370

DETAIL IS FOR
REFERENCE ONLY.
NOT FOR CONSTRUCTION.

DETAIL PROVIDED BY:



100 CAMELOT DRIVE
FOND DU LAC, WI 54935
PHONE: (920) 926-9800

TRUSS BEARING DETAIL