



RESILIENT CHANNEL ACCOUSTICAL AND INSTALLATION INFORMATION

RiverbankAcoustical
LABORATORIES

**ACOUSTIC PERFORMANCE SUPREME
TESTING ASSEMBLIES (ASTM E 90)**

All acoustical data was independently tested by Riverbank Acoustical Laboratories utilizing the Supreme Framing System and RC-1. Riverbank Acoustical is a nationally recognized company accredited by the National Institute of Standards and Technology (NIST) through the National Voluntary Laboratory Accreditation Program (NVLAP).

Partition Specifications

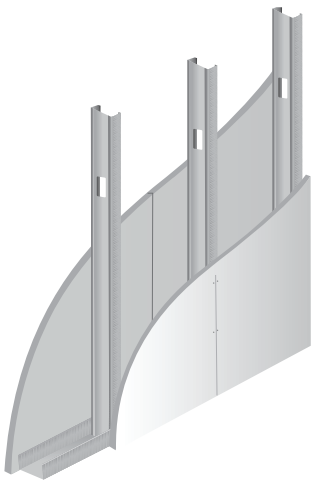
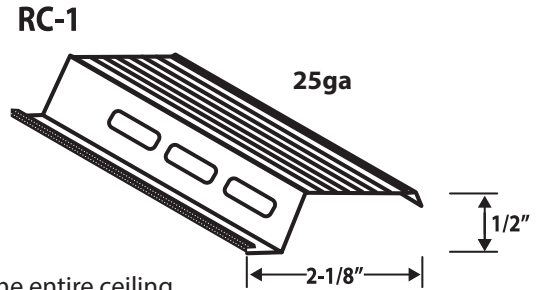
Partition Type	Side A	Side B	Gypsum Type	Insulation Type	Stud Spacing	STC Rating
1	1 layer	1 layer	5/8" Type X	-	24" oc	38
2	1 layer	1 layer	5/8" Type X	R-11 insulated	24" oc	47
3	1 layer	1 layer on RC-1	5/8" Type X	R-11 insulated	24" oc	52
4	2 layers	2 layers on RC-1	5/8" Type X	R-11 insulated	24" oc	61

Typical RC-1 Installation Instructions for Walls

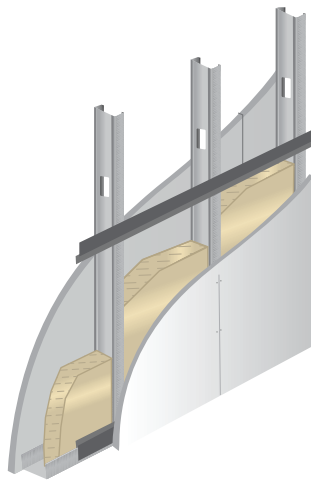
- Bottom RC-1 installed with mounting leg turned up, spaced 2" up from top track leg.
- Top RC-1 installed with mounting leg turned down, spaced 6" down from track leg.
- Middle RC-1 installed with mounting leg turned down, spaced 24" apart.
- Please reference Gypsum Association's GA-216 guidelines.

Typical RC-1 Installation Instructions for Ceilings

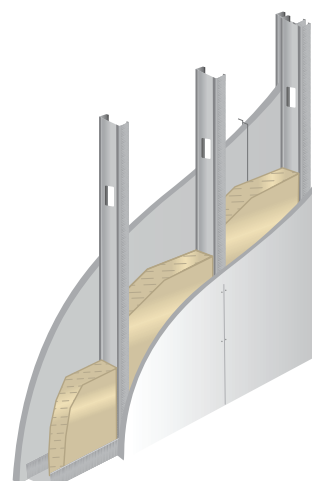
- When RC-1 is installed on a ceiling, it should be installed perpendicular to the joists.
- RC-1 should be installed on ceilings with the open side facing the same direction across the entire ceiling.
- RC-1 on ceilings should be installed with maximum of 6" spacing out from a wall.
- 16" OC joist spacing use 24" RC-1 spacing. 24" OC joist spacing use 16" RC-1 spacing.
- RC-1 can be overlapped at a support location with a minimum of 4" overlap.
- No more than two 5/8" gypsum boards should be fastened to an RC-1 channel with a maximum load of 5 lbs per SF.
- RC-1 should be installed so that the hole in the RC-1 leg is aligned with the stud.



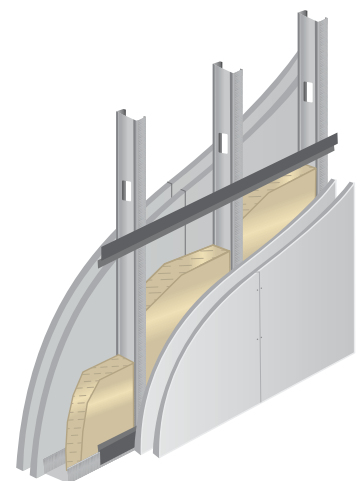
Partition Type 1
38 STC
3 5/8" Stud



Partition Type 3
52 STC
3 5/8" Stud



Partition Type 2
47 STC
3 5/8" Stud



Partition Type 4
61 STC
3 5/8" Stud



INNOVATION, SERVICE, QUALITY

www.BuildStrong.com • 1-866-372-6384

