



SLOTTED TRACK



WHAT IS TRUE-ACTION™ SLOTTED TRACK - HEAD OF WALL DEFLECTION SYSTEM?

True-Action™ Slotted Track is the industry preferred system for achieving head-of-wall deflection and fire resistance for interior and exterior walls. It meets movement and cycling requirements for ANSI/UL 2079 and is UL Classified for 1, 2, 3, and 4 hour fire-resistant ratings in head-of-wall fire-rated joint systems.

BENEFITS

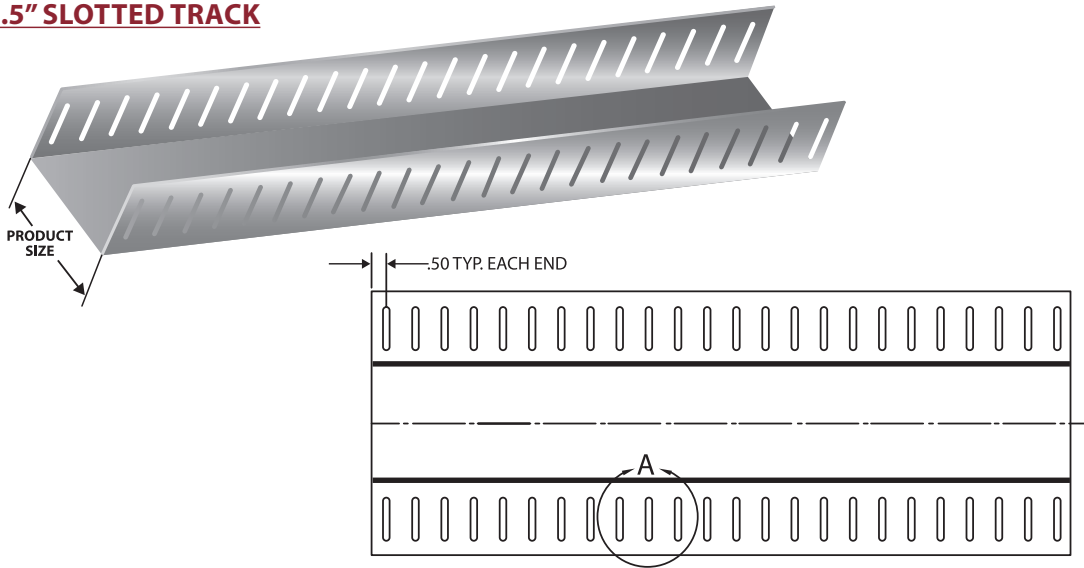
- Fire-rated deflection system
- UL Classified in over 80 approved fire-rated systems
- Standard Slotted Track allows vertical movement
- Custom web, leg and lengths are available (Custom slot sizes are not available)
- Positive attachment provided for wall strength
- Absorbs head-of-wall and floor extension or compression movement
- Integrated with traditional wall systems
- Easy installation reduces labor costs

SEE THE VIDEO



Telling Slotted Track is listed in many gypsum based UL Wall Designs utilizing 0.030" material or thicker for Studs with a web ranging from 2.5" to 8.0".

2.5" SLOTTED TRACK

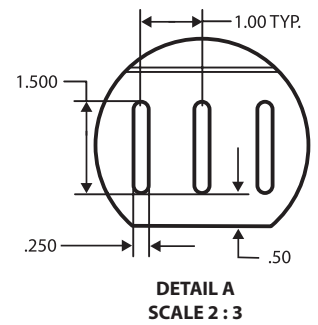


PRODUCT SIZES:

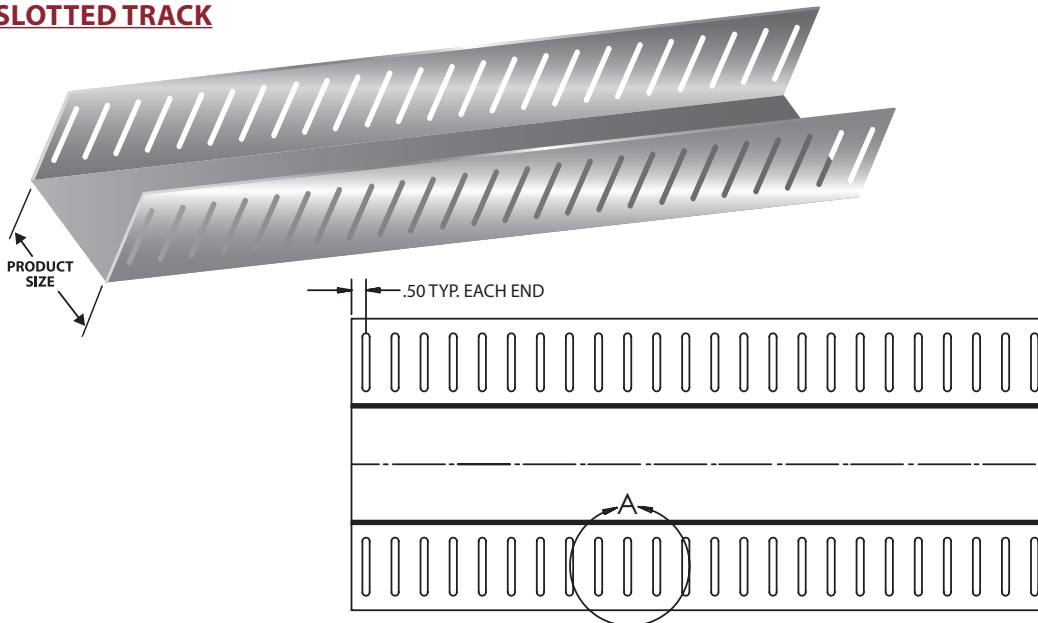
MAX WEB: 8"
FLANGE: 2.5"

MATERIAL GAUGES:

.030" MINIMUM
.071" MAXIMUM



3" SLOTTED TRACK

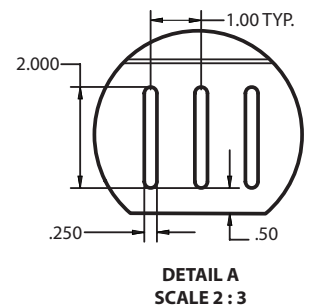


PRODUCT SIZES:

MAX WEB: 8"
FLANGE: 3"

MATERIAL GAUGES:

.030" MINIMUM
.054" MAXIMUM



INNOVATION, SERVICE, QUALITY

www.BuildStrong.com • 1-866-372-6384

