

THE LEADER IN METAL FRAMING INNOVATION

INNOVATIVE, RESPONSIVE SOLUTIONS FOR ALL YOUR METAL FRAMING NEEDS



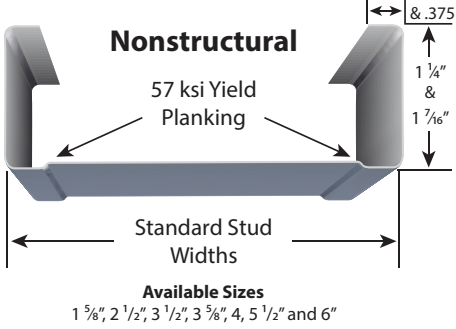
TELLING INDUSTRIES

www.BuildStrong.com | 866-372-6384

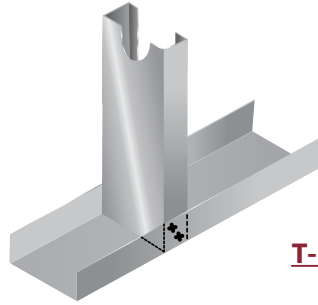


OVER 1,000,000+ UNIQUE PRODUCT SKU'S & 150+ UNIQUE ROLL FROM PROFILES

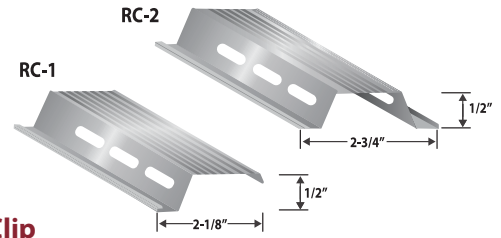
Supreme EQ Stud & Track



Structural Studs

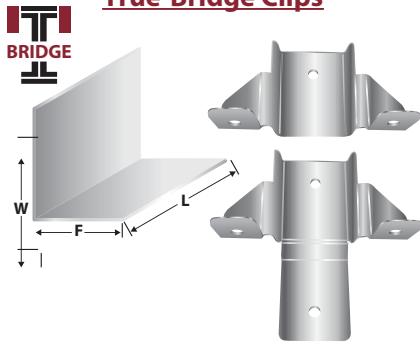


(RC) Resilient Furring Channel

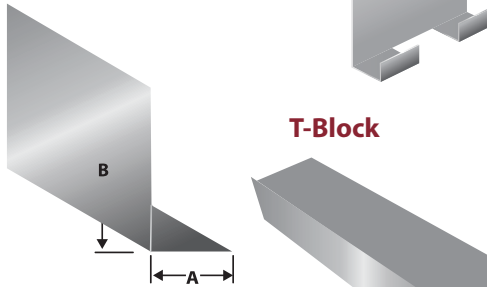


(CA) Clip Angles | Utility Angle

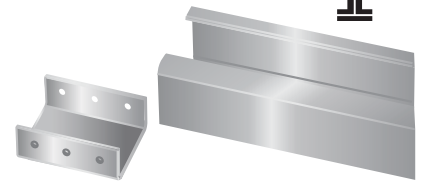
True-Bridge Clips



(RA) Rolled Angles



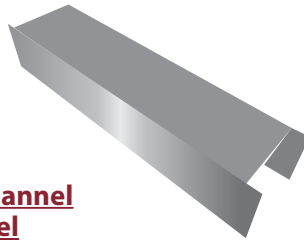
Titan Header



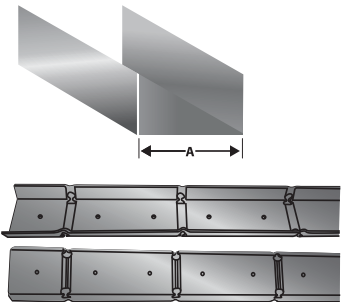
T-Back Clip



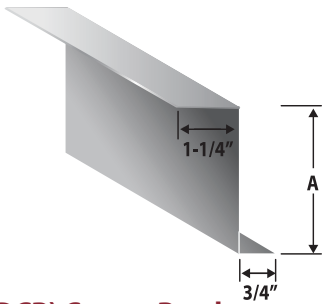
T-Block



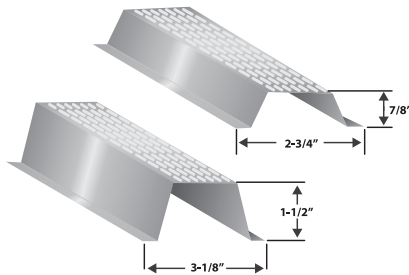
(CRC) Cold-Rolled Channel



(ZFC) Z-Furring Channel



(DWFC) Drywall Furring Channel Also Called Hat Channel

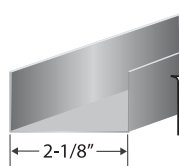


(DCB) Corner Bead

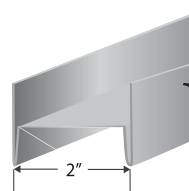


Area Separation Wall

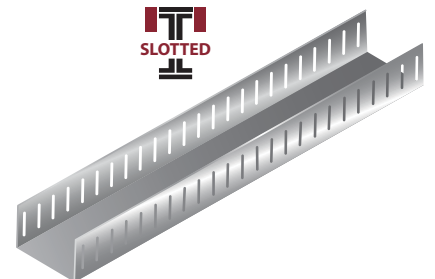
C-Track, Cap, Edge or End Closure



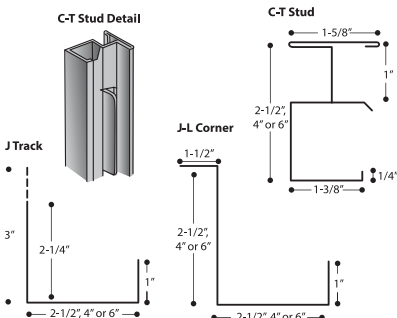
H-Stud, 25-Gaug



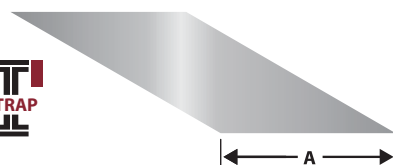
Slotted Track



Shaftwall Products

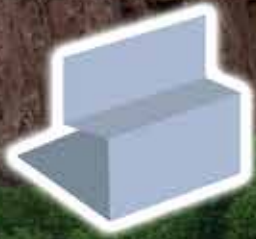


(FS) Flat Strapping



VERSADRY DRYWALL TRACK





VERSADRY DRYWALL TRACK

VersaDry protects walls from water damage with its 2" shelf that lifts drywall off the floor.

**KEEPS
DRYWALL DRY**

**IMPROVES
ACCOUSTICAL
PERFORMANCE**

**ALLOWS STANDARD
DRYWALL SIZES TO RISE
2" ABOVE CEILINGS**

**HELPS REDUCE
MOLD GROWTH**

**IMPROVES FIRE
RESISTANCE**

**DESIGN YOUR BUILDING
TO PERFORM!**



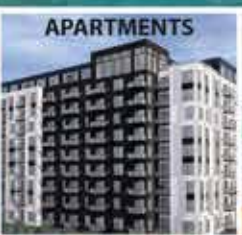
**NO
CAULK NEEDED
SAVES \$\$\$**



HOSPITALS



SCHOOLS



APARTMENTS



KITCHENS



POTENTIAL WET ENVIRONMENTS



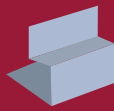
HOSPITALITY



INNOVATION, SERVICE, QUALITY

www.BuildStrong.com • 1-866-372-6384





VERSADRY
DRYWALL TRACK

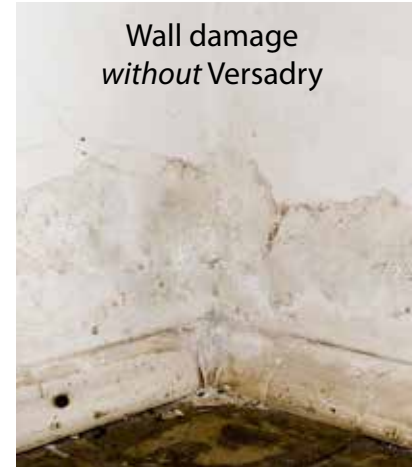
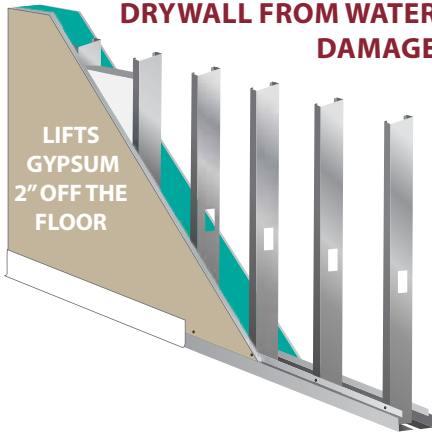


NON STRUCTURAL

VERSADRY TRACK PROTECTS DRYWALL FROM WATER DAMAGE

VERSADRY DRYWALL TRACK SYSTEM

Patented system allows the installation of drywall to sit 2 inches off the floor on a steel shelf. This shelf mitigates the wicking of water both during construction and the life of the building.



VERSADRY TRACK: 2 PIECE DESIGN (Ideal for retrofits)

Thickness Nomenclature	Non-Rate Length	1 Hour Rated	2 Hour Rated	Min Base Metal Thickness (in)	Design Thickness (in)	Min Yield Strength (ksi)	Standard Galvanization	Web Sizes (in)
VDT2-18	24'	10'	10'	0.0179"	0.0186"	33 ksi	G40	2 piece design. Any web size is possible
VDT2-30	12'	N/A	N/A	0.0296"	0.0312"			

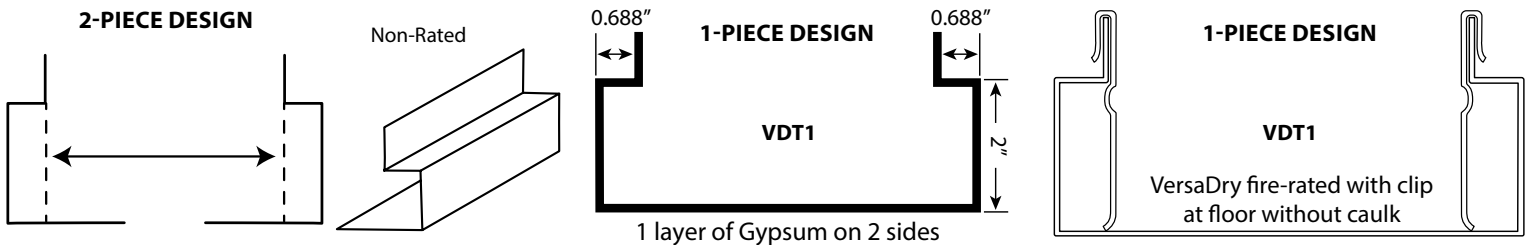
VERSADRY TRACK: 1 PIECE DESIGN (Ideal for new construction)

Thickness Nomenclature	Non-Rate Length	1 Hour Rated + Clip	2 Hour Rated + Clip	Min Base Metal Thickness (in)	Design Thickness (in)	Min Yield Strength (ksi)	Standard Galvanization	Web Sizes (in)
VDT1-18	Max 24'	Max 24' Length (10' Recommended)		0.0179"	0.0186"	33 ksi	G40	3-5/8", 4", 5.5", 6"
VDT1-30				0.0296"	0.0312"			

VERSADRY DIMENSIONS

	Gypsum Ledge Height	Gypsum Ledge Width
Non-Rated	2.00"	0.688"
1 Hour Fire Rated	2.00"	0.688"
2 Hour Fire Rated	2.00"	1.295"

- KEEPS GYPSUM DRY
- IMPROVED FIRE RESISTANCE WITHOUT CAULK
- IMPROVED ACOUSTICAL PERFORMANCE
- PROTECTS WALLS FROM BASEBOARD DAMAGE
- HELPS REDUCE MOLD GROWTH
- ALLOWS



VERSADRY TRACK CERTIFICATIONS:

FIRE RESISTANCE: 3rd party tested to meet a 1 hour & 2 hour Fire Rating for UL Wall Design U423 per ASTM E119



- 1 hour Fire Rating for UL Wall Design U423 per ASTM E119 with 18mil VersaDry Track, 1 layer of 5/8" Type X Gypsum, & 20ga 3-5/8" studs spaced 16" OC.
- 2 hour Fire Rating for UL Wall Design U423 per ASTM E119 with 18mil VersaDry Track, 2 layers of 5/8" Type X Gypsum, & 20ga 3-5/8" studs spaced 16" OC.
- VersaDry 1 piece design with clip at floor & ceiling passed ASTM E119 1-hour and 2-hour fire and hose stream test without caulk at Intertek certified independent 3rd party test lab.

ACOUSTICAL PERFORMANCE: 3rd part tested per ASTM E90-09 and calculated per ASTM E413-16.

- STC = 45 for Non-Fire Rated 18mil VersaDry Track w/ 1 layer of 5/8" Type X Gypsum
- STC = 48 for Non-Fire Rated 18mil VersaDry Track w/ 1 layer of Impact Resistant Gypsum
- STC = 46 for 1 hour Fire Rated 18mil VersaDry Track w/ 1 layer of Impact Resistant Gypsum
- STC = 53 for 2 hour Fire Rated 18mil VersaDry Track w/ 2 layers of 5/8" Type X Gypsum



INNOVATION, SERVICE, QUALITY

www.BuildStrong.com • 1-866-372-6384





TRC - TELLING RIGID CLIPS



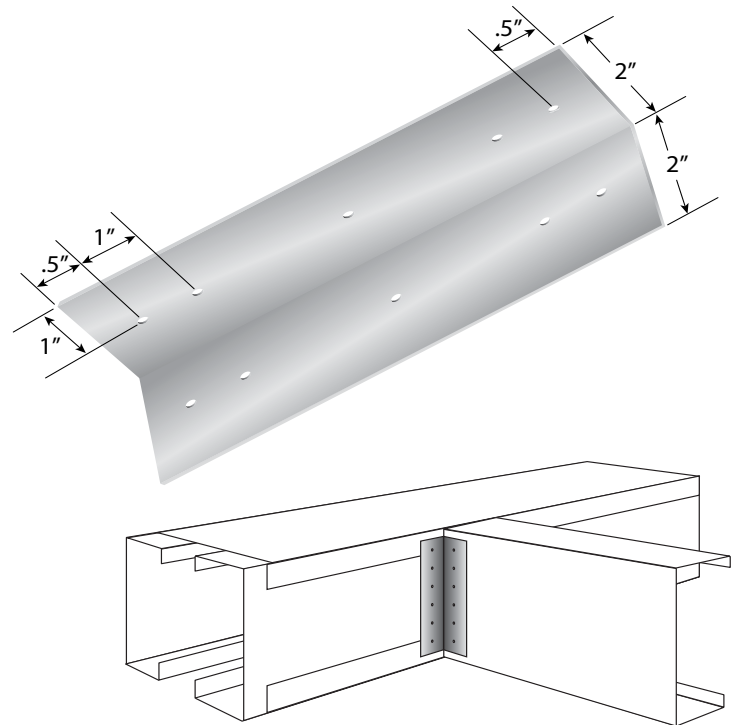
CLIPS

Telling Industries manufactures an extensive line of Metal Framing Connectors and Clips. Standard gauges and sizes are complimented with specialized and custom fabricated Clips to meet all your Metal Framing needs and available in standard G60 and optional G90 coatings. All Telling products, including Metal Framing Connectors, are proudly made in the USA.

TRC A SERIES RIGID RIGHT ANGLE CLIPS

Predominately Used to Attach Metal Framing to Metal Framing

Section	Clip Thickness	Leg Length (in)	Clip Length (in)	BKT Quantity
TRC223	0.0538" (16ga)	2" x 2"	3.0"	150
	0.0677" (14ga)			
	0.0966" (12ga)			
TRC225	0.0538" (16ga)	2" x 2"	5.0"	120
	0.0677" (14ga)			
	0.0966" (12ga)			
TRC227	0.0538" (16ga)	2" x 2"	7.0"	100
	0.0677" (14ga)			
	0.0966" (12ga)			
TRC229	0.0538" (16ga)	2" x 2"	9.0"	75
	0.0677" (14ga)			
	0.0966" (12ga)			
TRC2211	0.0538" (16ga)	2" x 2"	11.0"	30
	0.0677" (14ga)			
	0.0966" (12ga)			

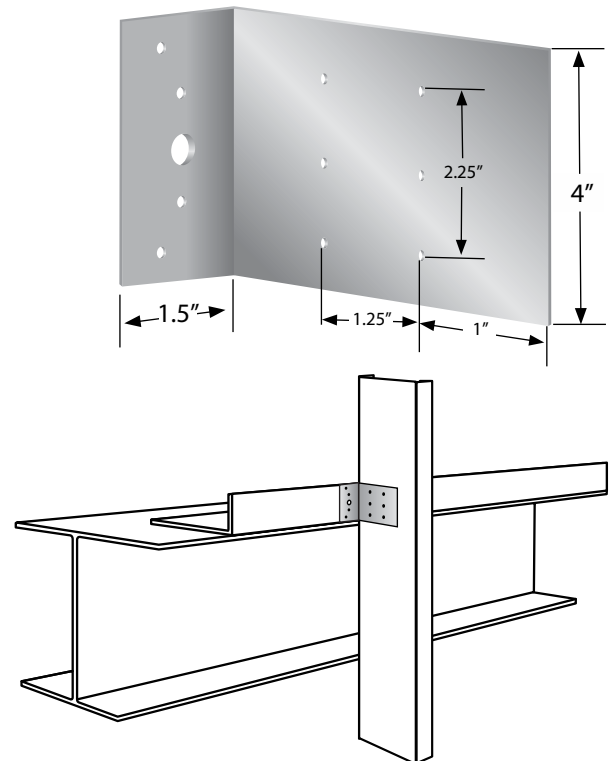


Clip allowable load data is available and 3rd party PE validated.

TRC B SERIES RIGID RIGHT ANGLE CLIPS

Predominately Used to Attach Metal Framing to Red Iron or Concrete
(B for Bolt hole)

Section	Clip Thickness	Leg Length (in)	Clip Length (in)	BKT Quantity
TRC143	0.0538" (16ga)	1.5" x 4"	3.5"	120
	0.0677" (14ga)			
	0.0966" (12ga)			
TRC145	0.0538" (16ga)	1.5" x 4"	5.5"	100
	0.0677" (14ga)			
	0.0966" (12ga)			
TRC147	0.0538" (16ga)	1.5" x 4"	7.5"	100
	0.0677" (14ga)			
	0.0966" (12ga)			
TRC149	0.0538" (16ga)	1.5" x 4"	9.5"	75
	0.0677" (14ga)			
	0.0966" (12ga)			
TRC1411	0.0538" (16ga)	1.5" x 4"	11.5"	30
	0.0677" (14ga)			
	0.0966" (12ga)			



*All Sales are subject to Telling's Terms & Conditions found at www.buildstrong.com. Prices are subject to change without further notice. Please contact your Telling Sales Representative for further inquiries.

**Prices Listed are for each G60 clip when sold in BUCKET quantities. Individual (EA) cost on the clips will be +5% from the bucket price.



INNOVATION, SERVICE, QUALITY

www.BuildStrong.com • 1-866-372-6384

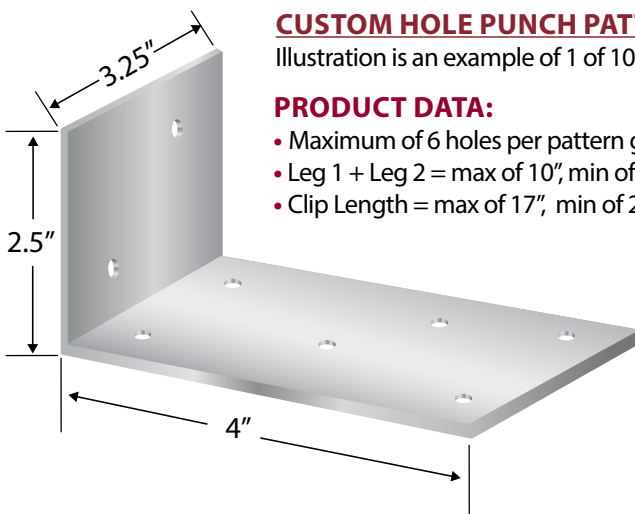


TELLING, THE CUSTOM CLIP EXPERT!

NEED SOMETHING SPECIAL? WE CAN DO IT!



We can drill and bend any darn thing!

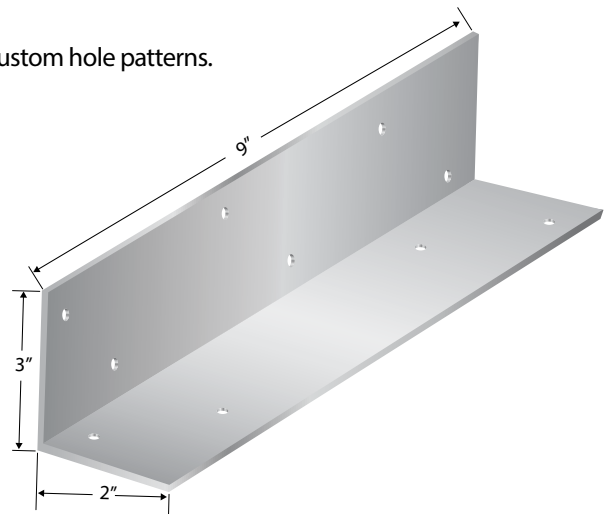


CUSTOM HOLE PUNCH PATTERNS

Illustration is an example of 1 of 1000's of possible custom hole patterns.

PRODUCT DATA:

- Maximum of 6 holes per pattern grouping
- Leg 1 + Leg 2 = max of 10", min of 1.5"
- Clip Length = max of 17", min of 2.0"



If your project needs connectors not shown in this catalog, please contact your inside sales rep or send an inquiry to www.buildstrong.com.

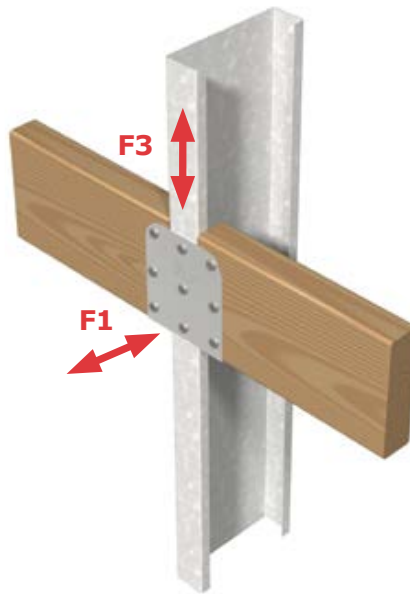
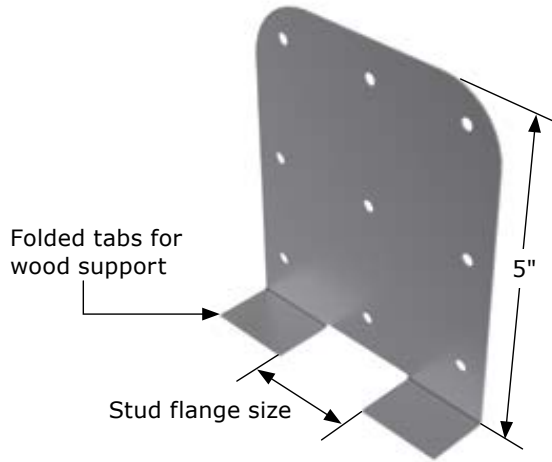


INNOVATION, SERVICE, QUALITY

www.BuildStrong.com • 1-866-372-6384



CURRENT BACKING CLIPS



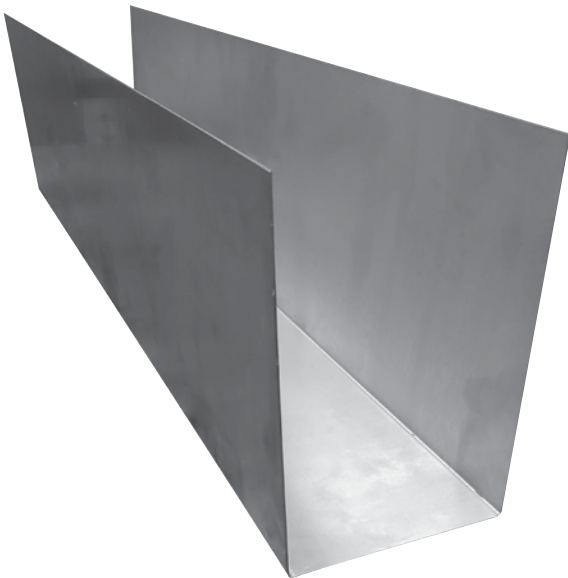
Example of the Kwik-Back used for hanging cupboards.

Manufactured for Telling by Scafco

CUSTOM PRESS BRAKE PARTS:

Telling welcomes challenging part geometries! We are happy to work with all designs and concepts to produce smaller volume customization on our unique and flexible equipment, including:

- Custom Track with the Legs longer than the web such as 3-5/8" web with 6" legs
- Custom Right Angle legs & lengths up to 12'
- Custom Brackets with lengths up to 12'



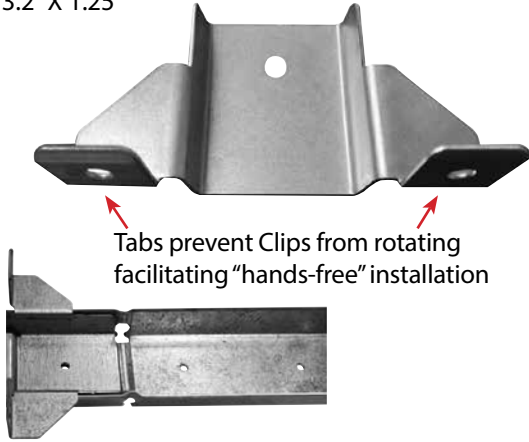
T-Bridge Clips are a highly engineered new product from Telling used with T-Brace **or traditional CRC mechanical bridging**.

Telling's T-Bridge clips were engineered with the installer in mind. The ergonomic design facilitates easy screw drive access and hands free assembly. The patented T-Bridge Clips are made of 18 gauge, premium steel and are available in two functional designs, terminating and joining.

TYPES OF T-BRIDGE CLIPS:

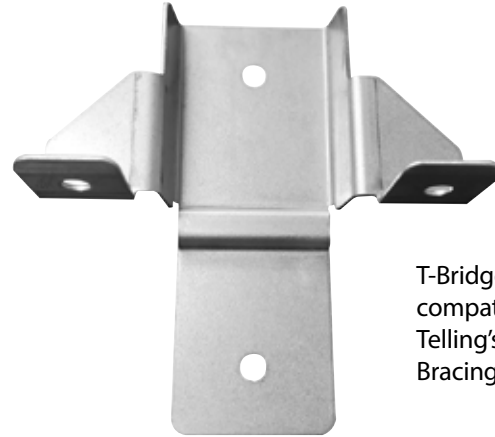
T-BRIDGE CLIP (TERMINATING)

- Used to join T-Brace to a Stud at a corner, doorway, or end of wall
- 1.75" X 3.2" X 1.25"



T-BRIDGE CLIP (JOINING)

- Used to joint T-Brace to T-Brace or CRC to CRC for higher load applications
- 3.5" X 3.2" X 1.25"



T-Bridge clips are compatible with Telling's Standard CRC Bracing & T-Brace.

SEE THE VIDEO



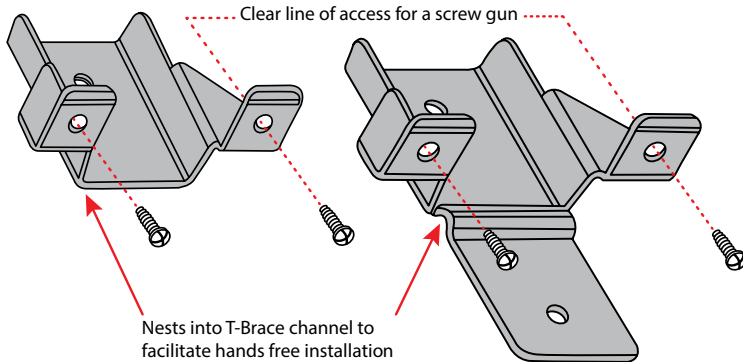
FEATURES:

- Made of Galvanized Steel
- Highly Engineered for Ease of Installation
- Slides Easily into Place When Used in Conjunction with T-Brace

BENEFITS:

- Reduces Installation Time
- 10% Savings on Material and Labor Costs
- No Clips or Welding Required
- Easy Installation Due to Patented Design

SECTION	QUANTITY
TBCJ150-43	200pcs/bkt
TBCT150-43	200pcs/bkt



USES:

- Used to join T-Brace to a stud at a corner, doorway, or end of wall
- 1 Screw to T-Brace and up to 2 Screws to Stud
- Clip is also compatible with standard CRC Bracing



Allowable Rotational Loads

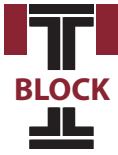
CFS Member	Tested Ultimate Moment (in-lbs)	Allowable Load (in-lbs)	Stiffness (in-lbs/radian)
362S162-68	1168	546	4932
362S162-97	1648	770	6972
600S162-68	1261	589	4026
600S162-97	2011	939	7097

Allowable Lateral Loads

CFS Member	Tested Ultimate Load (lbs)	Allowable Load (in-lbs)	Stiffness (lbs/in) at 0.5 Pult
362S162-68	1268	592	1260
362S162-97	1535	717	1998
600S162-68	1312	613	1390
600S162-97	2299	1074	4575

Table Notes:

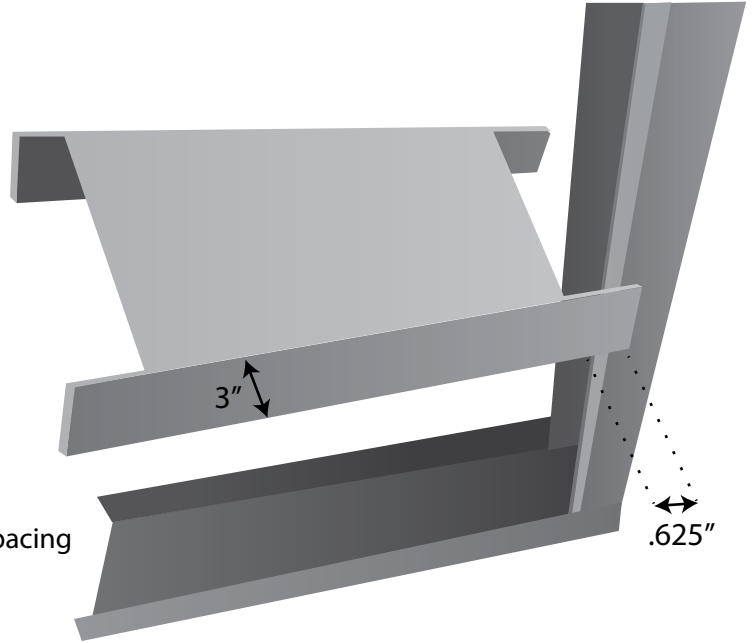
1. Tested results are the average loads utilizing 16ga T-Brace Bridging with 18ga T-Bridge Clips.
2. The Rotational Stiffness is calculated based on the average test deflection divided by the load.
3. The Lateral Stiffness is calculated based on the average test deflection divided by the load at 50% of the ultimate load.
4. Results are 3rd party PE certified



BLOCKING



Blocking a metal stud wall refers to installing a short piece of stud horizontally between the vertical studs. The purpose of blocking is to provide an attachment support point for mounted construction features like shelving, frames, cabinets, railings or other fixed hardware. *Patent Pending 17985838*



PRODUCT OFFERING:

- Blocking Gauges: 16ga and 20ga (30 mil), G60 is standard.
- Lengths: Sized to accommodate 12", 16", & 24" on-center stud spacing
- Web Sizes: Fits 3-5/8", 4", 6", 8", 10", 12" web sizes.
- Leg/Flange: 3"
- Industry Standard Blocking Nomenclature:
TB362-300-S16-54, which is Track Blocking, 3-5/8" web, 3" flange, Stud spacing of 16" on center, 54 mils thick

T-Block Part No.	Gauge	Minimum Thickness (in)	Design Thickness (in)	Tensile Strength (KSI)	Coating	Web (in)	Flange (in)	Stud Spacing (O.C.)	Standard Packaging
TBLK362-300-S12-30	20	0.0296	0.0312	33	G40	3-5/8"	3"	12"	"10pc Bundles"
TBLK362-300-S16-30	20	0.0296	0.0312	33	G40	3-5/8"	3"	16"	
TBLK362-300-S24-30	20	0.0296	0.0312	33	G40	3-5/8"	3"	24"	
TBLK362-300-S12-54	16	0.0538	0.0566	50	G60	3-5/8"	3"	12"	
TBLK362-300-S16-54	16	0.0538	0.0566	50	G60	3-5/8"	3"	16"	
TBLK362-300-S24-54	16	0.0538	0.0566	50	G60	3-5/8"	3"	24"	
TBLK600-300-S12-30	20	0.0296	0.0312	33	G40	6"	3"	12"	
TBLK600-300-S16-30	20	0.0296	0.0312	33	G40	6"	3"	16"	
TBLK600-300-S24-30	20	0.0296	0.0312	33	G40	6"	3"	24"	
TBLK600-300-S12-54	16	0.0538	0.0566	50	G60	6"	3"	12"	
TBLK600-300-S16-54	16	0.0538	0.0566	50	G60	6"	3"	16"	
TBLK600-300-S24-54	16	0.0538	0.0566	50	G60	6"	3"	24"	

T-Block Item No.	Minimum Thickness (in)	Design Thickness (in)	Tensile Strength (KSI)	Web (in)	Flange (in)	Max Stud Spacing (O.C.)	Stud & Track	Allowable Load (lbf)
TBLK362-300-30	0.0296	0.0312	33	3-5/8"	3"	16"	20 ga (30 mil) Fy=33 ksi	Horizontal: 249 lbf Vertical: 339 lbs
TBLK362-300-54	0.0538	0.0566	50	3-5/8"	3"	16"	12 ga (97 mil) Fy=50 ksi	Horizontal: 647 lbf Vertical: 692 lbs
							16 ga (54 mil) Fy=50 ksi	Horizontal: 648 lbf Vertical: 926 lbs
							20 ga (30 mil) Fy=33 ksi	Horizontal: 288 lbf Vertical: 396 lbs

Blocking is connected to studs with (1) #10-16 screw at each flange.

Allowable Loads were determined based on the test results and 3rd party PE reliability analysis per AISI S100-16 Chapter K.



INNOVATION, SERVICE, QUALITY

www.BuildStrong.com • 1-866-372-6384





T-BRACE BRIDGING

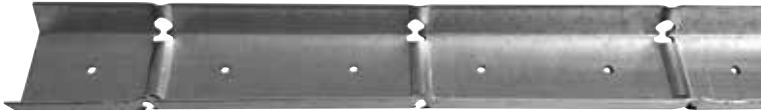


INTRODUCING TRUE-BRACE, A NEW PRODUCT INNOVATION FROM TELLING INDUSTRIES

T-Brace is used as mechanical bridging for studs. Typically, U-Channel or CRC, is attached to studs via clips or a weld to eliminate stud rotation and bending under wind or axial loads. 1-1/2" True-Brace is passed through the stud knockout and snapped securely into place with Telling's patented technology saving valuable time and money.

T-Brace features an innovative, highly engineered design that securely locks the T-Brace into the stud slot hole without the need for clips or welding for most non-structural applications.

Patent 10,309,107 | 10,590,647

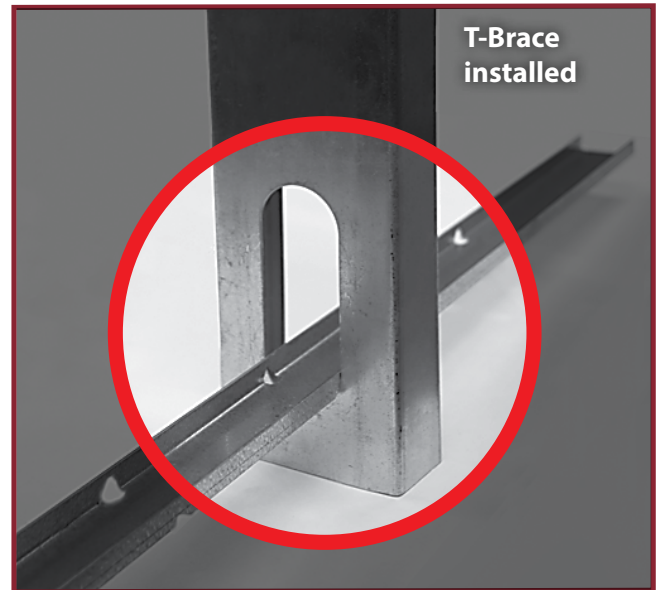


FEATURES:

- Made of Galvanized Steel
- Highly Engineered for Secure Fit in Stud Knockout
- T-Brace Locks into the Stud without Clips or Welding
- Notches every 4" to accommodate 12", 16", 24" OC Stud Spacing

BENEFITS:

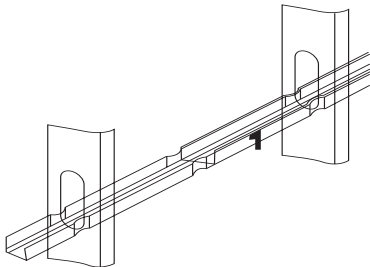
- Reduces Installation Time
- 10% Savings on Material and Labor Costs
- No Clips or Welding Required
- Easy Installation due to patented design



SEE THE VIDEO



T-Brace with self nesting geometry to fit one part inside of another and secured with a screw. T-Brace locking features spaced every 4" to accommodate 12", 16" and 24" on center stud spacing.



Note: T-Brace is designed to lock in to studs with oval punch-outs without clips. T-Brace requires a clip to work with rectangular punch-out studs.



INNOVATION, SERVICE, QUALITY

www.BuildStrong.com • 1-866-372-6384





CORNER BEAD



T-BEAD Corner Bead is a new and improved, highly durable, galvanized bead. It provides a high-quality finish and solid protection at drywall corners. This traditional drywall finishing product can be nailed, stapled, screwed or clinched into place. Deep, knurled and perforated flanges are ideal for joint compound adhesion.

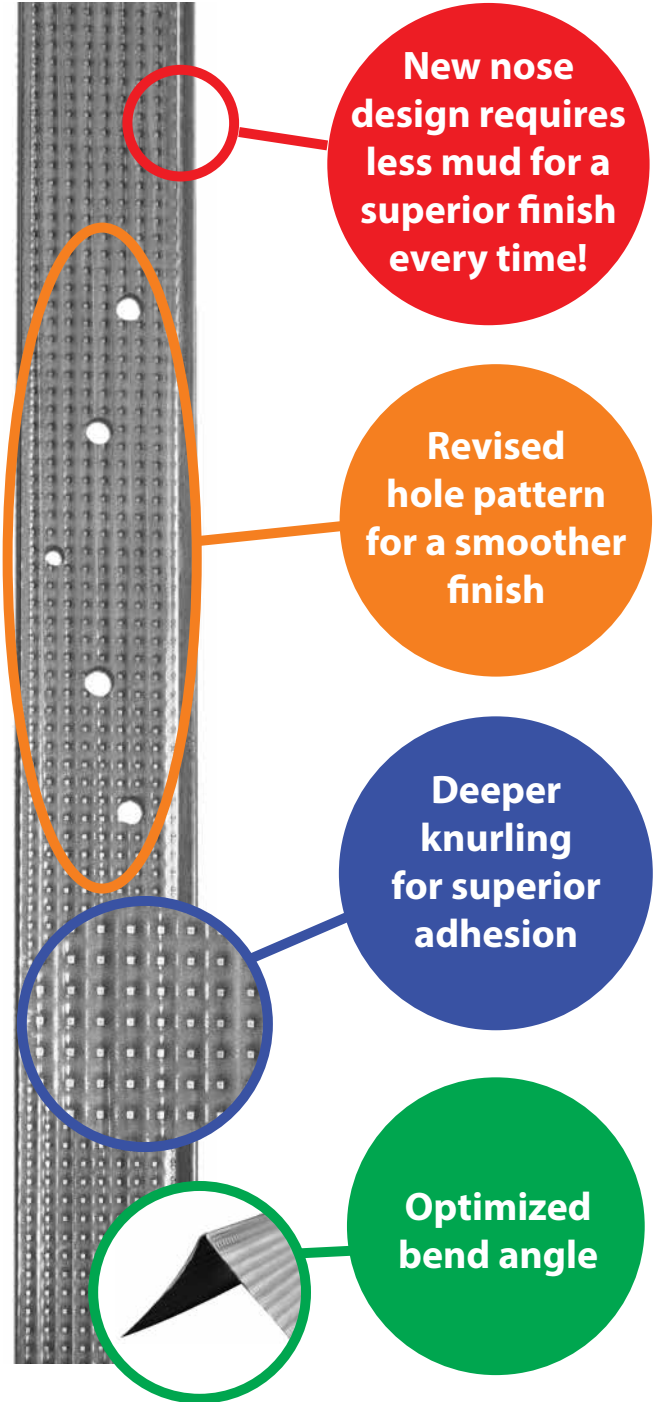
- Offers superior corrosion protection
- Strong metal reinforcement for drywall corners
- Engineered nose resists impact and forms a screed for finishing
- Ideal for humid, moisture-prone conditions and high-traffic areas

FEATURES:

- Made of galvanized steel
- Optimized bend angle
- Reinforces drywall corners
- Prevents dents, scrapes and damage
- Deeper knurling for superior adhesion
- Staggered hole pattern for a smoother finish
- Engineered nose provides a straight, clean corner definition and guards against impact damage
- Joint cement adheres easily to knurled flanges and keys into perforations
- Creates a smooth, seamless surface along drywall corners and intersections
- New nose design requires less mud for a superior finish every time

USES:

- Provides durable protection for drywall external corners



Length	Pieces Per Carton	Cartons Per Pallet	Pieces Per Pallet	Lineal Feet Per Carton
8'	63	50	3150	503
9'	56	50	2800	503
10'	50	50	2500	500
12'	50	50	2500	600



INNOVATION, SERVICE, QUALITY

www.BuildStrong.com • 1-866-372-6384





FLAT STRAP



PRODUCT DATA:

- Designation: FS(Width)-Mil
- Ex: FS200-30
- Stock widths: 2", 4", 6", 8" and 10"
- Custom Widths are available in increments of even inches
- Length: 10', 12', 14', 16', 18', 20', 22', & 24' (custom lengths available in 1' increments)
- Note: 16' through 24' length will have additional packaging costs
- 10 piece minimum order quantities must be strictly followed for 16' & longer lengths in order to package, ship, and handle safely

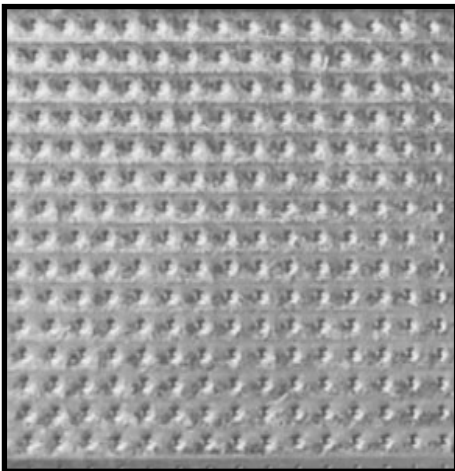
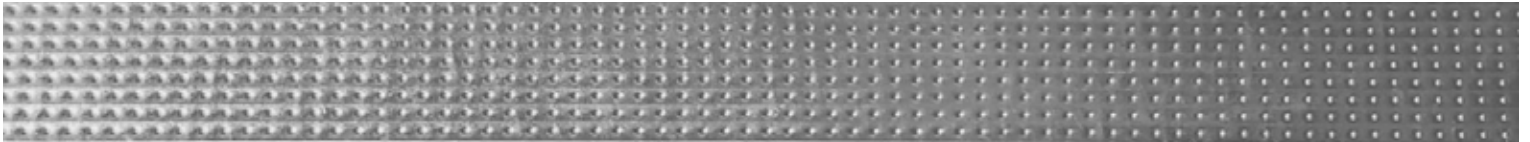
GAUGES:

- 33KSI: 25, 22, 20, 20S & 18 gauge
- 50KSI: 20S, 22, 16, 14 & 12 gauge
- Cut off angle: 90°, 45°, 40°, 35°, 30°, 25°, 20°, 15°, 10°, 5°
- Available in smooth (2"-10") and knurled textures from (2" - 8").
The knurled finish helps start a screw

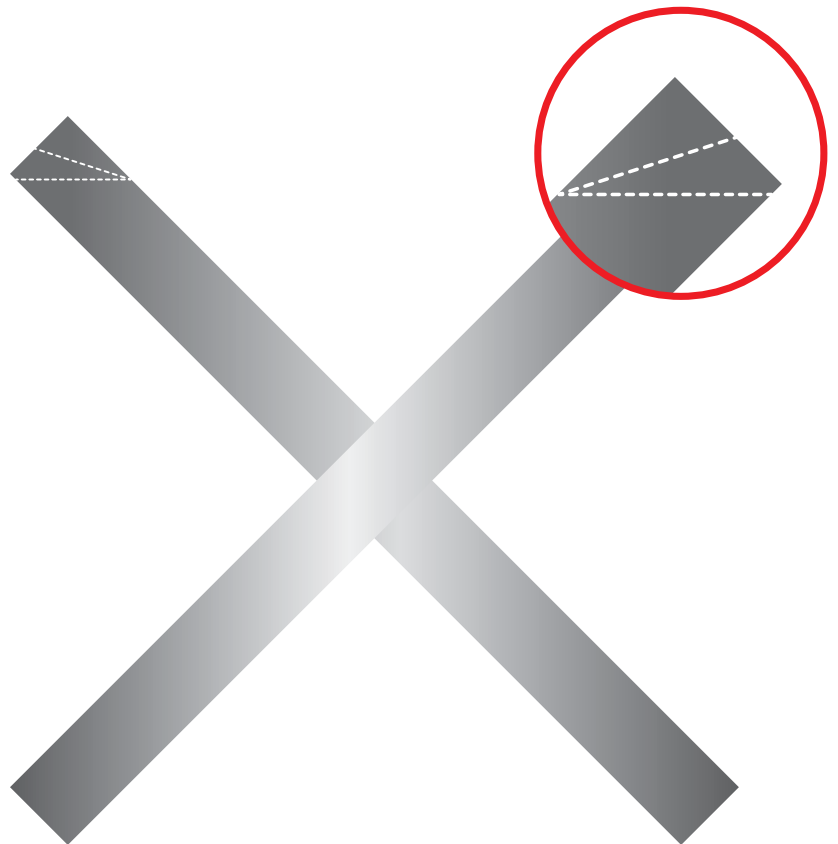
COATING:

- Drywall: Standard G-40 Hot Dipped Galvanized. Also Available in G-60 and G-90
- Structural: G-60 Hot Dipped Galvanized. Also Available in G-60 and G-90
- Meets applicable ASTM's for Structural and Drywall applications:
- ASTM- A1003, A-653, A924, C-645, C754, C955, C1007

- Factory pre-cut angled ends in 5° increments
- Embossed knurled pattern to make it easier to start a screw
- Longer lengths available



Knurled pattern for better screw starting.



INNOVATION, SERVICE, QUALITY

www.BuildStrong.com • 1-866-372-6384





SLOTTED TRACK



WHAT IS TRUE-ACTION™ SLOTTED TRACK - HEAD OF WALL DEFLECTION SYSTEM?

True-Action™ Slotted Track is the industry preferred system for achieving head-of-wall deflection and fire resistance for interior and exterior walls. It meets movement and cycling requirements for ANSI/UL 2079 and is UL Classified for 1, 2, 3, and 4 hour fire-resistant ratings in head-of-wall fire-rated joint systems.

BENEFITS:

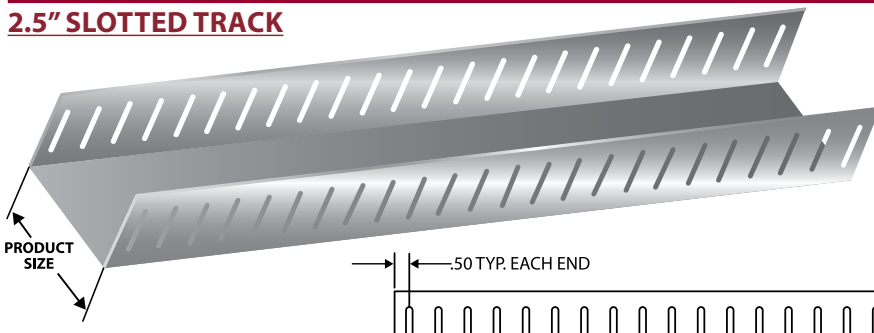
- Fire-rated deflection system
- UL Classified in over 80 approved fire-rated systems
- Standard Slotted Track allows vertical movement
- Custom web, leg and lengths are available (Custom slot sizes are not available)
- Positive attachment provided for wall strength
- Absorbs head-of-wall and floor extension or compression movement
- Integrated with traditional wall systems
- Easy installation reduces labor costs

SEE THE VIDEO



Telling Slotted Track is listed in many gypsum based UL Wall Designs utilizing 0.030" material or thicker for Studs with a web ranging from 2.5" to 8.0".

2.5" SLOTTED TRACK



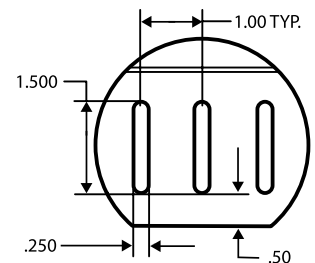
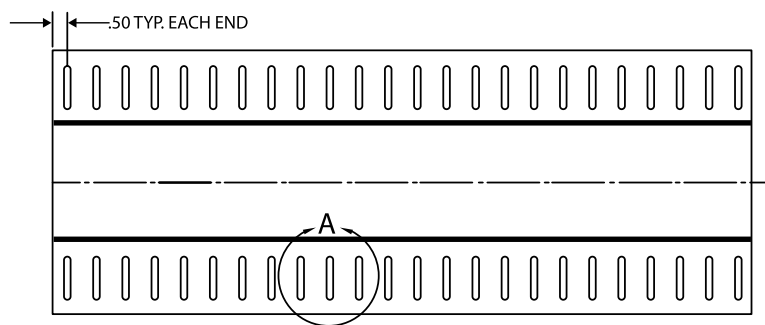
30 EQD SLOTTED TRACK
Another Innovation
From Telling Industries!

PRODUCT SIZES:

MAX WEB: 8"
FLANGE: 2.5"

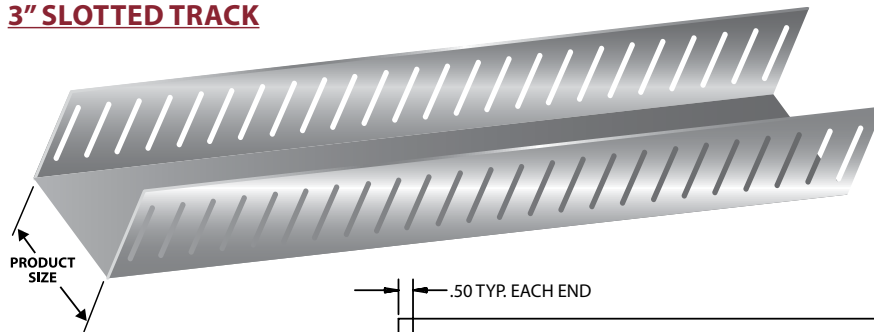
MATERIAL GAUGES:

.0235" MINIMUM
.071" MAXIMUM



DETAIL A
SCALE 2 : 3

3" SLOTTED TRACK

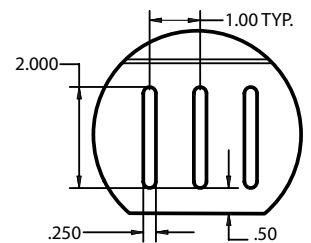
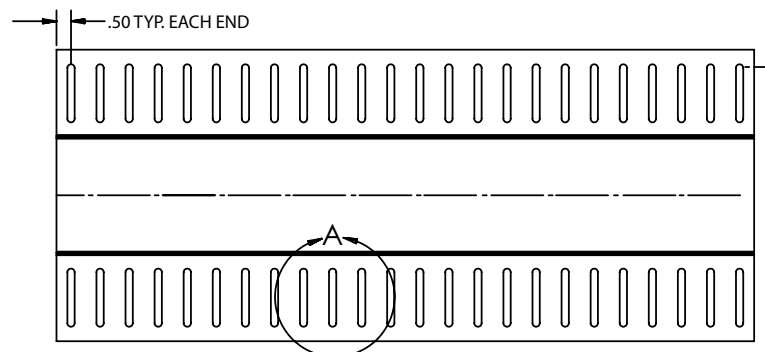


PRODUCT SIZES:

MAX WEB: 8"
FLANGE: 3"

MATERIAL GAUGES:

.030" MINIMUM
.054" MAXIMUM



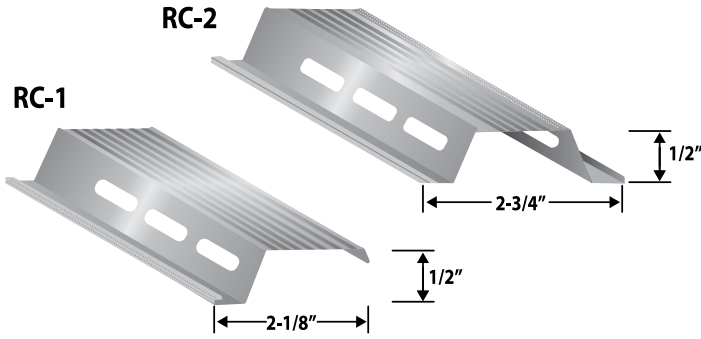
DETAIL A
SCALE 2 : 3



INNOVATION, SERVICE, QUALITY

www.BuildStrong.com • 1-866-372-6384





PRODUCT DATA:

- RC-1: Single Leg
- RC-2: Double Leg
- Gauge: Standard 25 gauge conforming to ASTM A-653 and C-645
- Lengths: 12' 0" stock length
- RC-1: Screw attachment, one side only
- RC-2: Screw attachment, both sides

USES:

- Used as cross furring members for resilient attachment of gypsum wallboard or lath on ceilings and partitions
- Decreased sound transmission through wall partitions and ceilings up to 13%

Product	Length	Wt./Ft.	Pcs./Ctn/	Ft./Ctn.
RC-1	12'	0.20	40	480
RC-2		0.24		

SUPREME TESTED ASSEMBLIES

All acoustical data was independently tested by Riverbank Acoustical Laboratories. Riverbank Acoustical is a nationally recognized company accredited by the National Institute of Standards and Technology (NIST) through the National Voluntary Laboratory Accreditation Program (NVLAP).

RiverbankAcoustical

L A B O R A T O R I E S

PARTITION SPECIFICATIONS

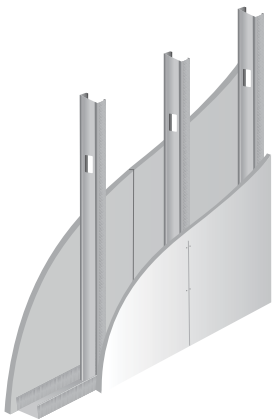
Partition Type	Side A	SideB	Gypsum Type	Insulation Type	Stud Spacing	STC Rating
1	1 layer	1 layer	5/8" Type X	-	24" oc	38
2	1 layer	1 layer	5/8" Type X	R-11 insulated	24" oc	47
3	1 layer	1 layer on RC-1	5/8" Type X	R-11 insulated	24" oc	52
4	2 layers	2 layers on RC-1	5/8" Type X	R-11 insulated	24" oc	61

TYPICAL RC-1 INSTALLATION INSTRUCTIONS FOR WALLS

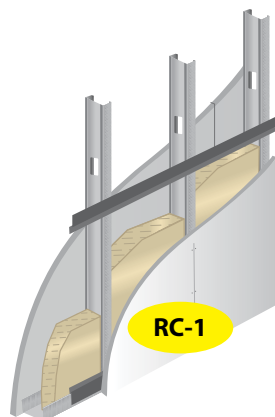
- Bottom RC-1 installed with mounting leg turned up, spaced 2" up from top track leg.
- Top RC-1 installed with mounting leg turned down, spaced 6" down from track leg.
- Middle RC-1 installed with mounting leg turned down, spaced 24" apart.
- Please reference Gypsum Association's GA-216 guidelines.

TYPICAL RC-1 INSTALLATION INSTRUCTIONS FOR CEILINGS

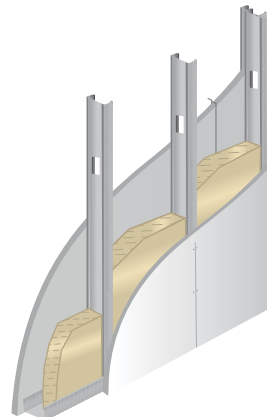
- When RC-1 is installed on a ceiling, it should be installed perpendicular to the joists.
- RC-1 should be installed on ceilings with the open side facing the same direction across the entire ceiling.
- RC-1 on ceilings should be install with maximum of 6" spacing out from a wall.
- 16" OC joist spacing use 24" RC-1 spacing. 24" OC joist spacing use 16" RC-1 spacing.
- RC-1 can be overlapped at a support location with a minimum of 4" overlap.
- No more than two 5/8" gypsum boards should be fastened to an RC-1 channel with a maximum load of 5 lbs per SF.



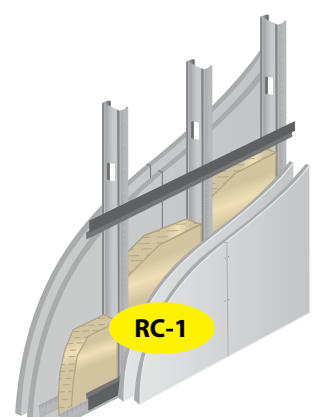
Partition Type 1
38 STC
3 5/8" Stud



Partition Type 3
52 STC
3 5/8" Stud



Partition Type 2
47 STC
3 5/8" Stud

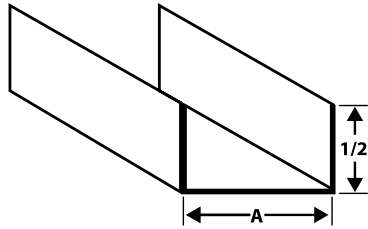


Partition Type 4
61 STC
3 5/8" Stud

U-CHANNEL (CRC)

PRODUCT DATA:

- Available in galvanized steel meeting ASTM A-1003 or hot-dipped galvanized steel meeting ASTM A-653, G60.
- Lengths: 16' stock length. (Other lengths available)



USES:

- Bridging, (lateral support) in walls carrying axial and/or wind loads.
- Bracing studs at door bucks and furring for ceilings.
- Used in conjunction with metal lath and plaster in partitions, ceilings, column and beam enclosures, etc.

U-CHANNEL (CRC) SECTION PROPERTIES

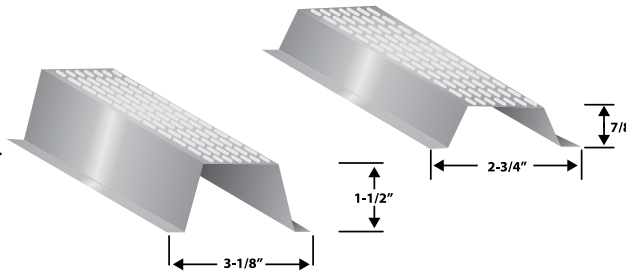
Section	Design Thickness (in)	Area (in ²)	Weight (lb/ft)	Gross				Effective Properties 33 ksi			
				I _x (in ⁴)	R _x (in)	I _y (in ⁴)	R _y (in)	I _x (in ⁴)	S _x (in ³)	M _a (in-k)	V _a (lb)
CRC-075	0.0566	0.087	0.30	0.007	0.288	0.002	0.155	0.007	0.019	0.45	315
CRC-150	0.0566	0.129	0.44	0.039	0.547	0.003	0.144	0.039	0.052	1.22	840
CRC-200	0.0566	0.157	0.54	0.079	0.079	0.003	0.136	0.079	0.079	1.87	1190
CRC-250	0.0566	0.186	0.63	0.139	0.866	0.003	0.128	0.139	0.111	2.64	1540

- Notes:
1. Minimum deliverable base metal thickness is 95% of design thickness.
 2. Inside bend radius taken as 3/32"
 3. Effective properties based on F_y = 33ksi
 4. For deflection calculations, use the effective moment of inertia

DRYWALL FURRING CHANNEL

PRODUCT DATA:

- Available in 7/8" and 1-1/2" sizes.
- Gauge: Standard 25 through 12 gauges.
- Lengths: 12' 0": stock length, (other lengths available).
- Consult Telling Industries' light gauges structural framing and accessories brochure for structural properties and span tables



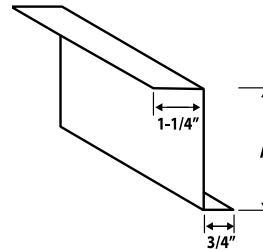
USES:

- Conventional accessory components for use in furring out ceilings and masonry walls. Knurled face prevents screw "ride" when attaching gypsum wallboard.
- 1-1/2" DWFC is economical with respect to furring walls with electrical boxes, (no need to set into concrete).

(ZFC) Z-FURRING CHANNEL

PRODUCT DATA:

- Available in hot-dipped galvanized steel conforming to ASTM A-653 and C-645
- Gauges: Standard 25 gauge, (available in 20, 18, and 16 gauge upon request)
- Lengths: Standard 10'0" and 8'6" lengths, (other lengths available upon request)

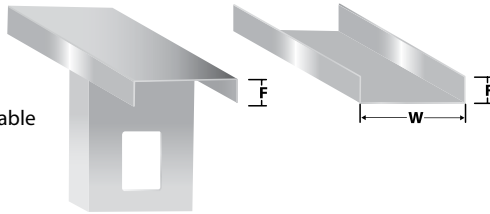


Product	(A) in. Size	25 Ga. Wt./Ft.
Z-100	1.00	0.195
Z-150	1.50	0.225
Z-200	2.00	0.260

(CLT) CUSTOM LEG TRACK

PRODUCT DATA:

- Designation: CLT or VST width x gauge
- Widths: Multiple sizes and gauges available
- Gauge: Multiple sizes available
- Lengths: Standard 10'



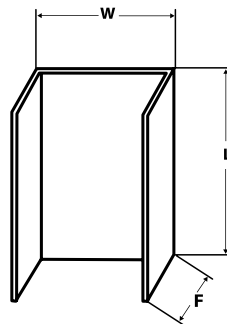
USES:

- CLT used for standard built construction with channel or bracing attached within 2' of track member to each stud
- For attachment at top of infill curtain wall systems to primary frame; allows for one half inch of live load deflection or settlement of the primary frame without transferring the load to the exterior wall while bracing the wall against lateral forces
- Variable width and height for track-in-track application such as panel construction

(WS) WEB STIFFENERS

PRODUCT DATA:

- Designation: WS W x F x gauge
- Length: 4, 6, 7-1/4, 8, 9-1/4, 10, 12 inch
- Galvanized finish
- For axial capacities contact Telling Industries Engineering

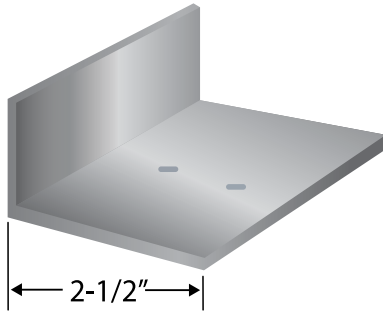


USES:

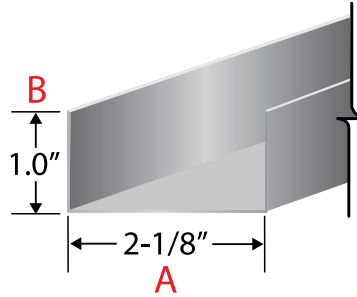
- For web reinforcement of C shaped framing members
- Allow transfer of axial loads through joists at bearing conditions of platform frames

AREA SEPARATION WALL assemblies are designed for use in multi-family, multi-story townhouses as a firewall with a total height up to 50 feet. Because it is constructed using gypsum board, the assembly is easy to erect and secure, meets all building code requirements, and provides economical fire protection and sound control. Telling's Area Separation Wall utilizes H studs as referenced in UL wall assemblies U336, U347, U366, & U375.

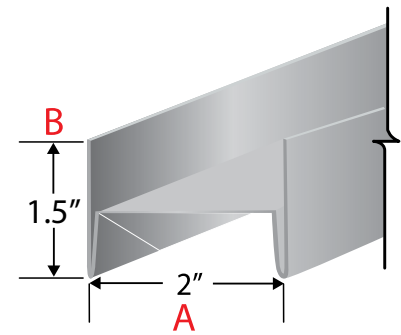
Aluminum Angle Clip



C-Track, Cap, Edge or End Closure



H-Stud, 25-Gauge



C TRACK PRODUCT OFFERING

Section	Web (A) inches	Leg (B) inches	Coatings
213ASW-AST100-18	2.125"	1.0"	G40 standard. G60 & G90 with upcharge

TRACK SECTIONAL PROPERTIES

Section	Design Thickness (in)	Min Base Steel Thickness (in)	Fy Yield Stress (ksi)	Weight (lb/ft)	Cross Sectional Area (in ²)	Moment of Inertia about X-X axis Ixx (in ⁴)	Radius of Gyration Rx (in)	Moment of Inertia about Y-Y axis Iyy (in ⁴)	Radius of Gyration Ry (in)
213ASW-AST100-18	0.0188"	0.0179"	33	0.26	0.075	0.054	0.847	0.008	0.319

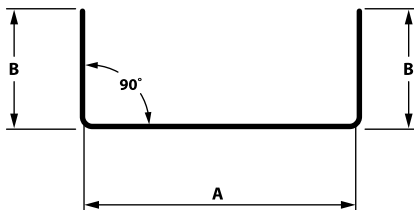
H STUD PRODUCT OFFERING

Section	Web (A) inches	Flange (B) inches	Coatings
200ASW-HS200	2.0"	2.25"	G40 standard. G60 & G90 with upcharge

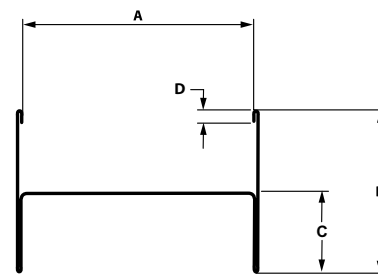
H STUD SECTIONAL PROPERTIES

Section	Design Thickness (in)	Min Base Steel Thickness (in)	Fy Yield Stress (ksi)	Weight (lb/ft)	Cross Sectional Area (in ²)	Moment of Inertia about X-X axis Ixx (in ⁴)	Radius of Gyration Rx (in)	Moment of Inertia about Y-Y axis Iyy (in ⁴)	Radius of Gyration Ry (in)
200ASW-HS200	0.0188"	0.0179"	33	0.70	0.205	0.185	0.952	0.118	0.760

C TRACK



H STUD



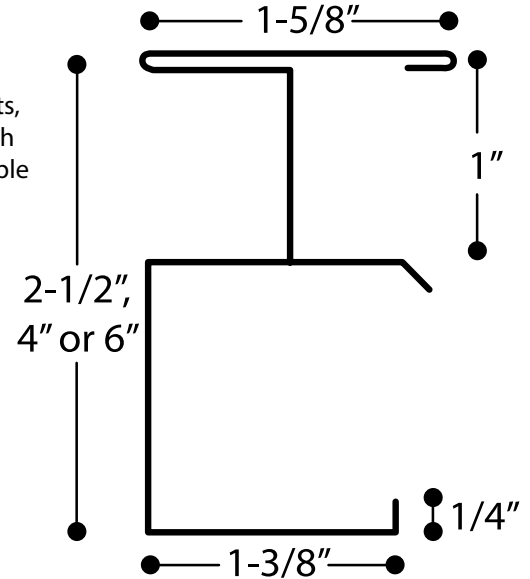
For more information, please contact Telling Industries Technical Services at 1-866-372-6384.

LIGHT GAUGE METAL FRAMING ACCESSORIES: SHAFTWALL SYSTEM: CT STUD & J TRACK

Shaftwall Systems are used to aid in the construction of elevator shafts, mechanical shafts, stairwells, air return shafts and horizontal membranes. The system is designed to use with 1" gypsum board. Telling's Shaftwall is available in 2 1/2", 4", or 6" sizes. Shaftwall is available in 18, 33 and 40 mil thicknesses. Shaftwall design utilizes CT (also called CH) studs as referenced in the UL wall assembly U415.

CT STUD PRODUCT OFFERING

Section	Web (in)	Min Thickness (in)	Design Thickness (in)	Fy (ksi)
CT-18	2.5", 4.0", 6.0"	0.0179	0.0188	33
CT-33	2.5", 4.0", 6.0"	0.0329	0.0346	33
CT-40	2.5", 4.0", 6.0"	0.0380	0.0400	33



CT STUD SECTION PROPERTIES

Section	Min Thickness (in)	Design Thickness (in)	Fy (ksi)	Weight (lb/ft)	Area (in ²)	Ixx (in ⁴)	Sx(C) (in ³)	Sx(T) (in ³)
250CT-18	0.0179"	0.0188"	33	0.47	0.118	0.132	0.095	0.118
400CT-18	0.0179"	0.0188"	33	0.58	0.015	0.374	0.171	0.207
600CT-18	0.0179"	0.0188"	33	0.72	0.181	0.957	0.299	0.347
250CT-33	0.0329"	0.0346"	33	0.82	0.218	0.242	0.175	0.217
400CT-33	0.0329"	0.0346"	33	1.02	0.267	0.687	0.341	0.380
600CT-33	0.0329"	0.0346"	33	1.26	0.333	1.759	0.543	0.637
250CT-40	0.0380"	0.0400"	33	0.99	0.291	0.273	0.253	0.192
400CT-40	0.0380"	0.0400"	33	1.19	0.351	0.811	0.476	0.353
600CT-40	0.0380"	0.0400"	33	1.47	0.431	2.142	0.827	0.628

CT STUD & J TRACK LIMITING WALL HEIGHTS

Limiting Wall Heights for CT Studs & J Track Shaftwall 1-Hour Fire Rated Assemblies

Section	Design Thickness (in)	5 psf				7.5 psf				10 psf			
		L/120	L/180	L/240	L/360	L/120	L/180	L/240	L/360	L/120	L/180	L/240	L/360
250CT-18	0.0188"	11' 7" f	11' - 4"	10' - 6"	9' - 0"	9' - 5" f	9' 5" f	8' 11"		8' 2" f	8' 2" f	7' 10"	
400CT-18	0.0188"	14' 6" f	14' 6" f	13 - 9	12 - 1	11-10 f	11-10 f	11-10f	10-5	9-3s	9-3s	9-3s	9-3s
600CT-18	0.0188"	16' 11" f	16 - 11f	16 - 11f	16 - 3	13-10 f	13-10 f	13-10f	13-10f	12-0f	12-0f	12-0f	12-0f
250CT-33	0.0346"	15' 9"	13 - 9	12 - 6	10 - 11	13 - 9	12-0	10-11	9-6	12-6	10-11		8-7
400CT-33	0.0346"	21' 7"	18 - 10	17 - 2	15 - 0	18-9F	16-6	15-0	13-1	16-2f	15-0	13-7	11-10
600CT-33	0.0346"	27' 10" f	25 - 3	22 - 11	20 - 1	22-9f	22-1	20-1	17-6	19-5f	19-5f	18-3	15-11
250CT-40	0.0400"	16' 11"	14 - 9	13 - 5	11 - 9	14-9	12-11	11-9	10-2	13-5	11-9	10-7	9-2
400CT-40	0.0400"	23' 4"	20 - 4	18 - 6	16 - 2	20-4	17-9	16-2	14-1	18-6	16-2	14-8	12-10
600CT-40	0.0400"	30' 11"	27 - 1	24 - 8	21 - 7	27-1	23-9	21-7	18-11	24-7f	21-7	19-8	17-3

NOTES:

1. Allowable composite limiting heights are calculated using ICC-ES-AC86-2012
2. "f" indicates flexural stress controls the allowable wall height
3. "s" indicates the end reaction controls the allowable wall height
4. Wall Construction was: Type X 5/8" thick Gypsum board, & #6 screws
5. Stud Spacing was 24" on center
6. 600CT-33 and 600CT-40 assemblies require a 6 in screw spacing for the gypsum board along the top & bottom track.

ONE PIECE HEADER FRAMING SYSTEM

The Titan one piece wide flange header and jamb offers a better solution for framing multiple openings than the conventional lay-in or boxed headers.

SYSTEM ADVANTAGES:

- No more built-up jambs and headers
- Saves over 50% in installation and material over conventional framing
- Substantial reduction in number of screws and labor
- Header quickly attaches to jamb with fully tested, pre-drilled Titan Header Clip

SEE THE VIDEO



MATERIAL

SPECIFICATIONS:

ASTM 1003, Grade 50

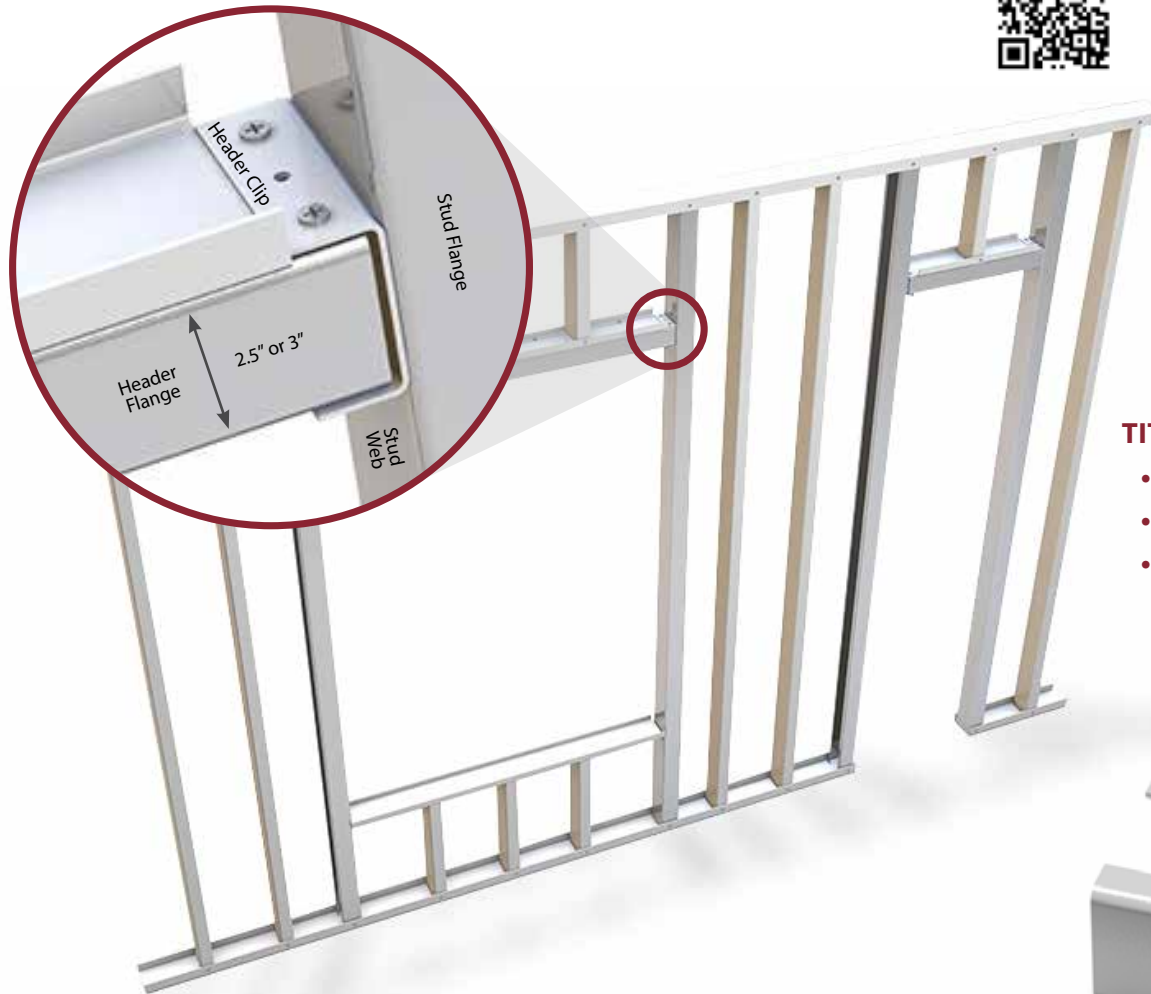
PRODUCT AVAILABILITY:

Titan Header & Jamb

- **Web:** 3-5/8", 4", 6", & 8"
- **Flanges:** 2-1/2" & 3"
- **Lip/Return:** 7/8"
- **Thickness:**
 - 54 mils (16ga) 50KSI
 - 68 mils (14ga) 50KSI
 - 97 mils (12ga) 50KSI

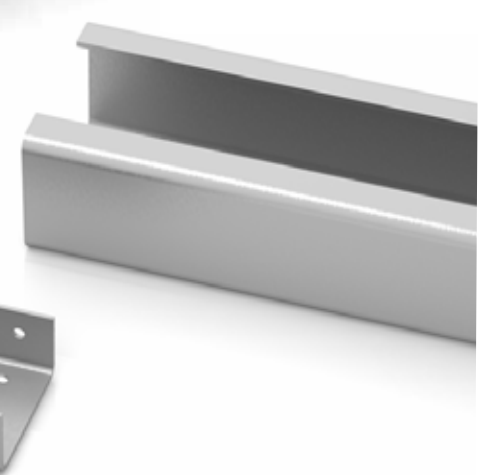
TITAN HEADER CLIP

- **Length:** 3-5/8", 6" & 8" x 1-1/2"
- **Web:** 2.5", 3.0"
- **Thickness:** 68 mils (14ga) 50KSI



Header Size		Titan Header Clip Allowable Load Capacity	
Web Depth (in)	Flange Width (in)	Vertical Load (lbs)	Horizontal Load (lbs)
3-5/8	2-1/2	1140	1520
4			
6			
8			
3-5/8	3	1140	1520
4			
6			
8			

1. Attach THC (clip) with (4) #10-16 screws to Titan Jamb and Titan Header respectively.
2. Listed values are based on 54 mil (16 gauge), 50 ksi Titan Header and Jamb.
3. For combined vertical and horizontal, use linear interaction equation.
4. Tabulated values are based on testing in accordance with the requirements of ICC-ES AC261.
5. Allowable loads are calculated with Safety factor, Ω , of 2.711 for vertical and 2.606 for horizontal.
6. Safety factors are calculated in accordance with the provisions of Section F1 of AISI S100 with the statistical parameters given in AC261.





T-RULE TECHNOLOGY



NON STRUCTURAL

US PATENT 11,002,011

MARKET NEED:

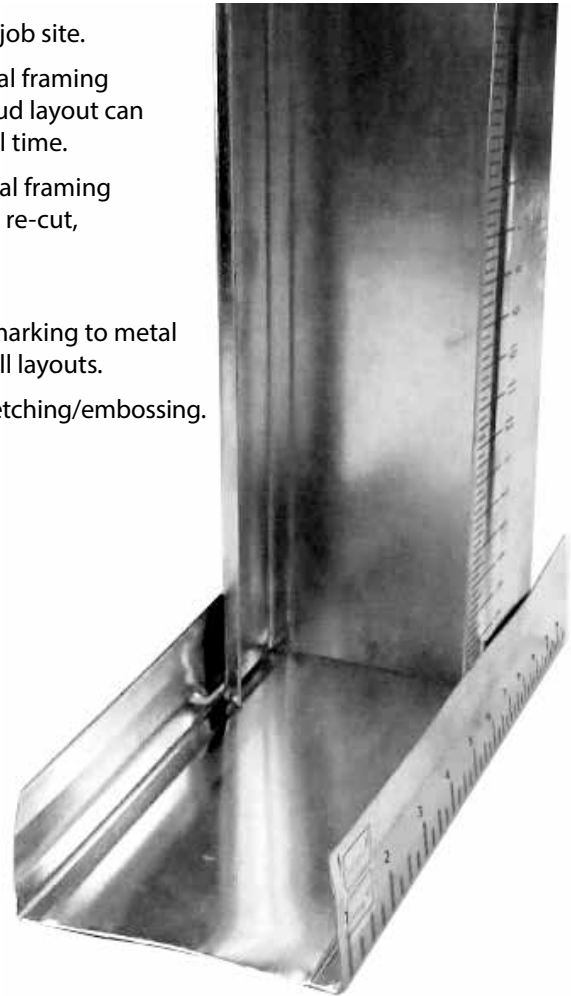
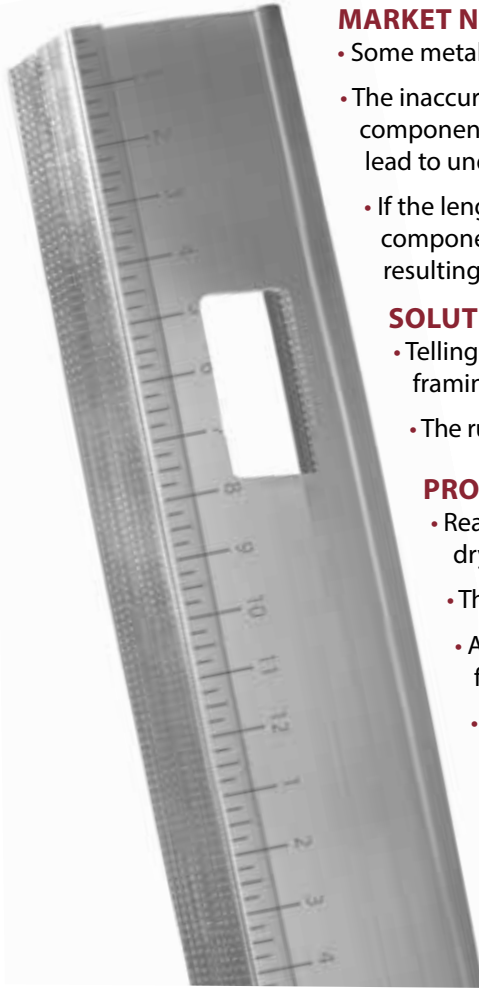
- Some metal framing must be custom cut to length at the job site.
- The inaccuracy of stretching a tape measure across a metal framing component, marking it, then field cutting or track and stud layout can lead to undesirable length variation and increased install time.
- If the length variation is too excessive, the field cut metal framing components may need to be scrapped and new pieces re-cut, resulting in higher material costs.

SOLUTION:

- Telling has a patent pending invention to add ruler marking to metal framing stud & track to simplify field cutting and wall layouts.
- The ruler markings will be permanently applied via etching/embossing.

PRODUCT INFO:

- Readily available on 30mil & 33mil traditional drywall studs at no upcharge.
- The marking will be in 1/4", 1/2" & 1" increments.
- Available upon request for 18ga & 16ga studs for a modest upcharge.
- Standard: 2ft of etched ruler marking.
- Upon request: etch entire length of stud for a modest upcharge.
- Track is coming soon!



NO MORE MEASURING TAPE! TRUE-RULE TECHNOLOGY MAKES CUTTING STUD AND TRACK A BREEZE!



SEE THE VIDEO



INNOVATION, SERVICE, QUALITY

www.BuildStrong.com • 1-866-372-6384





TRADITIONAL FRAMING



Telling offers a full product line of traditional full gauge metal framing for interior non-load bearing drywall applications. Our patent True-Rule technology can be applied to most Traditional Stud options.

Telling's Traditional Metal Framing is listed in the International Code Compliance Evaluation Service Report (ICC-ESR 2281) verifying load bearing light gauge steel framing products are code compliant. This report and 3rd party quality audit validation provides evidence that both our products, and our quality processes meet or exceed International Building Code standards. Telling's Traditional Metal Framing complies with AISI S100, ASTM A653, ASTM A1003, ASTM C645, ASTM C754.

TRADITIONAL INTERIOR FRAMING PROPERTIES & DATA

Thickness Nomenclature	Min Base Metal Thickness (in)	Design Thickness (in)	Min Yield Strength (ksi)	Standard Galvanization	Web Sizes (in)	Stud Flange / Leg Sizes (in)	Track Flange / Leg Sizes (in)	Design Inside Corner Radii (in)
18 mil	0.0179"	0.0188"	33 ksi	G40	1-5/8", 2.5", 3.5", 3-5/8", 4"	1-1/4"	1-1/4", 1.5"	0.0843"
27 mil	0.0269"	0.0283"	33 ksi	G40	1-5/8", 2.5", 3.5", 3-5/8", 4", 5.5", 6"	1-1/4"	1-1/4", 1.5"	0.0796"
30 mil	0.0296"	0.0312"	33 ksi	G40	1-5/8", 2.5", 3.5", 3-5/8", 4", 5.5", 6"	1-1/4"	1-1/4", 1.5"	0.0781"
33 mil	0.0329"	0.0346"	33 ksi	G40	1-5/8", 2.5", 3.5", 3-5/8", 4", 5.5", 6", 7-1/4", 8"	1-1/4", 1-3/8", 1-5/8", 2"	1-1/4", 1.5", 2"	0.0764"

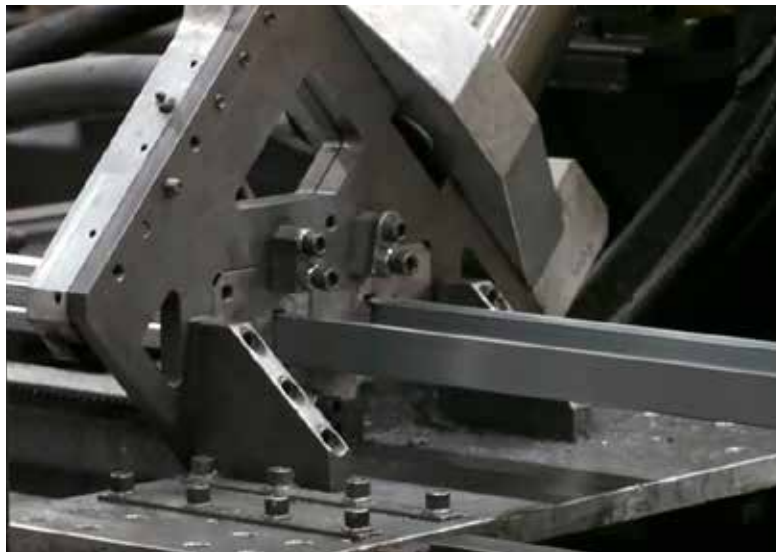
Return lip is 0.1875" for all traditional interior framing studs.

G60 & G90 available for an upcharge.

Drywall max Web 6"
33mil structural max web is 8".

Drywall max Leg 1-1/4".
33mil structural max Leg is 2".
1-5/8" web has max 2" leg on press brake.

Drywall max Leg 1-1/4".
33mil Structural max Leg is 2"
1.5" is Press Brake only.



Steel Framing Alliance™



INNOVATION, SERVICE, QUALITY

www.BuildStrong.com • 1-866-372-6384

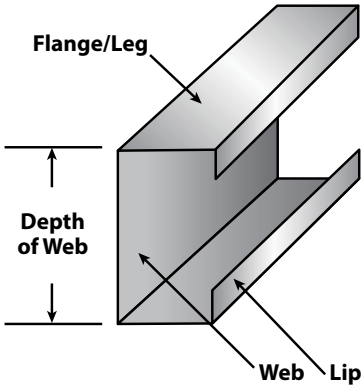




STRUCTURAL FRAMING



Telling offers a full product line of Structural Metal Framing for load bearing applications. Telling's Structural Metal Framing is listed in the International Code Compliance Evaluation Service Report (ICC-ESR 2281) verifying load bearing light gauge steel framing products are code compliant. This report and 3rd party quality audit validation provides evidence that both our products, and our quality processes meet or exceed International Building Code standards. Telling's Structural Metal Framing complies with AISI S100, ASTM A653, ASTM A1003, ASTM C645, ASTM C754, ASTM C1007.



INTERNATIONAL CODE COUNCIL

INTERNATIONAL BUILDING CODE COMPLIANT

- ICC ESR 2281
 - ICC-ES Certified
 - Internationally recognized
- Verified by ICC Certified Inspectors at all facilities
 - Cambridge, Ohio
 - Osceola, Arkansas
 - Windsor, Connecticut

ASTM INTERNATIONAL

TELLING MEETS OR EXCEEDS ALL APPLICABLE STRUCTURAL FRAMING STANDARDS.

- A 1003** - Standard Specifications for Steel Sheet, Carbon, Metallic and Nonmetallic - Coated for Cold-Formed Framing Members
- A 653** - Standard Specifications for Steel Sheet, Zinc-Coated (Galvanized) or Zing-Iron Alloy - Coated (Galvannealed) by the Hot-Dip Process
- C 645** - Standard Specifications for Nonstructural Steel Framing Members
- C 754** - Standard Specifications for Installation of Steel Framing Members to Receive Screw - Attached Gypsum Panel Products
- C 955** - Standard Specifications for Load-Bearing (Transverse and Axial) Steel Studs, Runners, (Tracks), and Bracing or Bridging for Screw Application of Gypsum Panel Products and Metal Plaster Bases
- C 1007** - Standard Specification for Installation of Load Bearing (Transverse and Axial) Steel Studs and Related Accessories

THICKNESS - STEEL COMPONENTS

Mill Thickness (mils)	Design Thickness (in)	Reference Only Gauge Number	Color Coding
33	0.0346	20 - Structural	White
43	0.0451	18	Yellow
54	0.0566	16	Green
68	0.0713	14	Orange
97	0.1017	12	Red
118	.1242	10	Blue

Section	Flange Width	Design Stiffening Lip Length (in)
S137	1-3/8"	0.375
S162	1-5/8"	0.5
S200	2"	0.625
S250	2-1/2"	0.625
S300	3"	0.75
S350	3-1/2"	1.0

Minimum Thickness represents 95% of the design thickness and is the minimum acceptable thickness delivered to the job site based on Section A2.4 of AISI S100-07.



Steel Framing Alliance™



INNOVATION, SERVICE, QUALITY

www.BuildStrong.com • 1-866-372-6384



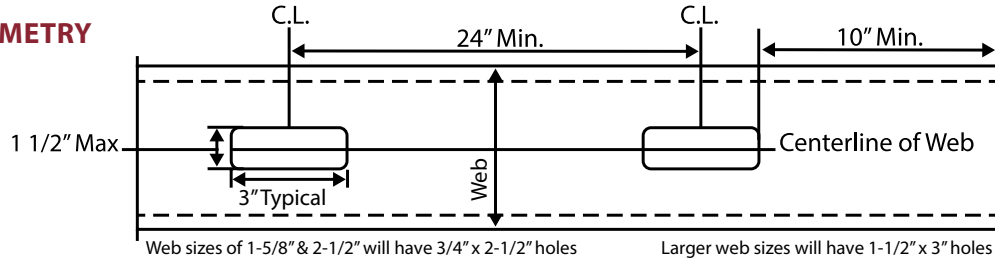
SUPREME STUD AND TRACK CERTIFICATION

Supreme products have an industry standard, four-part identification code that identifies the web depth, flange width, style, and mil thickness. For example: 362SFS125-D20 = 3-5/8" web Supreme Framing Stud 1-1/4" leg at 20eq thickness.

The Supreme Framing System offers all the benefits of traditional flat steel studs and track. It consists of high strength metal framing with a design that achieves equal or better performance by using superior 57 ksi yield strength and thinner steel.

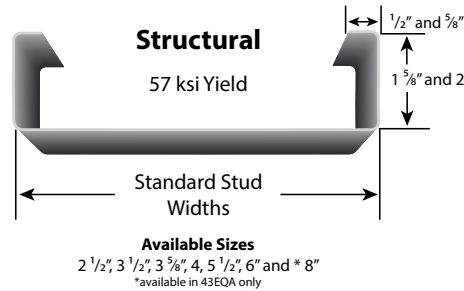
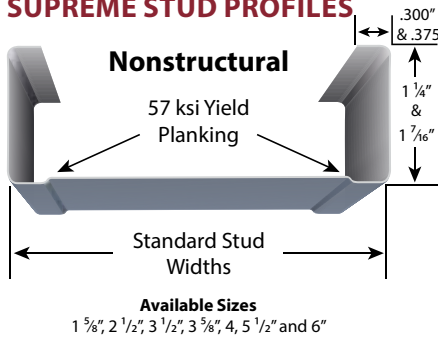
All inspections and testing for the Supreme Steel Framing System Association (SSFSA) are provided by a third-party certification agency where products are required to be audited to ensure consistent quality and compliance to ASTM C645, C955, IBC Codes, and AISI S100-07 standards.

SUPREME HOLE GEOMETRY



Additional Supreme Framing System information available at www.SSFSA.com

SUPREME STUD PROFILES



SUPREME STUD STIFFENING LIP LENGTH

Nomenclature	Flange/Leg (in)	Stiffening Lip Length (in)
SFS125-D25	1-1/4"	0.300"
SFS125-D20	1-1/4"	0.375"
SFS144	1-7/16"	0.375"
SFS162	1-5/8"	0.500"
SFS200	2"	0.625"

Supreme Stud Stiffening Lip Length remains constant with various web sizes

SUPREME STUD

Thickness Nomenclature	Min Base Metal Thickness (in)	Design Thickness (in)	Min Yield Strength (ksi)	Standard Galvanization	Web Sizes (in)	Stud Flange / Leg Sizes (in)	Track Flange / Leg Sizes (in)	Design Inside Corner Radii (in)
D25	0.0147"	0.0155"	50 or 57 ksi	G40	1-5/8", 2.5", 3.5", 3-5/8", 4", 5.5", 6"	1-1/4"	1-1/4" and 1-1/2"*	0.0860"
D20	0.0179"	0.0188"	57 ksi	G40	1-5/8", 2.5", 3.5", 3-5/8", 4", 5.5", 6"	1-1/4" and 1-7/16"	1-1/4" and 1-1/2"*, 2"*	0.0844"
30EQD	0.0223"	0.0235"	57 ksi	G40	1-5/8", 2.5", 3.5", 3-5/8", 4", 5.5", 6"	1-1/4" and 1-7/16"	1-1/4", 1-1/2" and 2"*	0.0820"

D = Drywall / Non Structural, S = Structural

Higher galvanization available

* = Track height to weight ratio exceeds AISI S100 guidelines

SUPREME DEEP LEG TRACK

Thickness Nomenclature	Min Base Metal Thickness (in)	Design Thickness (in)	Min Yield Strength (ksi)	Standard Galvanization	Track Web Sizes (in)	Track Flange / Leg Sizes (in)	Gap (in)
D20	0.0179"	0.0188"	57 ksi	G40	2.5", 3.5", 3-5/8", 4", 5.5", 6"	2", 2.5", 3"	2" leg = 1/2" gap 2.5" leg = 3/4" gap 3.0" leg = 1.0" gap
30EQD	0.0223"	0.0235"	57 ksi	G40	2.5", 3.5", 3-5/8", 4", 5.5", 6"	2", 2.5", 3"	

D = Drywall / Non Structural, S = Structural





TELLING PROUDLY MANUFACTURES PREMIUM METAL FRAMING & ACCESSORIES WITH HIGH CALIBER, RESPONSIVE CUSTOMER SERVICE TO MATCH!



GET IT FAST!

Most standard products are available for next day shipment

QUALITY & SERVICE:

The Telling Plants Have High Quality Service!

Less than 1% Back Orders!

**NEED PRODUCT INFORMATION,
ENGINEERING HELP
OR ANYTHING ELSE?**

**YOUR INSIDE SALES REPRESENTATIVE
IS READY TO HELP!**

Technical information and CAD drawings available at

www.BuildStrong.com | 



INNOVATION, SERVICE, QUALITY

www.BuildStrong.com • 1-866-372-6384





THE LEADER IN METAL FRAMING INNOVATION

Telling® Industries

Corporate Headquarters

4420 Sherwin Road

Willoughby, OH 44094

Phone: 440-974-3370

Toll Free: 866-FRAME-TI(372-6384)

Fax: 440-974-3408

E-mail: sales.corp@tellingindustries.com

Telling® Industries

Midwest Facility

2105 Larrick Road

Cambridge, OH 43725

Phone: 740-435-8900

Toll Free: 866-35STUDS (357-8837)

Fax: 740-435-8915

E-mail: sales.oh@tellingindustries.com

Telling® Industries

Midsouth Facility

1400 Southwire Drive

Osceola, AR 72370

Phone: 870-563-6065

Toll Free: 888-711-3124

Fax: 870-563-2471

E-mail: sales.ar@tellingindustries.com

Telling® Industries

Northeast Facility

1050 Kennedy Road

Windsor, CT 06095

Toll Free: 866-372-6384

Fax: 440-974-3408

E-mail: sales.corp@tellingindustries.com