

1

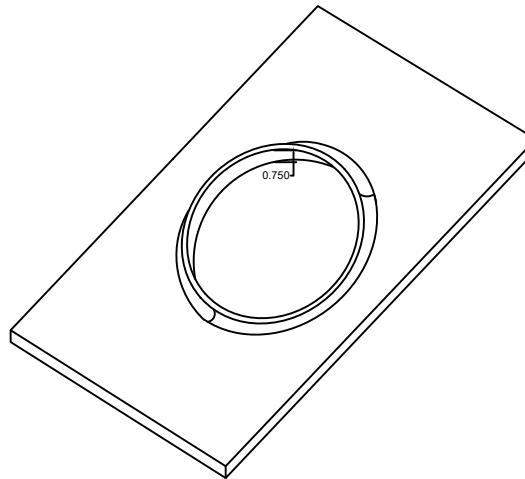
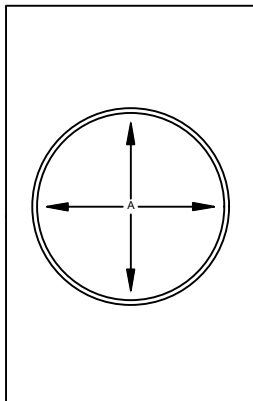
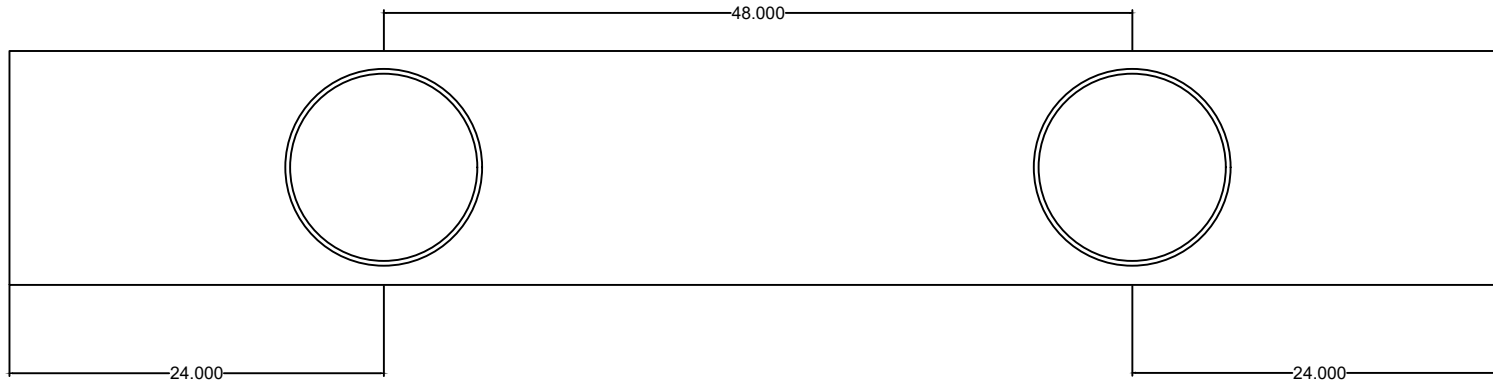
2

3

4

Revision			
REV	Description	Date	APVL
		10/18/23	C. Haba

Joist Web Size	Punch Diameter	Hole Opening Size (A)	Hole Return Flange Lip
10"	6"	6.3"	0.75"
12"	8"	8.3"	0.75"
14"	10"	10.3"	0.75"



A

B

C

D



Project

Title  
**Titan Joist**

Approved by: **C. Haba**

Checked by: **N. Mezic**

Drawn by: **T. Hurst**

Size	Code	DWG NO	REV
------	------	--------	-----

Scale	Weight	Sheet
-------	--------	-------

1

2

3

4

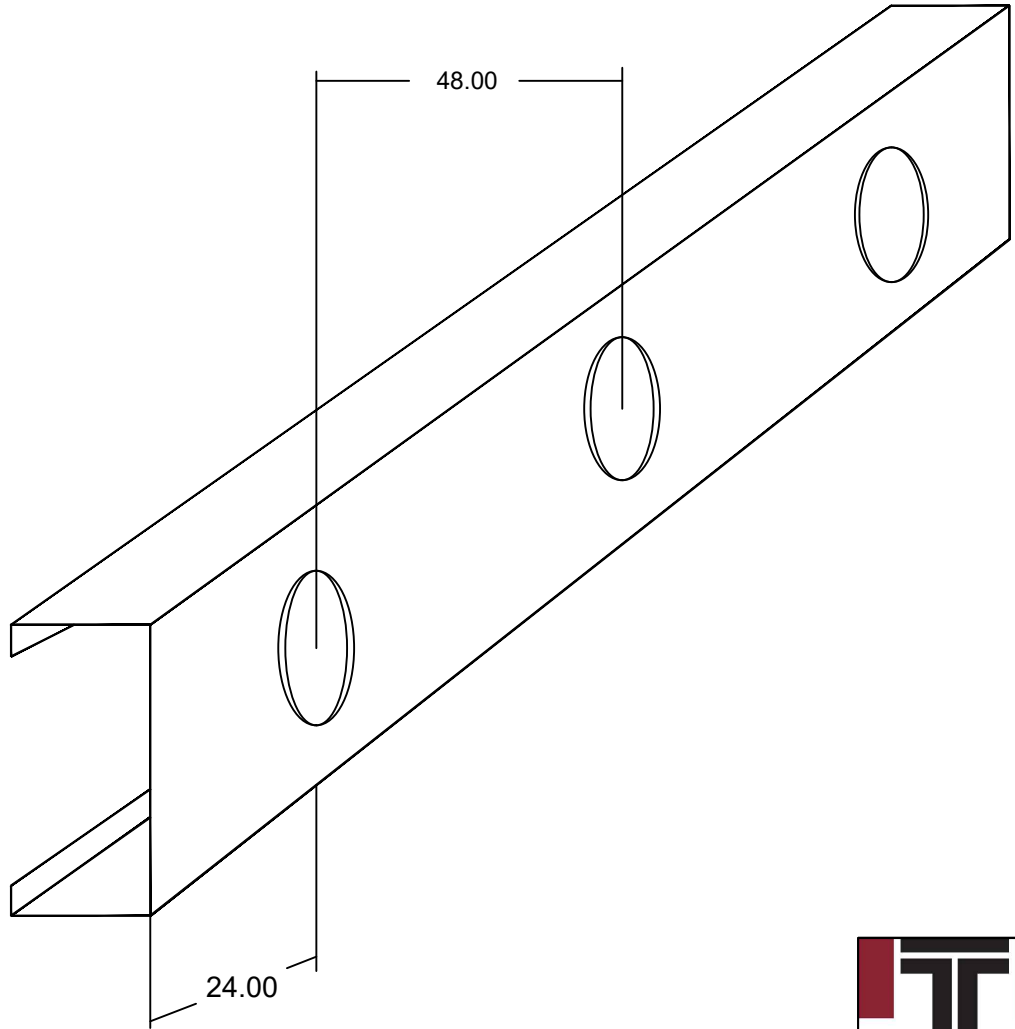
Revision			
REV	Description	Date	APVL
		10/30/23	C. Haba

A

B

C

D



Project

Title

Titan Joist

Size	Code	DWG NO	REV
------	------	--------	-----

Approved by: C. Haba

Checked by: N. Mezic

Drawn by: T. Hurst

Scale	Weight	Sheet
-------	--------	-------