

TELLING HAS THE BLOCKING YOU NEED

Blocking is metal framing's solution to provide added support within a wall.



LIGHT DUTY: T-Strap, Flat Strap.
Uses: wall sconce lighting or any non-weight bearing elements



MEDIUM DUTY: KB Clip or T-Clip
wall mounted items such as cabinets, shelves or other fixed hardware.



HEAVY DUTY: T-Block
Heavy weight bearing wall fixtures such as railings or wall mounted sinks or toilets.

SAFE, STRONG AND SECURE PERMANENT ANCHOR WITH T-BLOCK

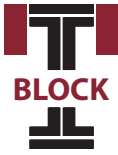
T-BLOCK offers heavy duty blocking for increased anchor strength and stability for permanent mounted fixtures.



INNOVATION, SERVICE, QUALITY

www.BuildStrong.com • 1-866-372-6384

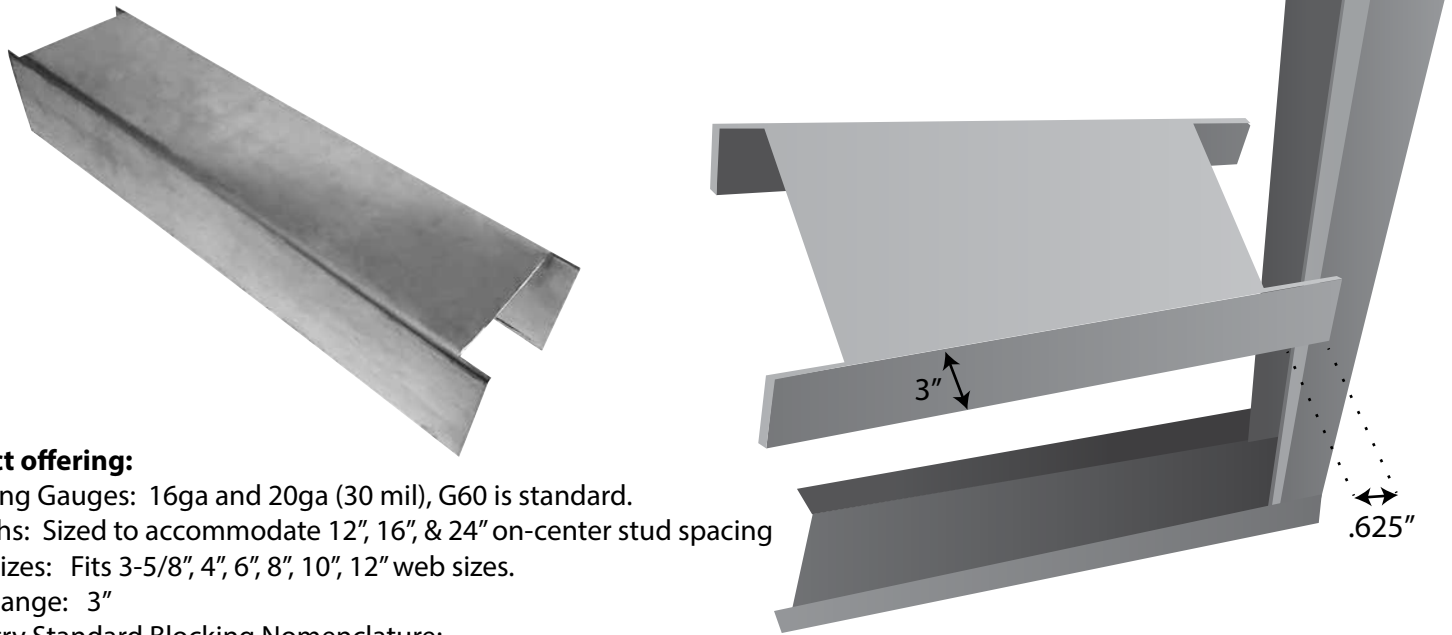




BLOCKING



Blocking a metal stud wall refers to installing a short piece of stud horizontally between the vertical studs. The purpose of blocking is to provide an attachment support point for mounted construction features like shelving, frames, cabinets, railings or other fixed hardware.



Product offering:

- Blocking Gauges: 16ga and 20ga (30 mil), G60 is standard.
- Lengths: Sized to accommodate 12", 16", & 24" on-center stud spacing
- Web Sizes: Fits 3-5/8", 4", 6", 8", 10", 12" web sizes.
- Leg/Flange: 3"
- Industry Standard Blocking Nomenclature:
TB362-300-S16-54, which is Track Blocking, 3-5/8" web, 3" flange, Stud spacing of 16" on center, 54 mils thick

T-Block Part No.	Gauge	Minimum Thickness (in)	Design Thickness (in)	Tensile Strength (KSI)	Coating	Web (in)	Flange (in)	Stud Spacing (O.C.)	Standard Packaging
TBLK362-300-S12-30	20	0.0296	0.0312	33	G40	3-5/8"	3"	12"	10pc Bundles
TBLK362-300-S16-30	20	0.0296	0.0312	33	G40	3-5/8"	3"	16"	
TBLK362-300-S24-30	20	0.0296	0.0312	33	G40	3-5/8"	3"	24"	
TBLK362-300-S12-54	16	0.0538	0.0566	50	G60	3-5/8"	3"	12"	
TBLK362-300-S16-54	16	0.0538	0.0566	50	G60	3-5/8"	3"	16"	
TBLK362-300-S24-54	16	0.0538	0.0566	50	G60	3-5/8"	3"	24"	
TBLK600-300-S12-30	20	0.0296	0.0312	33	G40	6"	3"	12"	
TBLK600-300-S16-30	20	0.0296	0.0312	33	G40	6"	3"	16"	
TBLK600-300-S24-30	20	0.0296	0.0312	33	G40	6"	3"	24"	
TBLK600-300-S12-54	16	0.0538	0.0566	50	G60	6"	3"	12"	
TBLK600-300-S16-54	16	0.0538	0.0566	50	G60	6"	3"	16"	
TBLK600-300-S24-54	16	0.0538	0.0566	50	G60	6"	3"	24"	

T-Block Item No.	Minimum Thickness (in)	Design Thickness (in)	Tensile Strength (KSI)	Web (in)	Flange (in)	Max Stud Spacing (O.C.)	Stud & Track	Allowable Load (lbf)
TBLK362-300-30	0.0296	0.0312	33	3-5/8"	3"	16"	20 ga (30 mil) Fy=33 ksi	Horizontal: 249 lbf Vertical: 339 lbs
TBLK362-300-54	0.0538	0.0566	50	3-5/8"	3"	16"	12 ga (97 mil) Fy=50 ksi	Horizontal: 647 lbf Vertical: 692 lbs
							16 ga (54 mil) Fy=50 ksi	Horizontal: 648 lbf Vertical: 926 lbs
							20 ga (30 mil) Fy=33 ksi	Horizontal: 288 lbf Vertical: 396 lbs

Blocking is connected to studs with (1) #10-16 screw at each flange

Allowable Loads were determined based on the test results and 3rd party PE reliability analysis per AISI S100-16 Chapter K



INNOVATION, SERVICE, QUALITY

www.BuildStrong.com • 1-866-372-6384

