



# KNEE WALL SUPPORT BRACKET ASSEMBLY



**THE LEADER  
IN METAL  
FRAMING  
INNOVATION**

**BUILDSTRONG.com**



# KNEE WALL INTRODUCTION



Patent Pending

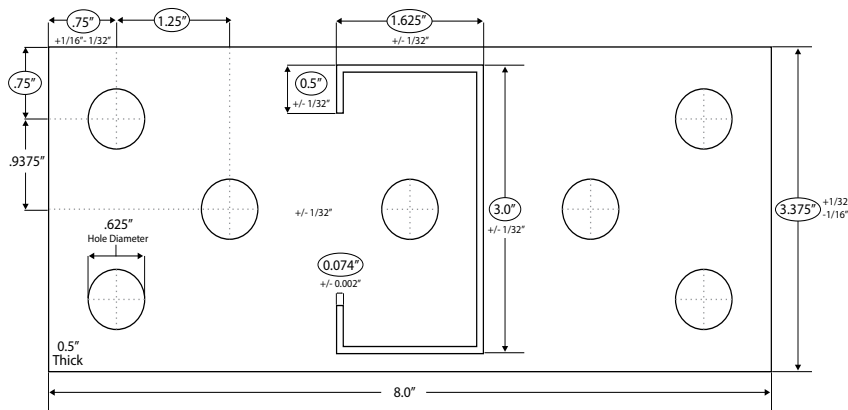
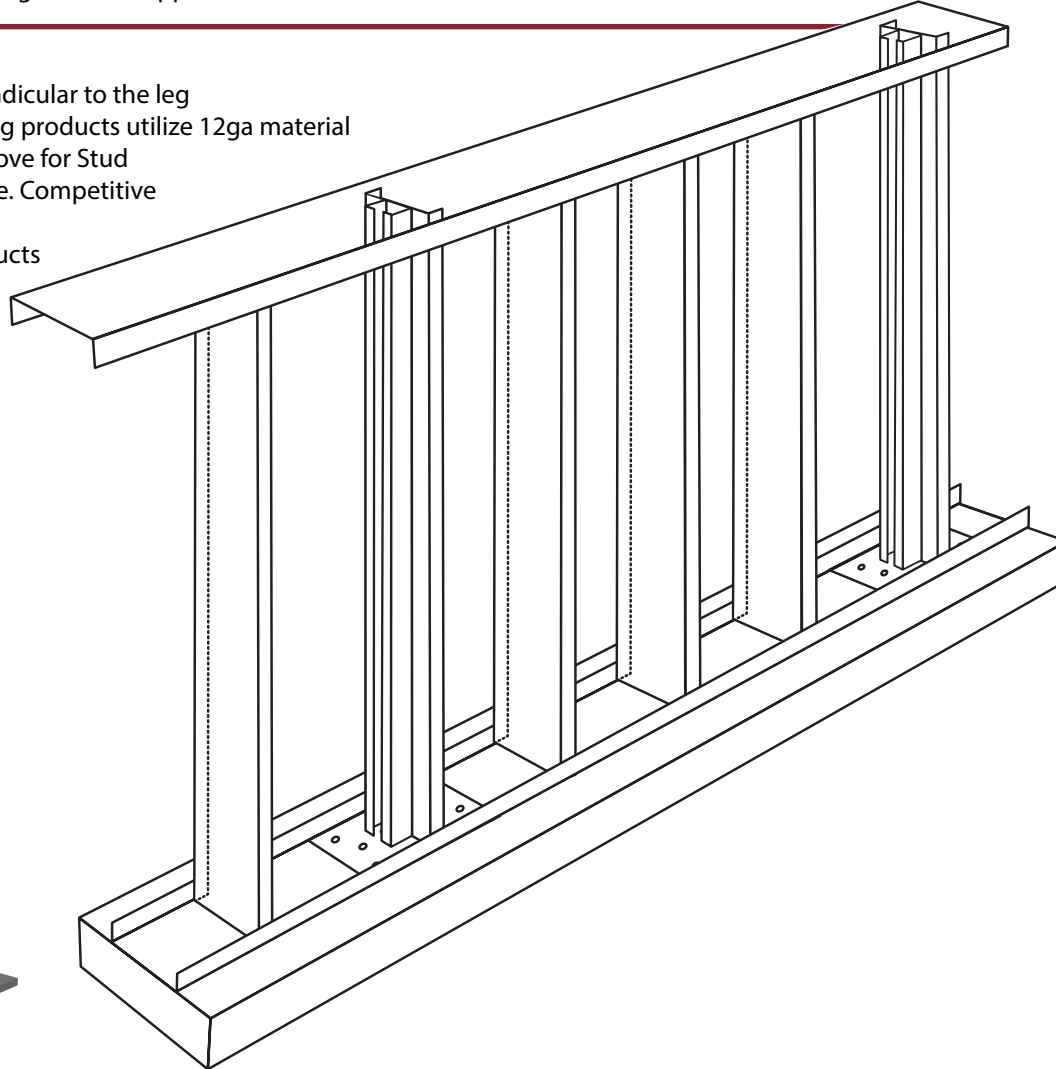
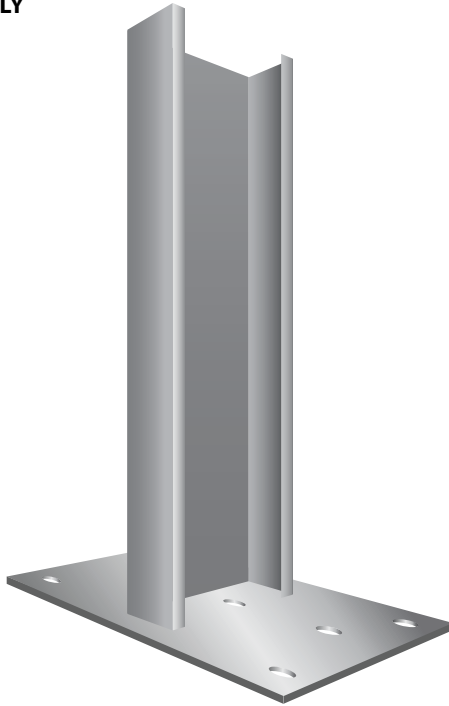
**Knee Wall Support Bracket Assembly:** What is it? An engineered system comprised of a 1/2" steel base plate welded to a 14ga structural stud.

In the construction industry, a "knee wall" is a term used to describe a short wall that is typically half the height of a full-sized wall. Also known as a "pony wall" or "cripple wall," knee walls are used for various purposes in building design, including providing structural support, dividing spaces, and enhancing aesthetic appeal.

## TELLING'S KNEE WALL STUD & BASE PLATE:

- Knee Wall Stud & Base Plate are loaded perpendicular to the leg
- Knee Wall Stud is 300S162-68 14 ga. Competing products utilize 12ga material
- Base Plate is 8" x 3-3/8" and 1/2" thick with groove for Stud
- 1 Knee Wall Stud per Support Stud & Base Plate. Competitive products utilize 2 studs per support bracket
- Higher Allowable Loads than competing products

## KNEE WALL ASSEMBLY



## BASIC INSTALLATION STEPS:

1. Secure track to floor.
2. Secure knee wall assembly with base plate to floor on top of track with the desired quantity of anchor bolts. Follow anchor bolt manufacturer's installation instructions.
3. Secure knee wall stud to welded knee wall support assembly with at least 3 rows of #10-16 screws in the top, middle, & bottom.
4. Secure top track to top of knee wall studs.



# INNOVATION, SERVICE, QUALITY

www.BuildStrong.com • 1-866-372-6384





# KNEE WALL 5.5" CONCRETE FLOOR ANCHORS



**CHART 1: 5.5" CONCRETE THICKNESS 3000 PSI, 4 ANCHORS**

| Allowable Bending Capacity (kip-in) |                   |                        |                    | <b>Knee Wall Support Stud:</b><br><b>Anchor quantity:</b><br><b>Anchor Type:</b><br><b>Anchor Size:</b><br><b>Concrete Thickness:</b><br><b>Concrete Strength (cracked)</b><br><b>Embedment:</b><br>$I_{eff}$ | 300S162-68 (50 ksi)<br>4 at each corner<br>Hilti Kwik-TZ2<br>1/2 inch<br>5.5 inches<br>3000 psi<br>3.25 inches<br>0.6720 in <sup>4</sup> |  |  |  |  |
|-------------------------------------|-------------------|------------------------|--------------------|---|--|--|--|--|--|
| Height (in)                         | Pony Wall Section | Stud to Baseplate Weld | Anchor to concrete |   |  |  |  |  |  |
| 24                                  | 14.04             | 12.66                  | 12.57              |   |  |  |  |  |  |
| 36                                  | 13.69             | 12.66                  | 12.57              |   |  |  |  |  |  |
| 48                                  | 12.50             | 12.66                  | 12.57              |   |  |  |  |  |  |

| Allowable Point Load Applied at the Top (lbf) |                      |                                  |       |       |       |       |       |       |
|---|----------------------|----------------------------------|-------|-------|-------|-------|-------|-------|
| Height (in)                                   | Strength Limit State | Combined Strength and Deflection |       |       |       |       |       |       |
|   |                      | L/90                             | L/120 | L/180 | L/240 | L/360 | L/480 | L/600 |
| 24  | 524                  | 524                              | 524   | 524   | 524   | 524   | 430   | 344   |
| 36  | 349                  | 349                              | 349   | 349   | 349   | 255   | 191   | 153   |
| 48  | 260                  | 260                              | 260   | 260   | 215   | 143   | 108   | 86    |

| Allowable Distributed Load Applied along the Wall (plf) |                      |                                  |       |       |       |       |       |       |
|---|----------------------|----------------------------------|-------|-------|-------|-------|-------|-------|
| Height (in)   | Strength Limit State | Combined Strength and Deflection |       |       |       |       |       |       |
|   |                      | L/90                             | L/120 | L/180 | L/240 | L/360 | L/480 | L/600 |
| 24  | 524                  | 524                              | 524   | 524   | 524   | 524   | 524   | 459   |
| 36  | 233                  | 233                              | 233   | 233   | 233   | 227   | 170   | 136   |
| 48  | 130                  | 130                              | 130   | 130   | 130   | 96    | 72    | 57    |

**CHART 2: 5.5" CONCRETE THICKNESS 3000 PSI, 2 ANCHORS**

| Allowable Bending Capacity (kip-in) |                   |                        |                    | <b>Knee Wall Support Stud:</b><br><b>Anchor quantity:</b><br><b>Anchor Type:</b><br><b>Anchor Size:</b><br><b>Concrete Thickness:</b><br><b>Concrete Strength (cracked)</b><br><b>Embedment:</b><br>$I_{eff}$ | 300S162-68 (50 ksi)<br>2 in center<br>Hilti Kwik-TZ2<br>1/2 inch<br>5.5 inches<br>3000 psi<br>3.25 inches<br>0.6720 in <sup>4</sup> |  |  |  |  |
|-------------------------------------|-------------------|------------------------|--------------------|---|---|--|--|--|--|
| Height (in)                         | Pony Wall Section | Stud to Baseplate Weld | Anchor to concrete |   |   |  |  |  |  |
| 24                                  | 14.04             | 12.66                  | 7.72               |   |   |  |  |  |  |
| 36                                  | 13.69             | 12.66                  | 7.72               |   |   |  |  |  |  |
| 48                                  | 12.50             | 12.66                  | 7.72               |   |   |  |  |  |  |

| Allowable Point Load Applied at the Top (lbf) |                      |                                  |       |       |       |       |       |       |
|---|----------------------|----------------------------------|-------|-------|-------|-------|-------|-------|
| Height (in)                                   | Strength Limit State | Combined Strength and Deflection |       |       |       |       |       |       |
|   |                      | L/90                             | L/120 | L/180 | L/240 | L/360 | L/480 | L/600 |
| 24  | 322                  | 322                              | 322   | 322   | 322   | 322   | 322   | 322   |
| 36  | 214                  | 214                              | 214   | 214   | 214   | 214   | 192   | 154   |
| 48  | 161                  | 161                              | 161   | 161   | 161   | 143   | 108   | 86    |

| Allowable Distributed Load Applied along the Wall (plf) |                      |                                  |       |       |       |       |       |       |
|---|----------------------|----------------------------------|-------|-------|-------|-------|-------|-------|
| Height (in)   | Strength Limit State | Combined Strength and Deflection |       |       |       |       |       |       |
|   |                      | L/90                             | L/120 | L/180 | L/240 | L/360 | L/480 | L/600 |
| 24  | 322                  | 322                              | 322   | 322   | 322   | 322   | 322   | 322   |
| 36  | 143                  | 143                              | 143   | 143   | 143   | 143   | 143   | 136   |
| 48  | 80                   | 80                               | 80    | 80    | 80    | 80    | 72    | 57    |



**INNOVATION, SERVICE, QUALITY**

[www.BuildStrong.com](http://www.BuildStrong.com) • 1-866-372-6384





# KNEE WALL 4" & 5.5" CONCRETE FLOOR ANCHORS



**CHART 3: 5.5" CONCRETE THICKNESS 3000 PSI, 1 ANCHOR**

| Allowable Bending Capacity (kip-in)                     |                      |                                  |                    | <b>Knee Wall Support Stud:</b> 300S162-68 (50 ksi)<br><b>Anchor quantity:</b> 1 in center<br><b>Anchor Type:</b> Hilti Kwik-TZ2<br><b>Anchor Size:</b> 1/2 inch<br><b>Concrete Thickness:</b> 5.5 inches<br><b>Concrete Strength (cracked):</b> 3000 psi<br><b>Embedment:</b> 3.25 inches<br>$I_{eff}$ 0.6720 in <sup>4</sup> |       |       |       |       |  |
|---|----------------------|----------------------------------|--------------------|---|-------|-------|-------|-------|--|
| Height (in)   | Pony Wall Section    | Stud to Baseplate Weld           | Anchor to concrete |   |       |       |       |       |  |
| 24  | 14.04                | 12.66                            | 5.26               |   |       |       |       |       |  |
| 36  | 13.69                | 12.66                            | 5.26               |   |       |       |       |       |  |
| 48  | 12.50                | 12.66                            | 5.26               |   |       |       |       |       |  |
| Allowable Point Load Applied at the Top (lbf)           |                      |                                  |                    |   |       |       |       |       |  |
| Height (in)   | Strength Limit State | Combined Strength and Deflection |                    |   |       |       |       |       |  |
|   |                      | L/90                             | L/120              | L/180   | L/240 | L/360 | L/480 | L/600 |  |
| 24  | 219                  | 219                              | 219                | 219   | 219   | 219   | 219   | 219   |  |
| 36  | 146                  | 146                              | 146                | 146   | 146   | 146   | 146   | 146   |  |
| 48  | 110                  | 110                              | 110                | 110   | 110   | 110   | 108   | 86    |  |
| Allowable Distributed Load Applied along the Wall (plf) |                      |                                  |                    |   |       |       |       |       |  |
| Height (in)   | Strength Limit State | Combined Strength and Deflection |                    |   |       |       |       |       |  |
|   |                      | L/90                             | L/120              | L/180   | L/240 | L/360 | L/480 | L/600 |  |
| 24  | 219                  | 219                              | 219                | 219   | 219   | 219   | 219   | 219   |  |
| 36  | 97                   | 97                               | 97                 | 97  | 97    | 97    | 97    | 97    |  |
| 48  | 55                   | 55                               | 55                 | 55  | 55    | 55    | 55    | 55    |  |

**CHART 4: 4" CONCRETE THICKNESS 3500PSI, 4 ANCHORS**

| Allowable Bending Capacity (kip-in)                     |                      |                                  |                    | <b>Knee Wall Support Stud:</b> 300S162-68 (50 ksi)<br><b>Anchor quantity:</b> 4 at each corner<br><b>Anchor Type:</b> Hilti Kwik-TZ2<br><b>Anchor Size:</b> 1/2 inch<br><b>Concrete Thickness:</b> 4.0 inches<br><b>Concrete Strength (cracked):</b> 3500 psi<br><b>Embedment:</b> 2.5 inches<br>$I_{eff}$ 0.6720 in <sup>4</sup> |       |       |       |       |  |
|---|----------------------|----------------------------------|--------------------|---|-------|-------|-------|-------|--|
| Height (in)   | Pony Wall Section    | Stud to Baseplate Weld           | Anchor to concrete |   |       |       |       |       |  |
| 24  | 14.04                | 12.66                            | 9.80               |   |       |       |       |       |  |
| 36  | 13.69                | 12.66                            | 9.80               |   |       |       |       |       |  |
| 48  | 12.50                | 12.66                            | 9.80               |   |       |       |       |       |  |
| Allowable Point Load Applied at the Top (lbf)           |                      |                                  |                    |   |       |       |       |       |  |
| Height (in)   | Strength Limit State | Combined Strength and Deflection |                    |   |       |       |       |       |  |
|   |                      | L/90                             | L/120              | L/180   | L/240 | L/360 | L/480 | L/600 |  |
| 24  | 408                  | 408                              | 408                | 408   | 408   | 408   | 408   | 344   |  |
| 36  | 272                  | 272                              | 272                | 272   | 272   | 255   | 191   | 153   |  |
| 48  | 204                  | 204                              | 204                | 204   | 204   | 143   | 108   | 86    |  |
| Allowable Distributed Load Applied along the Wall (plf) |                      |                                  |                    |   |       |       |       |       |  |
| Height (in)   | Strength Limit State | Combined Strength and Deflection |                    |   |       |       |       |       |  |
|   |                      | L/90                             | L/120              | L/180   | L/240 | L/360 | L/480 | L/600 |  |
| 24  | 408                  | 408                              | 408                | 408   | 408   | 408   | 408   | 408   |  |
| 36  | 181                  | 181                              | 181                | 181   | 181   | 181   | 170   | 136   |  |
| 48  | 102                  | 102                              | 102                | 102   | 102   | 96    | 72    | 57    |  |



**INNOVATION, SERVICE, QUALITY**

www.BuildStrong.com • 1-866-372-6384





# KNEE WALL 4" CONCRETE FLOOR ANCHORS



**CHART 5: 4" CONCRETE THICKNESS 3000PSI, 4 ANCHORS (HILTI KWIK-TZ2)**

| Allowable Bending Capacity (kip-in)                     |                      |                                  |                    | <b>Knee Wall Support Stud:</b><br>300S162-68 (50 ksi)<br><b>Anchor quantity:</b><br>4 at each corner<br><b>Anchor Type:</b><br>Hilti Kwik-TZ2<br><b>Anchor Size:</b><br>1/2 inch<br><b>Concrete Thickness:</b><br>4.0 inches<br><b>Concrete Strength (cracked)</b><br>3000 psi<br><b>Embedment:</b><br>2.5 inches<br>$I_{eff}$<br>0.6720 in <sup>4</sup> |       |       |       |       |  |
|---|----------------------|----------------------------------|--------------------|--|-------|-------|-------|-------|--|
| Height (in)   | Pony Wall Section    | Stud to Baseplate Weld           | Anchor to concrete |  |       |       |       |       |  |
| 24  | 14.04                | 12.66                            | 9.08               |  |       |       |       |       |  |
| 36  | 13.69                | 12.66                            | 9.08               |  |       |       |       |       |  |
| 48  | 12.50                | 12.66                            | 9.08               |  |       |       |       |       |  |
| Allowable Point Load Applied at the Top (lbf)           |                      |                                  |                    |  |       |       |       |       |  |
| Height (in)   | Strength Limit State | Combined Strength and Deflection |                    |  |       |       |       |       |  |
|   |                      | L/90                             | L/120              | L/180  | L/240 | L/360 | L/480 | L/600 |  |
| 24  | 378                  | 378                              | 378                | 378  | 378   | 378   | 378   | 344   |  |
| 36  | 252                  | 252                              | 252                | 252  | 252   | 252   | 191   | 153   |  |
| 48  | 189                  | 189                              | 189                | 189  | 189   | 143   | 108   | 86    |  |
| Allowable Distributed Load Applied along the Wall (plf) |                      |                                  |                    |  |       |       |       |       |  |
| Height (in)   | Strength Limit State | Combined Strength and Deflection |                    |  |       |       |       |       |  |
|   |                      | L/90                             | L/120              | L/180  | L/240 | L/360 | L/480 | L/600 |  |
| 24  | 378                  | 378                              | 378                | 378  | 378   | 378   | 378   | 378   |  |
| 36  | 168                  | 168                              | 168                | 168  | 168   | 168   | 168   | 136   |  |
| 48  | 95                   | 95                               | 95                 | 95   | 95    | 95    | 72    | 57    |  |

**CHART 6: 4" CONCRETE THICKNESS 3000PSI, 4 ANCHORS (HILTI HY 200V3)**

| Allowable Bending Capacity (kip-in)                     |                      |                                  |                    | <b>Knee Wall Support Stud:</b><br>300S162-68 (50 ksi)<br><b>Anchor quantity:</b><br>4 at each corner<br><b>Anchor Type:</b><br>Hilti-HY 200 V3<br><b>Anchor Size:</b><br>1/2 inch<br><b>Concrete Thickness:</b><br>4.0 inches<br><b>Concrete Strength (cracked)</b><br>3000 psi<br><b>Embedment:</b><br>2.5 inches<br>$I_{eff}$<br>0.6720 in <sup>4</sup> |       |       |       |       |  |
|---|----------------------|----------------------------------|--------------------|---|-------|-------|-------|-------|--|
| Height (in)   | Pony Wall Section    | Stud to Baseplate Weld           | Anchor to concrete |   |       |       |       |       |  |
| 24  | 14.04                | 12.66                            | 10.67              |   |       |       |       |       |  |
| 36  | 13.69                | 12.66                            | 10.67              |   |       |       |       |       |  |
| 48  | 12.50                | 12.66                            | 10.67              |   |       |       |       |       |  |
| Allowable Point Load Applied at the Top (lbf)           |                      |                                  |                    |   |       |       |       |       |  |
| Height (in)   | Strength Limit State | Combined Strength and Deflection |                    |   |       |       |       |       |  |
|   |                      | L/90                             | L/120              | L/180   | L/240 | L/360 | L/480 | L/600 |  |
| 24  | 445                  | 445                              | 445                | 445   | 445   | 445   | 430   | 344   |  |
| 36  | 296                  | 296                              | 296                | 296   | 296   | 255   | 191   | 153   |  |
| 48  | 222                  | 222                              | 222                | 222   | 215   | 143   | 108   | 86    |  |
| Allowable Distributed Load Applied along the Wall (plf) |                      |                                  |                    |   |       |       |       |       |  |
| Height (in)   | Strength Limit State | Combined Strength and Deflection |                    |   |       |       |       |       |  |
|   |                      | L/90                             | L/120              | L/180   | L/240 | L/360 | L/480 | L/600 |  |
| 24  | 445                  | 445                              | 445                | 445   | 445   | 445   | 445   | 445   |  |
| 36  | 198                  | 198                              | 198                | 198   | 198   | 198   | 170   | 136   |  |
| 48  | 111                  | 111                              | 111                | 111   | 111   | 96    | 72    | 57    |  |



**INNOVATION, SERVICE, QUALITY**

[www.BuildStrong.com](http://www.BuildStrong.com) • 1-866-372-6384





# KNEE WALL 4" CONCRETE FLOOR ANCHORS



**CHART 7: 4" CONCRETE THICKNESS 3000PSI, 2 ANCHORS**

| Allowable Bending Capacity (kip-in) |                   |                        |                    | <b>Knee Wall Support Stud:</b> 300S162-68 (50 ksi)<br><b>Anchor quantity:</b> 2 in center<br><b>Anchor Type:</b> Hilti Kwik-TZ2<br><b>Anchor Size:</b> 1/2 inch<br><b>Concrete Thickness:</b> 4.0 inches<br><b>Concrete Strength (cracked):</b> 3000 psi<br><b>Embedment:</b> 2.5 inches<br>$I_{eff}$ 0.6720 in <sup>4</sup> |  |  |  |  |  |
|-------------------------------------|-------------------|------------------------|--------------------|--|--|--|--|--|--|
| Height (in)                         | Pony Wall Section | Stud to Baseplate Weld | Anchor to concrete |  |  |  |  |  |  |
| 24                                  | 14.04             | 12.66                  | 5.71               |  |  |  |  |  |  |
| 36                                  | 13.69             | 12.66                  | 5.71               |  |  |  |  |  |  |
| 48                                  | 12.50             | 12.66                  | 5.71               |  |  |  |  |  |  |

| Allowable Point Load Applied at the Top (lbf) |                      |                                  |       |       |       |       |       |       |
|---|----------------------|----------------------------------|-------|-------|-------|-------|-------|-------|
| Height (in)                                   | Strength Limit State | Combined Strength and Deflection |       |       |       |       |       |       |
|   |                      | L/90                             | L/120 | L/180 | L/240 | L/360 | L/480 | L/600 |
| 24  | 238                  | 238                              | 238   | 238   | 238   | 238   | 238   | 238   |
| 36  | 159                  | 159                              | 159   | 159   | 159   | 159   | 159   | 153   |
| 48  | 119                  | 119                              | 119   | 119   | 119   | 119   | 108   | 86    |

| Allowable Distributed Load Applied along the Wall (plf) |                      |                                  |       |       |       |       |       |       |
|---|----------------------|----------------------------------|-------|-------|-------|-------|-------|-------|
| Height (in)   | Strength Limit State | Combined Strength and Deflection |       |       |       |       |       |       |
|   |                      | L/90                             | L/120 | L/180 | L/240 | L/360 | L/480 | L/600 |
| 24  | 238                  | 238                              | 238   | 238   | 238   | 238   | 238   | 238   |
| 36  | 106                  | 106                              | 106   | 106   | 106   | 106   | 106   | 106   |
| 48  | 59                   | 59                               | 59    | 59    | 59    | 59    | 59    | 57    |

**CHART 8: 4" CONCRETE THICKNESS 3000PSI, 1 ANCHOR**

| Allowable Bending Capacity (kip-in) |                   |                        |                    | <b>Knee Wall Support Stud:</b> 300S162-68 (50 ksi)<br><b>Anchor quantity:</b> 1 in center<br><b>Anchor Type:</b> Hilti Kwik-TZ2<br><b>Anchor Size:</b> 1/2 inch<br><b>Concrete Thickness:</b> 4.0 inches<br><b>Concrete Strength (cracked):</b> 3000 psi<br><b>Embedment:</b> 2.5 inches<br>$I_{eff}$ 0.6720 in <sup>4</sup> |  |  |  |  |  |
|-------------------------------------|-------------------|------------------------|--------------------|--|--|--|--|--|--|
| Height (in)                         | Pony Wall Section | Stud to Baseplate Weld | Anchor to concrete |  |  |  |  |  |  |
| 24                                  | 14.04             | 12.66                  | 4.00               |  |  |  |  |  |  |
| 36                                  | 13.69             | 12.66                  | 4.00               |  |  |  |  |  |  |
| 48                                  | 12.50             | 12.66                  | 4.00               |  |  |  |  |  |  |

| Allowable Point Load Applied at the Top (lbf) |                      |                                  |       |       |       |       |       |       |
|---|----------------------|----------------------------------|-------|-------|-------|-------|-------|-------|
| Height (in)                                   | Strength Limit State | Combined Strength and Deflection |       |       |       |       |       |       |
|   |                      | L/90                             | L/120 | L/180 | L/240 | L/360 | L/480 | L/600 |
| 24  | 167                  | 167                              | 167   | 167   | 167   | 167   | 167   | 167   |
| 36  | 111                  | 111                              | 111   | 111   | 111   | 111   | 111   | 111   |
| 48  | 83                   | 83                               | 83    | 83    | 83    | 83    | 83    | 83    |

| Allowable Distributed Load Applied along the Wall (plf) |                      |                                  |       |       |       |       |       |       |
|---|----------------------|----------------------------------|-------|-------|-------|-------|-------|-------|
| Height (in)   | Strength Limit State | Combined Strength and Deflection |       |       |       |       |       |       |
|   |                      | L/90                             | L/120 | L/180 | L/240 | L/360 | L/480 | L/600 |
| 24  | 167                  | 167                              | 167   | 167   | 167   | 167   | 167   | 167   |
| 36  | 74                   | 74                               | 74    | 74    | 74    | 74    | 74    | 74    |
| 48  | 42                   | 42                               | 42    | 42    | 42    | 42    | 42    | 42    |

**Notes:**

- Telling Knee Wall is to support out-of-plane loading of Partial Walls or Pony Walls.
- Allowable loads are calculated based on Allowable Stress Design (ASD) approach in AISI-S100-16.
- Allowable loads are based on deflection of the Knee Wall Stud only.
- Knee Wall allowable bending capacity are the minimum of Knee Wall Stud bending capacity and Knee Wall Stud to base plate weld capacity.
- Shaded cells in the design tables indicate that the design is controlled by deflection limits.
- Allowable loads have not been increased for wind, seismic, or other factors.
- Allowable Bending Capacity for specific anchors, configuration and concrete thickness are listed for quick reference. Other anchors may be used by designers for different conditions.
- Hilti is the trademark of Hilti Aktiengesellschaft Corporation.
- Other anchors may be used but must be designed separately.
- It is the designer's responsibility to check the effects of edge distance, minimum concrete thickness and concrete strength on anchor capacity.
- Effect of anchor and base plate deformations are not considered in deflection calculations.



**INNOVATION, SERVICE, QUALITY**

[www.BuildStrong.com](http://www.BuildStrong.com) • 1-866-372-6384





**TELLING PROUDLY MANUFACTURES PREMIUM METAL FRAMING & ACCESSORIES WITH HIGH CALIBER, RESPONSIVE CUSTOMER SERVICE TO MATCH!**



## **GET IT FAST!**

Most standard products are available for next day shipment

## **QUALITY & SERVICE:**

The Telling Plants Have High Quality Service!

# **Less than 1% Back Orders!**

**NEED PRODUCT INFORMATION,  
ENGINEERING HELP  
OR ANYTHING ELSE?**

**YOUR INSIDE SALES REPRESENTATIVE  
IS READY TO HELP!**

Technical information and CAD drawings available at

[www.BuildStrong.com](http://www.BuildStrong.com) | 



# **INNOVATION, SERVICE, QUALITY**

[www.BuildStrong.com](http://www.BuildStrong.com) • 1-866-372-6384





**THE LEADER  
IN METAL  
FRAMING  
INNOVATION**

**BUILDSTRONG.com**



Technical information and CAD drawings available at  
[www.BuildStrong.com](http://www.BuildStrong.com) | **ARCAT**



**CORPORATE HEADQUARTERS:** 4420 Sherwin Road Willoughby, OH 44094

**E-mail:** [sales.corp@tellingindustries.com](mailto:sales.corp@tellingindustries.com) | **Phone:** 440-974-3370 | **Toll Free:** 866-372-6384 | **Fax:** 440-974-3408

**MIDWEST FACILITY:** 2105 Larrick Road Cambridge, OH 43725

**E-mail:** [sales.corp@tellingindustries.com](mailto:sales.corp@tellingindustries.com) | **Phone:** 740-435-8900 | **Toll Free:** 866-357-8837 | **Fax:** 740-435-8915

**NORTHEAST FACILITY:** 1050 Kennedy Road Windsor, CT 06095

**E-mail:** [sales.corp@tellingindustries.com](mailto:sales.corp@tellingindustries.com) | **Phone:** 860-731-7975 | **Toll Free:** 866-372-6384 | **Fax:** 860-731-7976

**MIDSOUTH FACILITY:** 1400 Southwire Drive Osceola, AR 72370

**E-mail:** [sales.corp@tellingindustries.com](mailto:sales.corp@tellingindustries.com) | **Phone:** 870-563-6065 | **Toll Free:** 888-711-3124

**SOUTHEAST FACILITY:** 1200 W Martin Luther King Blvd, Plant City, FL 33563

**E-mail:** [sales.corp@tellingindustries.com](mailto:sales.corp@tellingindustries.com) | **Phone:** 440-974-3370 | **Toll Free:** 866-FRAME-TI (372-6384) | **Fax:** 440-974-3408

Updated 8-21-24

**ENGINEERING AND DESIGN SERVICES (QUOTED) & TECHNICAL SERVICES (FREE)**

[technical@tellingindustries.com](mailto:technical@tellingindustries.com)

1-866-372-6384  
440-478-8625 (direct)