



TRC - TELLING RIGID CLIPS



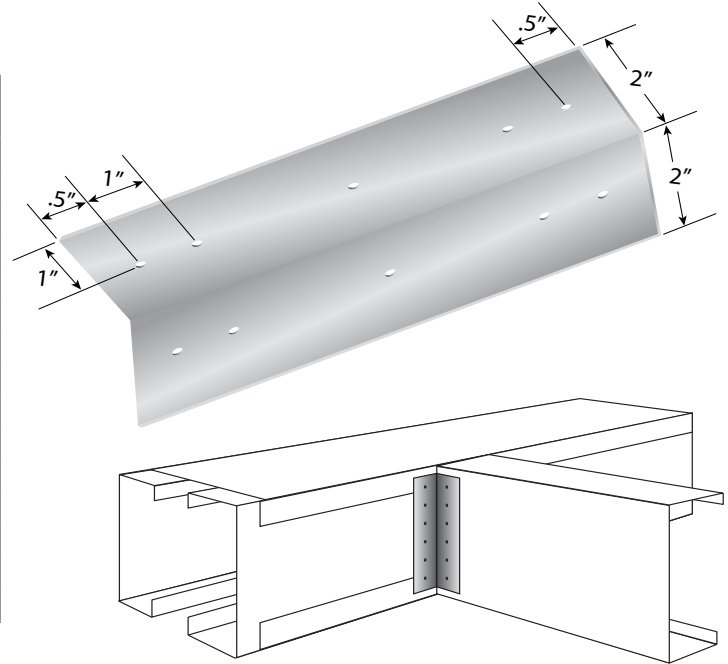
CLIPS

Telling Industries manufactures an extensive line of Metal Framing Connectors and Clips. Standard gauges and sizes are complimented with specialized and custom fabricated Clips to meet all your Metal Framing needs and available in standard G60 and optional G90 coatings. All Telling products, including Metal Framing Connectors, are proudly made in the USA.

TRC A Series Rigid Right Angle Clips

Predominately Used to Attach Metal Framing to Metal Framing

Section	Clip Thickness	Leg Length (in)	Clip Length (in)	BKT Quantity
TRC223	0.0538" (16ga)	2" x 2"	3.0"	150
	0.0677" (14ga)			
	0.0966" (12ga)			
TRC225	0.0538" (16ga)	2" x 2"	5.0"	120
	0.0677" (14ga)			
	0.0966" (12ga)			
TRC227	0.0538" (16ga)	2" x 2"	7.0"	100
	0.0677" (14ga)			
	0.0966" (12ga)			
TRC229	0.0538" (16ga)	2" x 2"	9.0"	75
	0.0677" (14ga)			
	0.0966" (12ga)			
TRC2211	0.0538" (16ga)	2" x 2"	11.0"	30
	0.0677" (14ga)			
	0.0966" (12ga)			

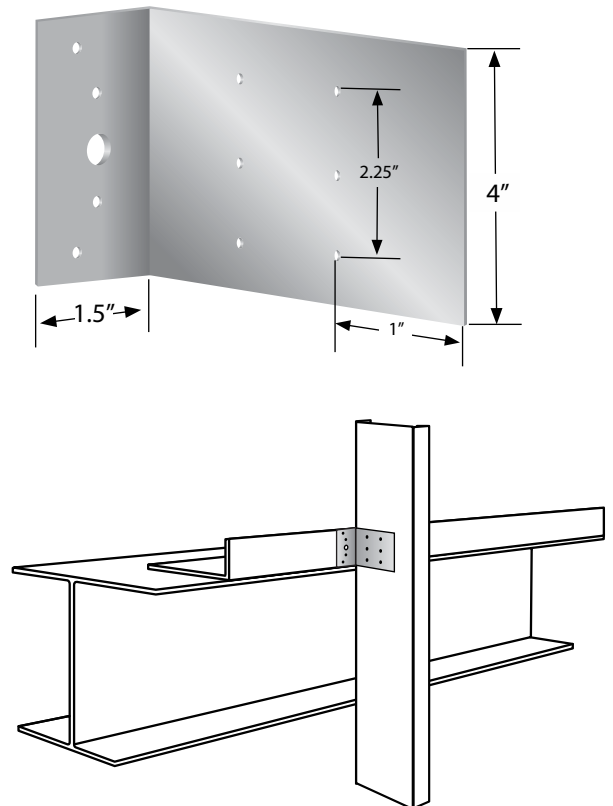


Clip allowable load data is available and 3rd party PE validated.

TRC B Series Rigid Right Angle Clips

predominately used to attach Metal Framing to Metal Framing

Section	Clip Thickness	Leg Length (in)	Clip Length (in)	BKT Quantity
TRC133	0.0538" (16ga)	1.5" x 3"	3.0"	150
	0.0677" (14ga)			
	0.0966" (12ga)			
TRC143	0.0538" (16ga)	1.5" x 4"	3.5"	120
	0.0677" (14ga)			
	0.0966" (12ga)			
TRC145	0.0538" (16ga)	1.5" x 4"	5.5"	100
	0.0677" (14ga)			
	0.0966" (12ga)			
TRC147	0.0538" (16ga)	1.5" x 4"	7.5"	100
	0.0677" (14ga)			
	0.0966" (12ga)			
TRC149	0.0538" (16ga)	1.5" x 4"	9.5"	75
	0.0677" (14ga)			
	0.0966" (12ga)			
TRC1411	0.0538" (16ga)	1.5" x 4"	11.5"	30
	0.0677" (14ga)			
	0.0966" (12ga)			
TRC156	0.0538" (16ga)	1.5" x 5"	6.0"	50
	0.0677" (14ga)			
	0.0966" (12ga)			
TRC173	0.0538" (16ga)	1.5" x 7"	3.0"	50
	0.0677" (14ga)			
	0.0966" (12ga)			



*All Sales are subject to Telling's Terms & Conditions found at www.buildstrong.com. Prices are subject to change without further notice. Please contact your Telling Sales Representative for further inquiries.

**Prices Listed are for each G60 clip when sold in BUCKET quantities. Individual (EA) cost on the clips will be +5% from the bucket price.



INNOVATION, SERVICE, QUALITY

www.BuildStrong.com • 1-866-372-6384



TELLING, THE CUSTOM CLIP EXPERT!

NEED SOMETHING SPECIAL? WE CAN DO IT!



We can drill and bend any darn thing!

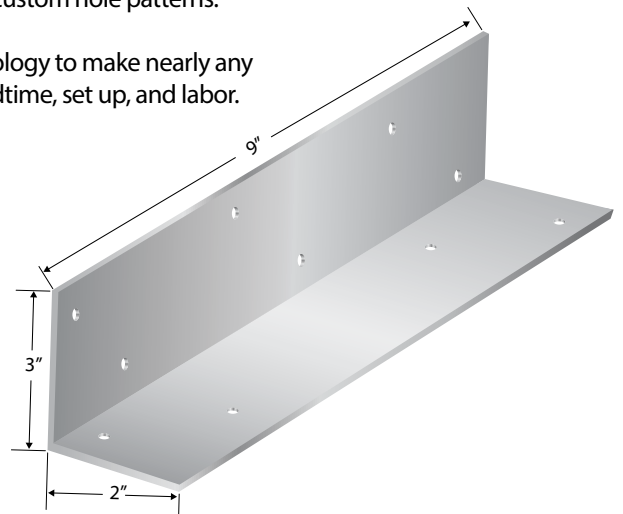
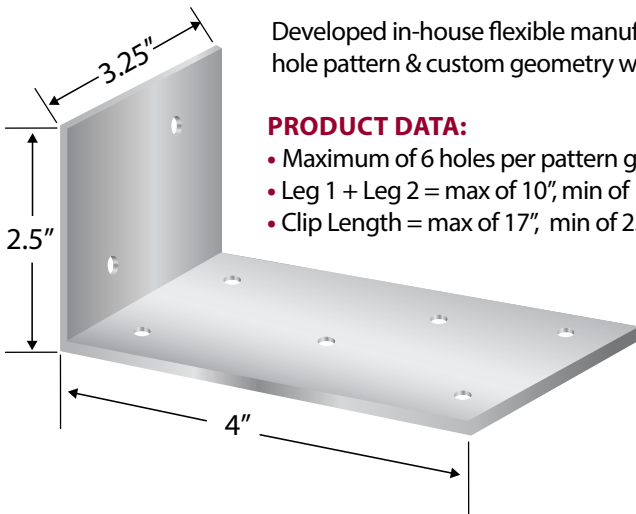
CUSTOM LENGTHS AND HOLE PATTERNS

Illustration is an example of 1 of 1000's of possible custom hole patterns.

Developed in-house flexible manufacturing technology to make nearly any hole pattern & custom geometry with minimal leadtime, set up, and labor.

PRODUCT DATA:

- Maximum of 6 holes per pattern grouping
- Leg 1 + Leg 2 = max of 10", min of 1.5".
- Clip Length = max of 17", min of 2.0"



If your project needs connectors not shown in this catalog, please contact your inside sales rep or send an inquiry to www.buildstrong.com.



INNOVATION, SERVICE, QUALITY

www.BuildStrong.com • 1-866-372-6384

